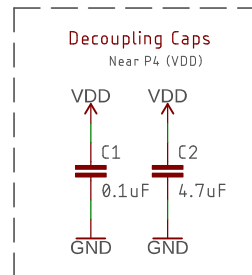
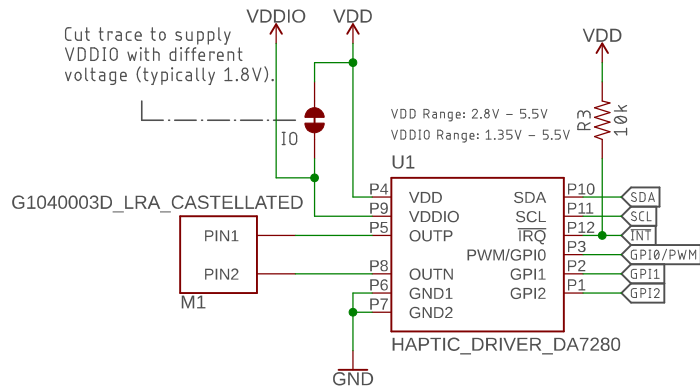
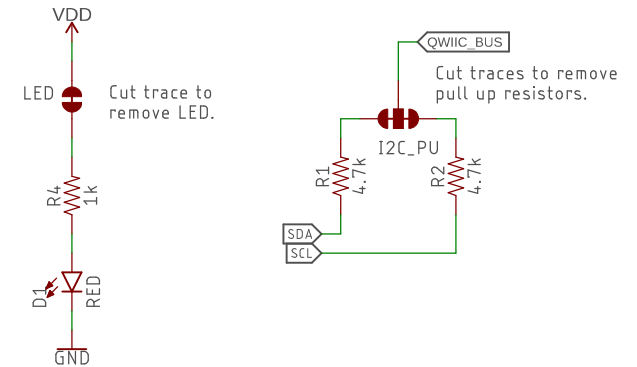


Haptic Motor Driver and LRA Vibration Motor

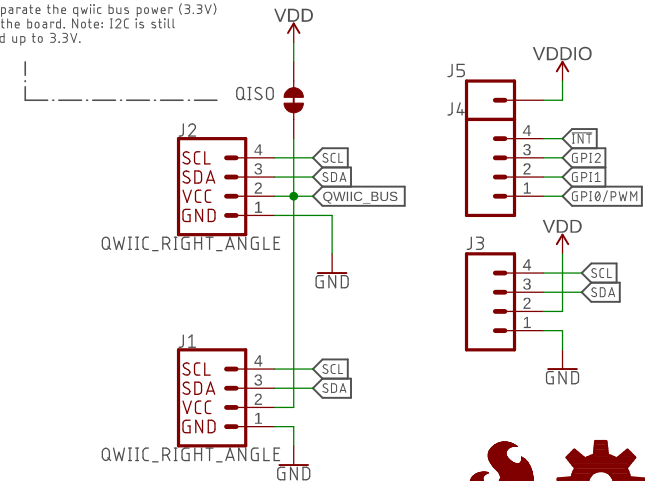


Jumpers



Qwiic Connectors and Header

Qwiic Bus Isolate - cut this trace to separate the qwiic bus power (3.3V) from the board. Note: I2C is still pulled up to 3.3V.



QWIIIC



Released under the Creative Commons

Attribution Share-Alike 4.0 License

<https://creativecommons.org/licenses/by-sa/4.0/>



TITLE: Qwiic_Haptic_Driver_DA7280

Special Instructions

Design by: Elias Santistevan

REV:
v10

Date: 4/2/2021 4:29 PM

Sheet: 1/1