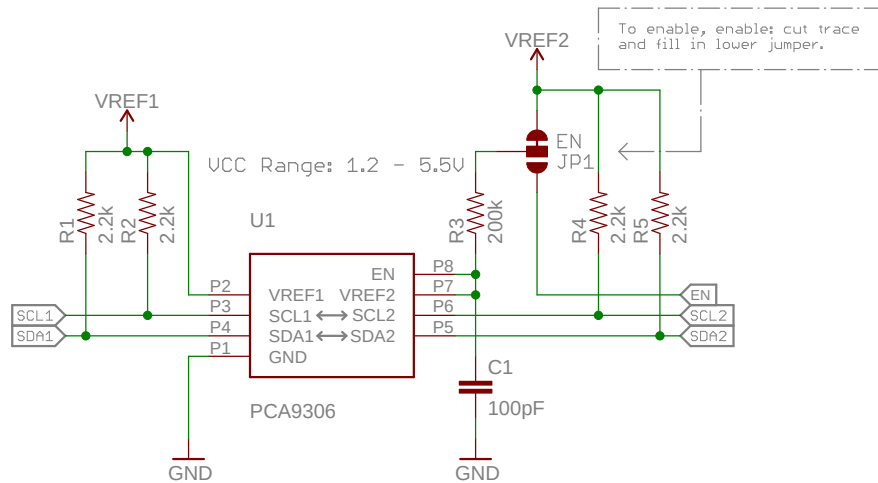


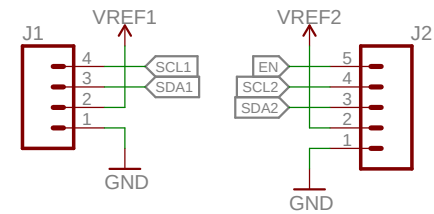
Logic Level Translator PCA9306



Level Translation

VREF1	VREF2
1.2V	1.8, 2.5, 3.3, 5V
1.8V	2.5, 3.3, 5V
2.5V	3.3, 5V
3.3V	5V

Headers



Released under the Creative Commons Attribution Share-Alike 4.0 License https://creativecommons.org/licenses/by-sa/4.0/		CC BY SA
TITLE: SparkFun_Level_Translator_PCA9306		
Design by: T. Klopfenstein Revised by: Elias Santistevan		REV: v20
Date: 6/20/2019 10:04 AM	Sheet: 1/1	