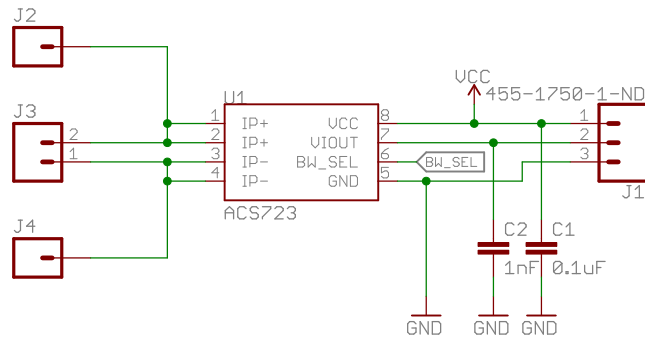


ACS723LLCTR-05AB-T2



NOTES:

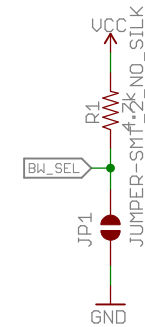
UCC: 4.5V-5.5V

Current Range: +/-5A

Zero Current Output Voltage = UCC x 0.5

Sensitivity (-5A(min) < Current Sensed < 5A(max)) = 400mV/A

Bandwidth Select



JP1 (Sets bandwidth):
OPEN = 20kHz Low Noise (default)
CLOSED = 80kHz



Released under the Creative Commons Attribution Share-Alike 4.0 License 
<https://creativecommons.org/licenses/by-sa/4.0/> 

TITLE: SparkFun_ACS723_Current_Sensor_Breakout

Design by: Pete Dokter
Revision By: Eric Orosel

REV:
v10

Date: 6/20/2018 6:17 AM

Sheet: 1/1