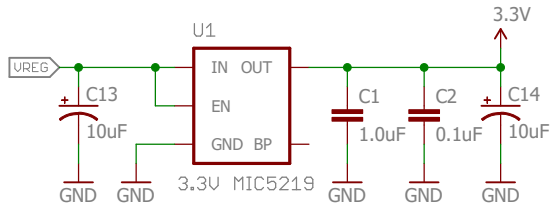
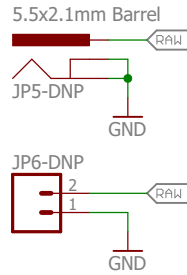


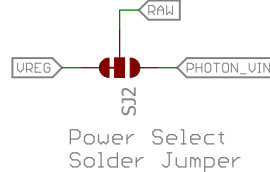
Power



Max Voltage Input: 12VDC
Min Voltage Input: 5VDC
Max Current Output: 500mA



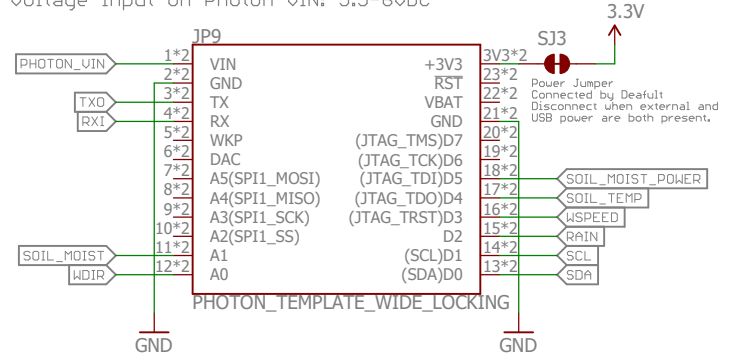
Power Selection



Power Select Solder Jumper

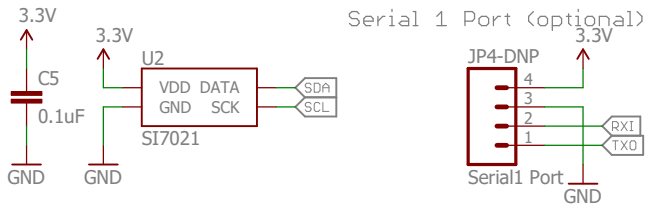
Photon Footprint

Max Voltage Input on Photon VIN: 5.5-6VDC

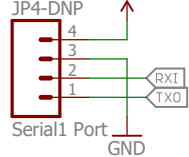


Sensors

Humidity & Temperature



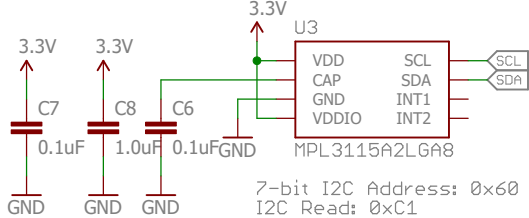
Serial 1 Port (optional)



Serial1 Port

7-bit I2C Address: 0x40
I2C Read: 0x81
I2C Write: 0x80

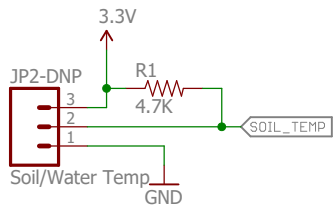
Pressure/Altitude



7-bit I2C Address: 0x60
I2C Read: 0xC1
I2C Write: 0xC0

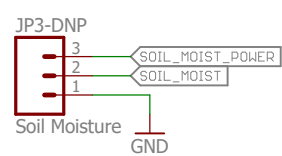
DS18B20

Soil/Water Temperature (optional)



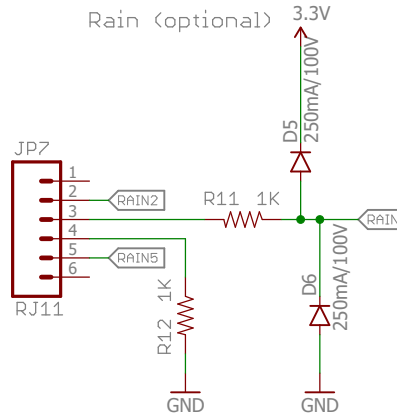
Soil/Water Temp

Soil Moisture (optional)

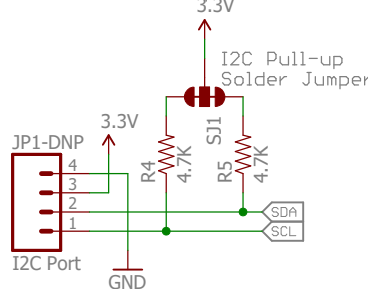


Soil Moisture

Rain (optional)

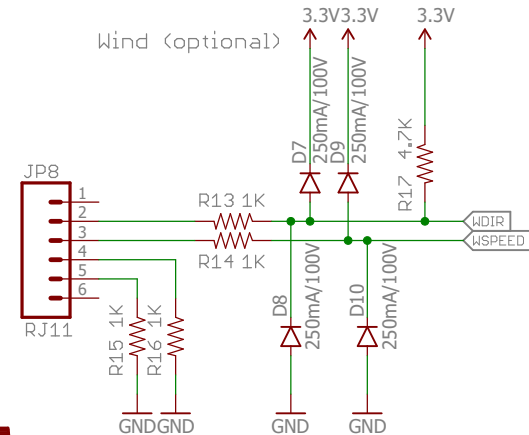


I2C Port (optional)



I2C Port

Wind (optional)



open hardware

sparkfun

Released under the Creative Commons Attribution Share-Alike 4.0 License
<https://creativecommons.org/licenses/by-sa/4.0/>

TITLE: SparkFun_Photon_Weather_Shield_U11

Design by: Joel Bartlett

REV: U11

Based on the Weather Shield for Arduino by Nathan Seidlet

Date: 12/15/2016 11:17 AM

Sheet: 1/1