

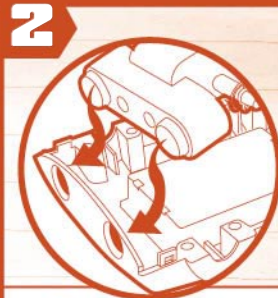
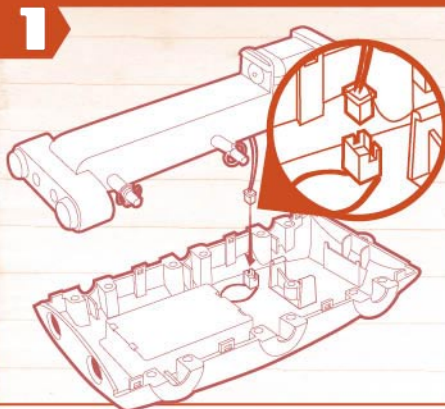
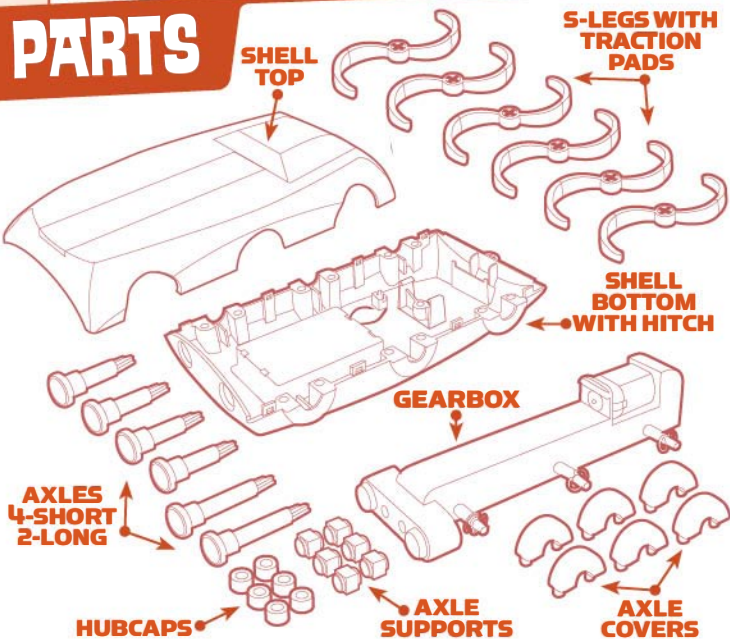
# BUILD IT!

Before you begin testing the limits of your Robo-6, you'll have to put it together. Here's how.

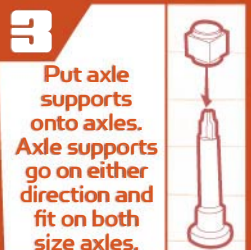
## EQUIPMENT NEEDED FOR ROBO-6 TESTS

- An assembled Robo-6
- Sidewalk chalk
- Books (to make stairs)
- Tape measure
- Toy cars
- A stopwatch, or a watch that counts seconds
- String: a 10 ft piece and a 2 ft piece

## PARTS

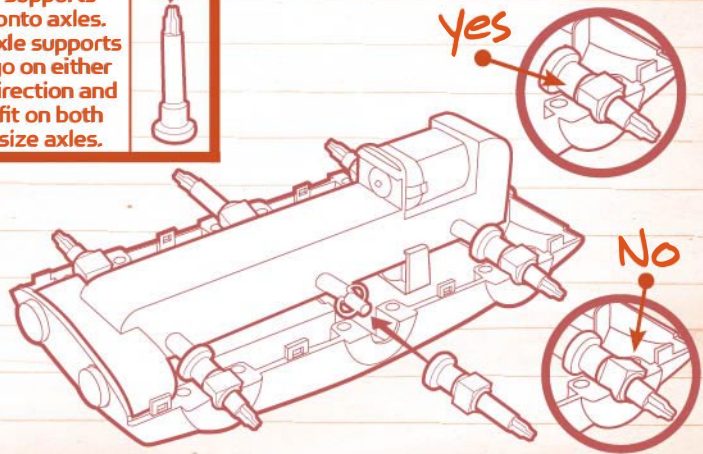


Tip the gearbox into the shell bottom so the lights line up with the holes in the shell bottom. Snap the gearbox into place.

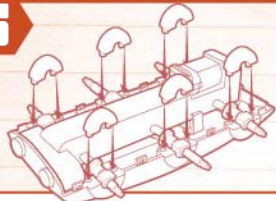


4

Secure axles, as pictured—short axles in the front and back; long axles in the middle.



5



Snap all six axle covers into place, as pictured.

6



Place shell top on top and snap together. It only fits one way, with the see-through plastic rectangle over the gearbox.

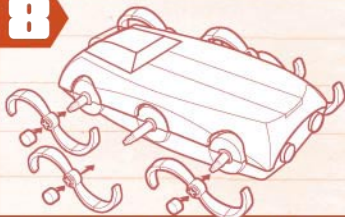
7



Attach the s-legs as pictured—first the front and back, then the middle. Each s-leg should read like an “S.”

Attach hubcaps—twist to the right.

8



Attach the s-legs as pictured—first the front and back, then the middle. Each s-leg should look like a backwards “S.”

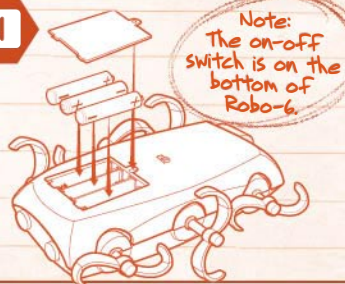
Attach hubcaps—twist to the left.

9



Turn three s-legs, as pictured, so they form a triangular pattern.

10

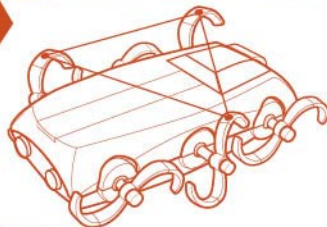


Note:  
The on-off switch is on the bottom of Robo-6

Remove the battery compartment cover. Install three 1.5 volt AAA batteries, as pictured. Replace cover.

## TROUBLESHOOTING

1



Make sure all s-legs are attached as described in the assembly instructions. Like the cockroach who always has three legs on the ground at one time, Robo-6 works best when its legs are positioned in a triangular pattern.

2



The s-legs may get misaligned when the Robo-6 is walking on sand and climbing over rocks. You can adjust the s-legs by turning them back into place (you'll hear them click!) rather than taking them off and reattaching them.

3

If Robo-6 veers off course, just nudge him back into place.

## BATTERY CAUTIONS!

- ⚠ To ensure proper safety and operation, the battery replacement must always be done by an adult.
- ⚠ Never let a child use this product unless the battery door is secure.
- ⚠ Keep all batteries away from small children, and immediately dispose of any batteries safely.
- ⚠ Batteries are small objects and could be ingested.
- ⚠ Nonrechargeable batteries are not to be recharged.
- ⚠ Rechargeable batteries are not recommended for use with this toy.

- ⚠ The supply terminals are not to be short-circuited.
- ⚠ Rechargeable batteries are to be removed from the toy before being charged.
- ⚠ Rechargeable batteries are only to be charged under adult supervision.
- ⚠ Different types of batteries or new and used batteries are not to be mixed.
- ⚠ Only batteries of the same or equivalent types as recommended are to be used.
- ⚠ Do not mix alkaline, standard (carbon-zinc), or rechargeable (nickel-cadmium) batteries.
- ⚠ Batteries are to be inserted with the correct polarity.
- ⚠ Exhausted batteries are to be removed from the toy.