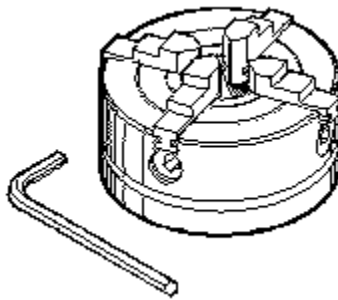


SHERLINE PRODUCTS

INCORPORATED 1974



SHERLINE 4-Jaw Chucks

Instructions for Use

Because of the varied uses of the 4-Jaw Chuck it would be impossible to write a comprehensive set of safety rules to cover every specific use, other than simply suggesting the use of liberal amounts of "Common Sense". If you're not sure of your set-up, it probably isn't good enough. Get a machinist with more experience to advise on a safe set-up. Be sure to remove the chuck key before turning the spindle on. Work Safely!

The screws that move the jaws are 20 threads per inch (T.P.I.). A complete revolution is .050". If you keep this number in mind when indicating a part in, it can speed up the process.

First, use the lines machined on the face of the chuck to roughly align the part concentric with the chuck. With an indicator, read the run-out. Move the jaw closest to the high or low point 30% of the total indicator reading in the proper direction.

NOTE: We recommend the 30% figure because the high point of a part will very seldom line up with a jaw. Moving a jaw too much can cause "chasing your tail", or simply moving the high point around the chuck.

EXAMPLE

The indicator shows a .030" run-out. 30% of .030" is approximately .010". If one revolution of the jaw feed screw is .050", then a little less than a 1/4 turn will be .010". Back the jaw out this amount and tighten the opposite jaw. Do**NOT** tighten the jaws beyond "snug" until the part is running within .005" T.I.R. (Total Indicated Reading). Repeat this process until the part runs within your specifications. Once the part is running within .002" T.I.R. it can usually be "brought in" by a final tightening of the jaws. It should also be noted that the chuck jaws are ground with a slight angle to allow the jaws to apply equal pressure to the tip and base when properly tightened. This angle amounts to less than .001" on the jaw surface.

When reversing jaws, be sure not to force a jaw onto the guide rails with the screw. "Wiggle" the jaw as the screw is advanced until the jaw moves in unison with the screw without binding.

If an off balance part has to be run, be sure to turn the motor on at a low RPM setting and bring the speed up slowly; never go past the point that the machine starts to vibrate.

Replacing Worn Or Damaged Jaws

Should the chuck jaws ever become worn or damaged, we recommend you return your chuck to the factory where we will replace the jaws and assure that the chuck is adjusted within tolerances. If the chuck body is damaged, replacement of the entire chuck is usually more economical than attempting to repair the body. If you wish to attempt the replacement of a jaw or jaws yourself, measure the width of the jaw you're replacing carefully with a micrometer, and give us the dimension so we can assure a perfect replacement.

Removing the chuck from the spindle

The large size of the 4-jaw body makes it easier to grip than the thinner 3-jaw chuck. The chuck unscrews counter-clockwise. You should be able to unscrew it from the spindle by hand by holding the spindle pulley with your other hand. If the chuck becomes stuck on the spindle thread, unscrew two opposite jaws until they stick out about 1/4" past the chuck body. With a plastic mallet, give the jaws a sharp tap to loosen the thread. This should break the thread loose and the chuck can then be unscrewed by hand. If you are holding a small part and do not want to lose your setup by backing off one or two jaws, use a block of wood against the side of one of the jaws near the outside edge or the point of the block of wood in one of the jaw screw holes and tap sharply on it with a mallet to break the chuck loose.

Joe Martin, President and Owner
SHERLINE Products

Replacement Parts List

NO. REQ.	PART NO.	DESCRIPTION
1	1144	Set of 4 Chuck Jaws*
1	1146	4-Jaw Chuck Screw*

* Both P/N 1030 and P/N 1044 chucks use same size jaws and screw.