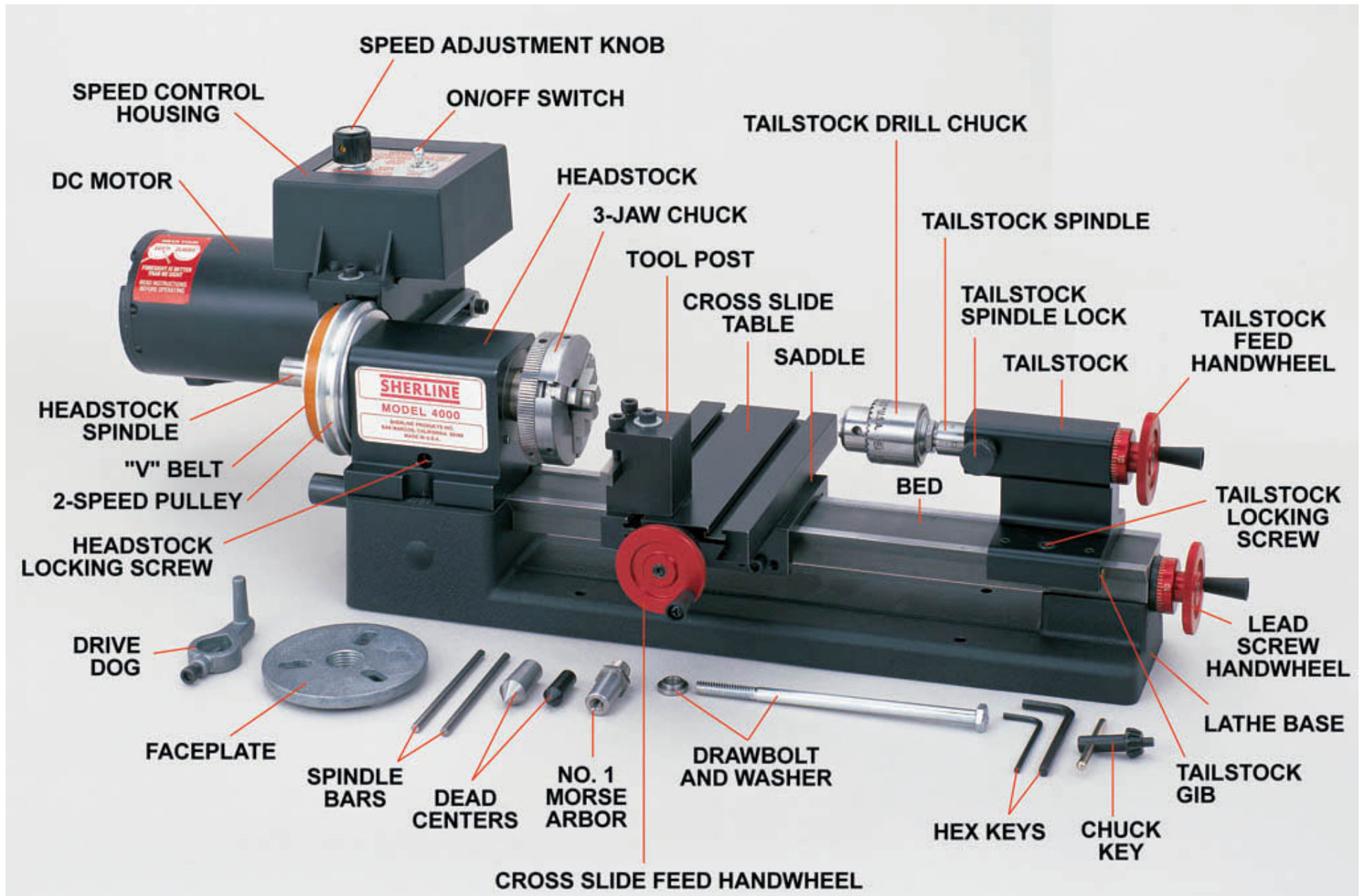


Sherline Model 4000 lathe

4000A shown includes 3-jaw chuck, tailstock drill chuck and standard accessories.



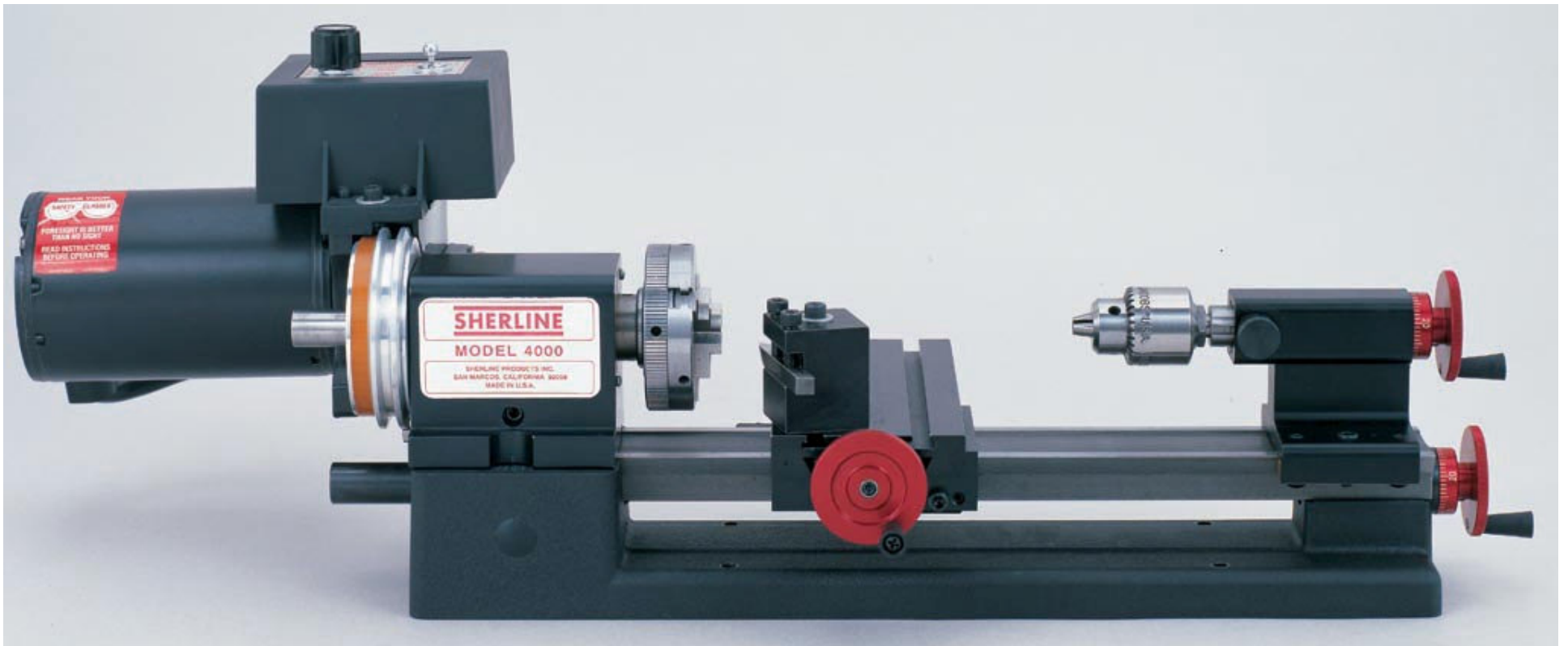
Parts of a lathe

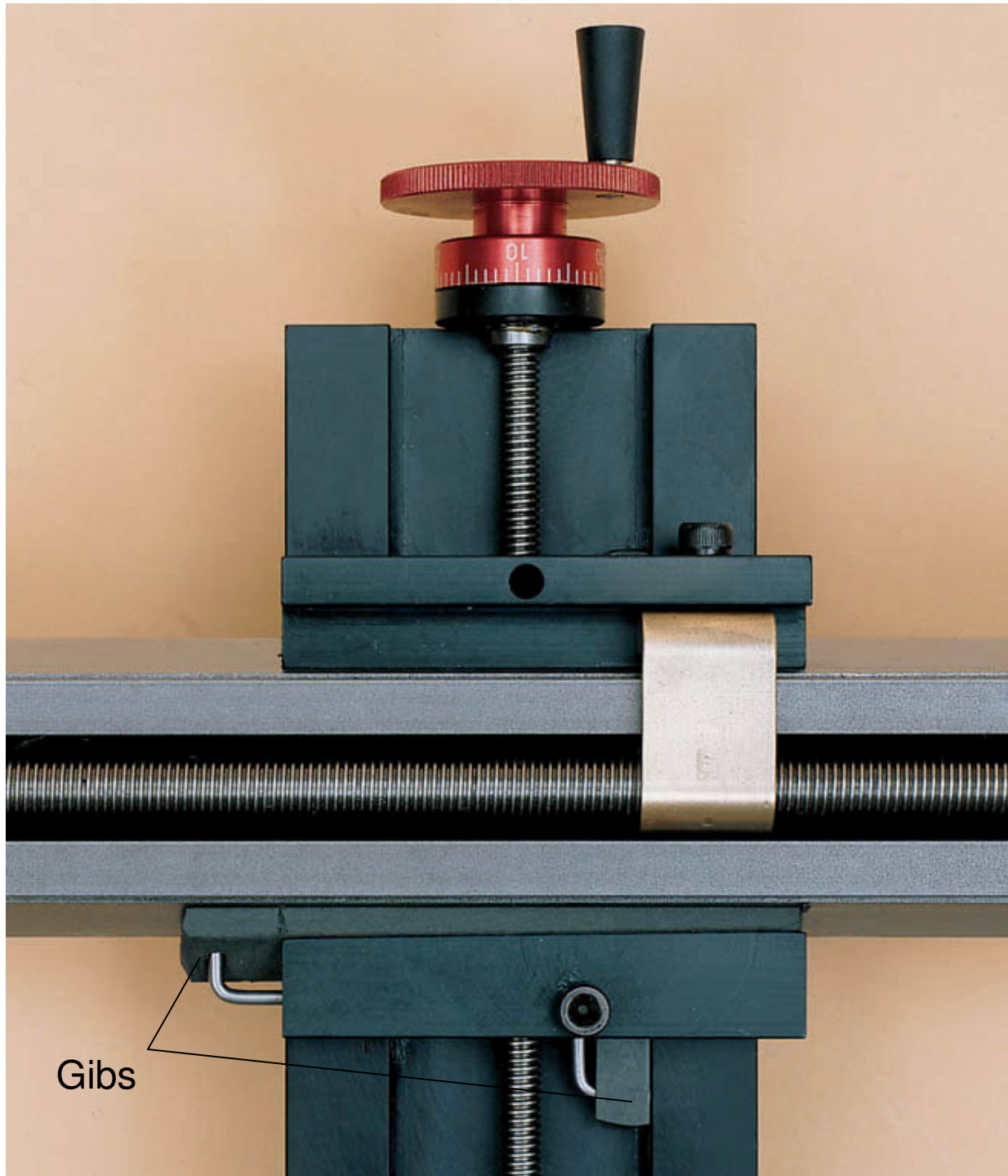


Headstock and Spindle

Preload Nut







A bottom view of the lathe bed and crossslide table shows the leadscrews are out of the way where they won't collect chips.

The tapered adjustable gibs on each axis can also be seen.

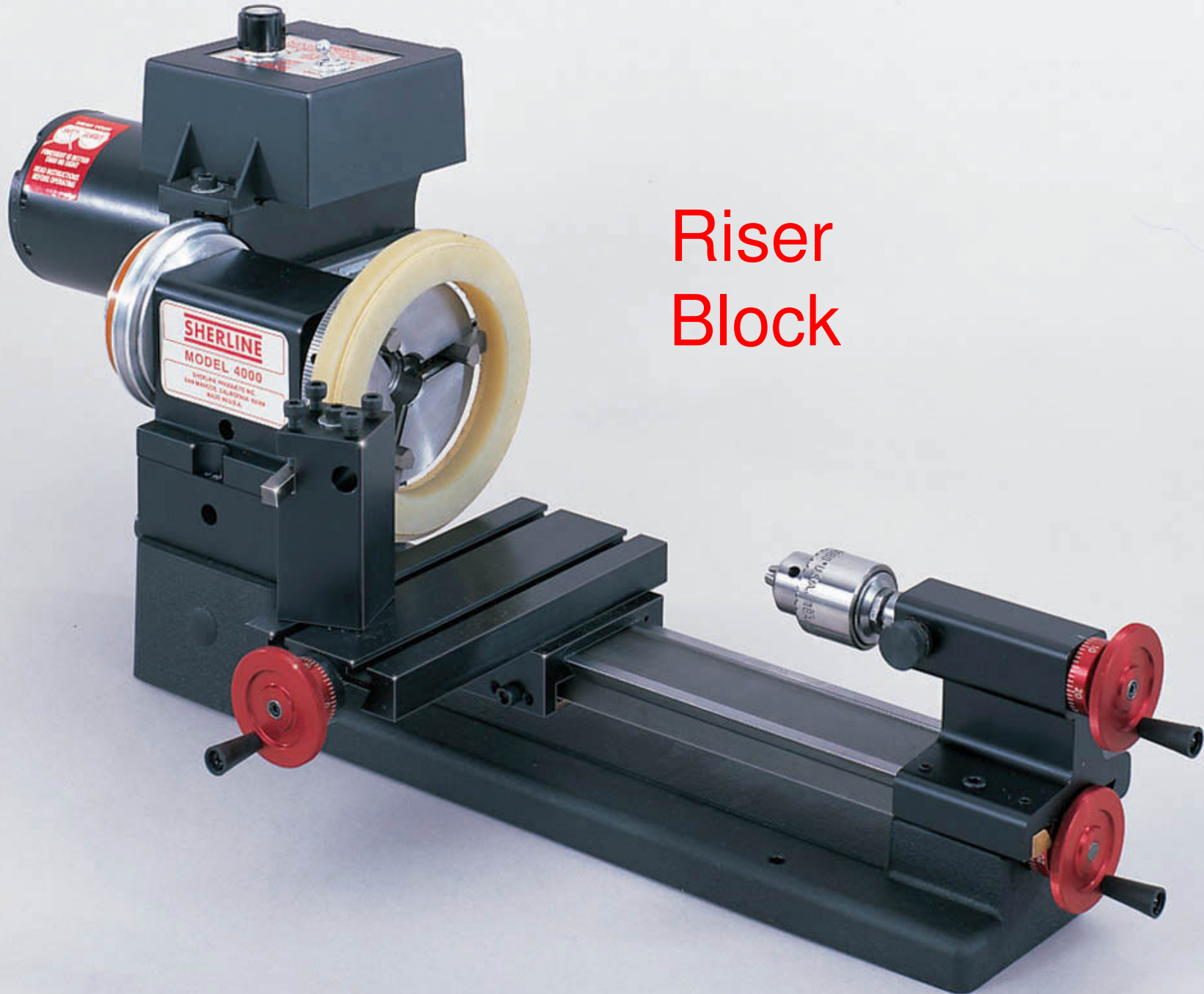
Taper Turning



Optional power feed

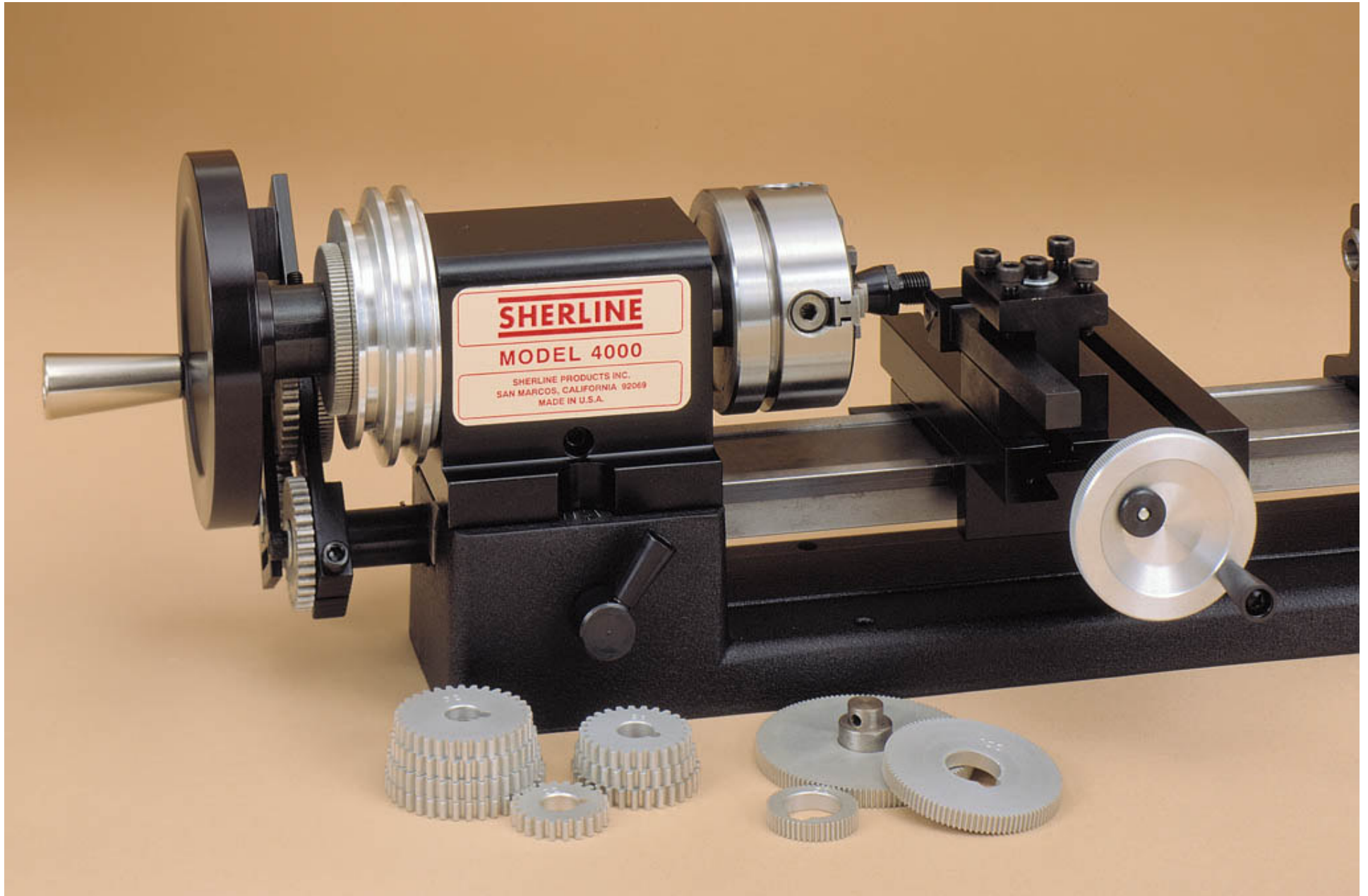


A small
home shop



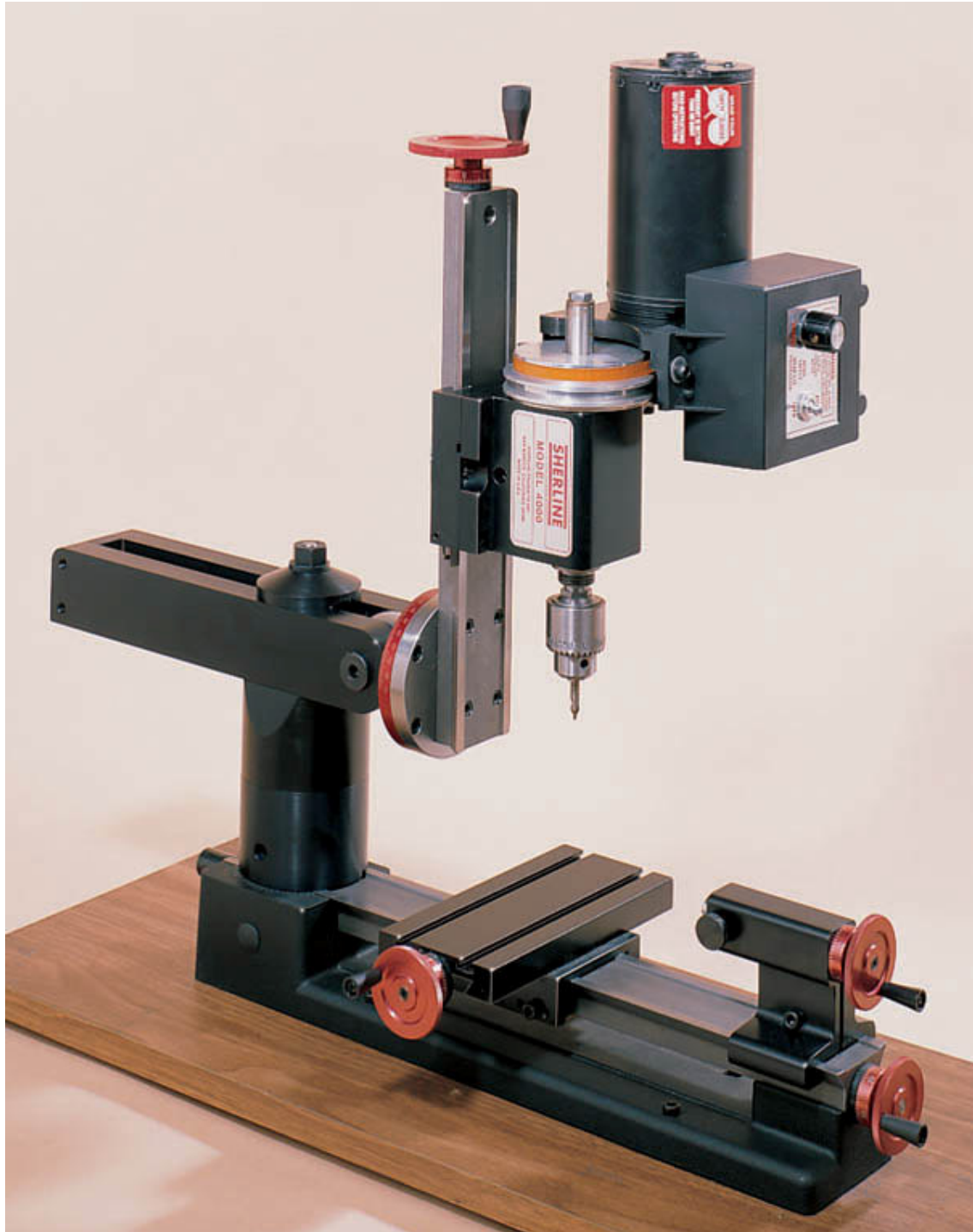
Riser
Block

Thread Cutting Attachment





Standard Vertical Milling Column



Multi-
direction
Vertical
Milling
Column

A basic machine shop classroom



4000 (4100) Lathe Specifications

- Swing over bed 3.50" (90 mm)
- Swing over table 1.88" (48 mm)
- Distance between centers 8.00" (200 mm)
- Hole through spindle .405" (10 mm)
- Crossslide travel 4.25" (110 mm)
- Spindle nose external thread 3/4 -16
- Spindle nose internal taper #1 Morse
- Hole through spindle .405" (10 mm)
- Tailstock spindle int. taper #0 Morse
- Cutting tool size 1/4" (3/8" optional)
- Electronically controlled spindle speed range 70-2800 RPM
- Length overall 23.0" (584 mm)
- Width overall 10.25" (260 mm)
- Height overall 8.0" (203 mm)
- Shipping Weight 24 lb (10.9 kg)