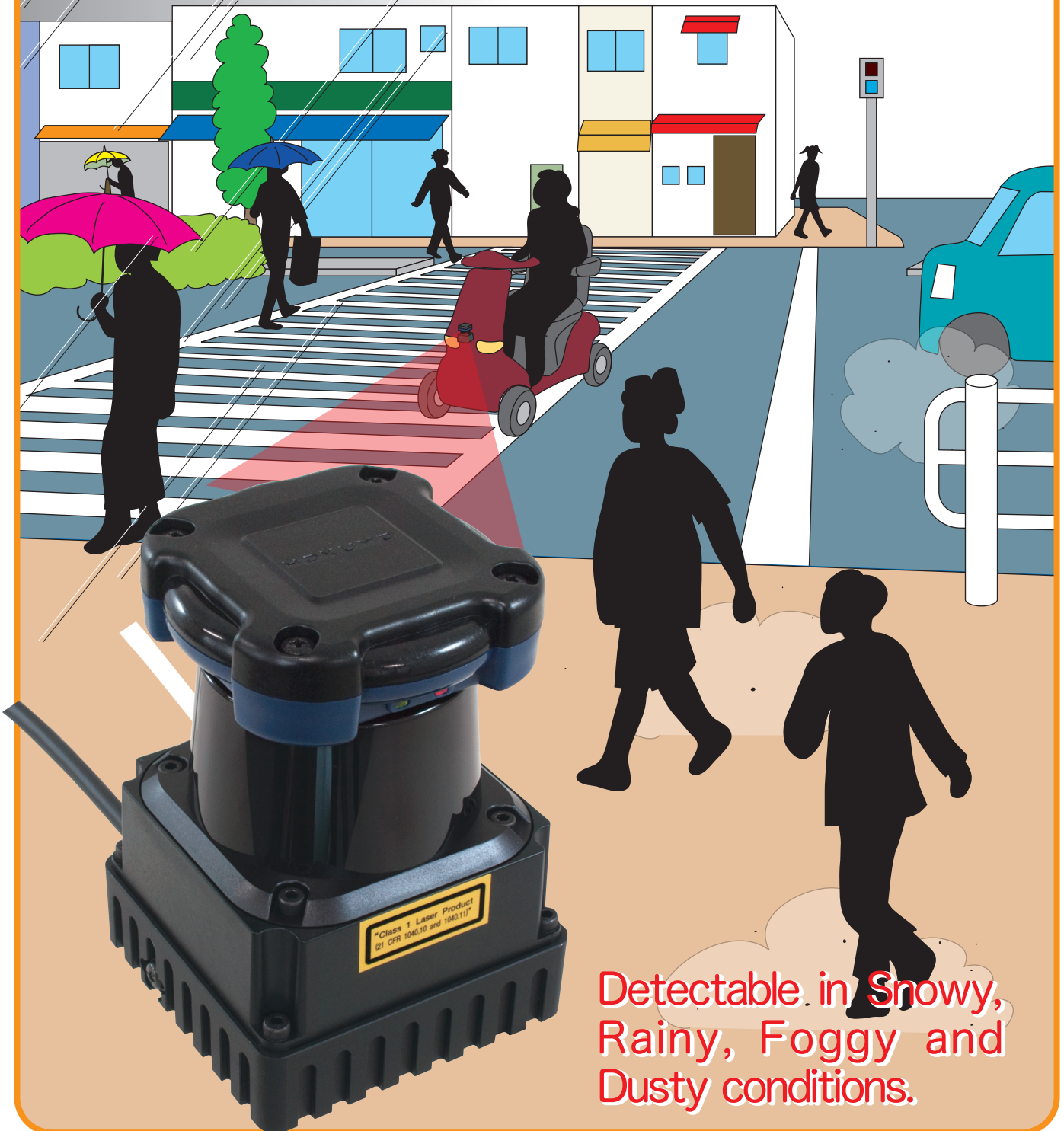




# Scanning Laser Range Finder

UTM-30LX-EW for Outdoor applications

- Ethernet Interface
- Multi-Echo Detection for Outdoor Applications
- IP67



Detectable in Snowy,  
Rainy, Foggy and  
Dusty conditions.

## Provisional Specification

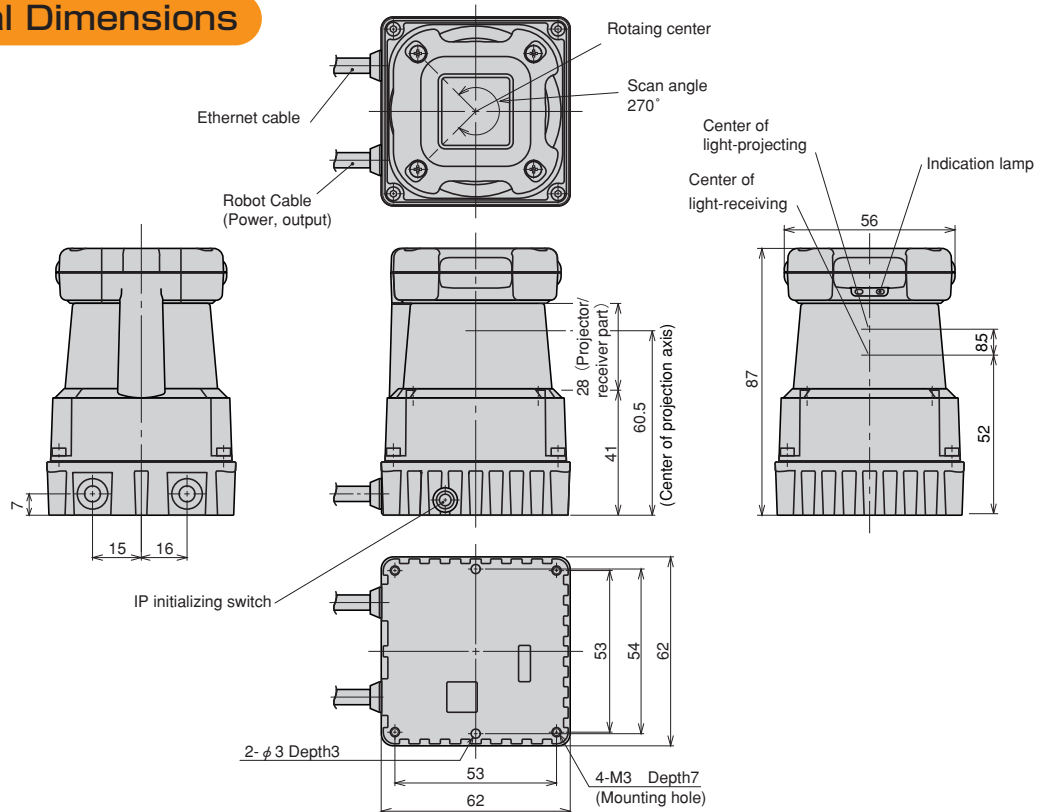
Products	Scanning Laser Range Finder
Model number	UTM-30LX-EW
Supply voltage	12VDC $\pm$ 10%
Consumption current	During operation: 0.7A or less, Start-up: Max. 1A
Light source	Laser diode $\lambda$ =905nm, Laser class 1
Principle	Direct Time of Flight
Detection range	During operation: 0.1~30m (500mm $\times$ 500mm or more, White Kent Sheet), 270°
Multi-Echo function	Max. 3-output of distance data per step*1
Accuracy	0.1~10m $\pm$ 30mm, 10~30m $\pm$ 50mm*2
Angular resolution	0.25°
Scanning speed	25msec/scan
Interface	Ethernet 100BASE-TX (Auto-negotiation), TCP/IP Synchronous Output: NPN open collector
Indication lamp	Power(Green), Operating/Trouble (Orange), Operating: Light-up, Trouble: Blink
Communication protocol	SCIP2.2 (Exclusive command)*1
Connection	Power source/Synchronous output (cable 2m length) Ethernet: RJ-45 cable with Male connector, 30cm length (Female connector is enclosed)
Ambient temperature and humidity	-10 to +50°C (-25 to +75°C when stored), 85%RH or less (without condensing and icing)
Vibration resistance	Double amplitude 1.5mm, 10 to 55Hz for each 2 hours in X, Y and Z directions
Impact resistance	196m/s <sup>2</sup> , each 10 times in X, Y and Z directions
Protective structure	IP67 (IEC standard)
Weight	Approx. 370g (including the cable weight)

\*1. Scheduled to be implemented in the final version. \*2. Measurement under direct interference light is not assured (Sunlight, etc.).

Note) This model is not a safety rated product.

Note) Hokuyo products are not developed and manufactured for use in weapons, equipment, or related technologies intended for destroying human lives or creating mass destruction. If such possibilities or usages are revealed, the sales of Hokuyo products to those customers might be halted by the laws of Japan such as Foreign Exchange Law, Foreign Trade Law or Export Trade Control Order. In addition, we will export Hokuyo products for the purpose of maintaining the global peace and security in accordance with the above laws of Japan.

## External Dimensions



★All information in this catalog is subject to change without notice.



International Sales Agencies :

India, Korea, Malaysia, Sweden, Taiwan,  
Thailand, UK, USA



**HOKUYO AUTOMATIC CO.,LTD.**

Osaka HU Building, 2-2-5 Tokiwamachi, Chuo-Ku, Osaka, 540-0028 Japan  
TEL:+81-6-6947-6333 FAX:+81-6-6947-6350  
URL :http://www.hokuyo-aut.jp  
Email : info@hokuyo-aut.jp