

HOKUYO

Scanning Laser Range Finder for Object Detection

UXM-30LN "Tough URG"

Long-range non-contact distance measurement and object detection for indoor applications

Ideal solution for area monitoring and collision control

Offers accurate real-time distance measurement through a 190° scanning field.

Superior detection of dark colored objects with no effect on measurement due to dust or condensation on lens cover

Light-weight, compact design

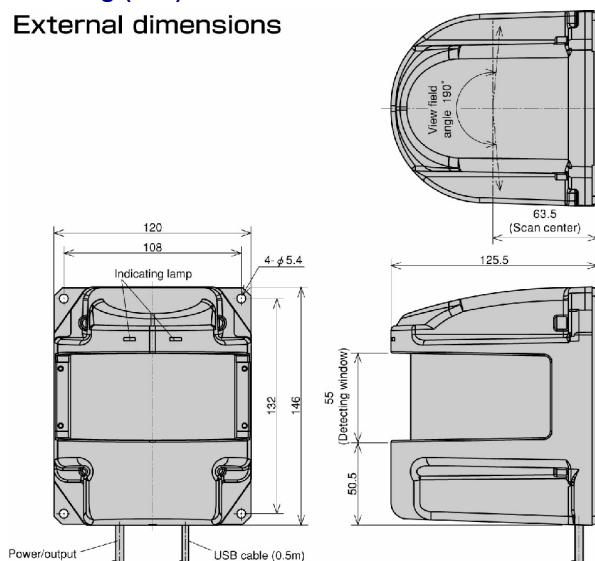


SPECIFICATIONS

Model Number	UXM-30LN
Power Source	24VDC, +/-10% (current consumption: 700mA or less, 1A at start up)
Light Source	Semiconductor laser diode ($\lambda = 905\text{nm}$), Laser safety class 1
Scanning Range	0.1 - 30 meters (black objects with 10% reflectivity), 190° scan angle
Accuracy	0.1 - 10 meters: +/- 50mm 10 - 30 meters : +/- 100mm
Angular Resolution	Step angle: 0.25° (360° / 1,440 steps)
Scan Time	50ms/scan (motor rotation number 1,200rpm)
Noise	25dB or less
Interface	USB 2.0 Full-speed mode (12Mbps)
Outputs	(1) Detection Output and Error Output (malfunction) - NPN open collector
Connection	Power & output: cable 2M, USB: cable 2M with Type A Plug
Ambient Temp/Humidity	14°F to 122°F, 85% or less (non condensing or frost)
Vibration Resistance	10 to 55 Hz, double amplitude 1.5mm each 2 hour in X, Y and Z directions
Impact Resistance	196m/s ² (50G), each 3 times in X, Y and Z directions
Housing	IP64
Weight	Approx. 1kg (2.2 lbs)

Drawing (mm)

External dimensions



Typical Applications:

- ▲ Multi-level parking garage vehicle detection
- ▲ Collision-avoidance for overhead cranes and gantry cranes
- ▲ Guide-path obstacle detection for AGVs and mobile equipment



Authorized North American Distributor

Ph: 704-843-5729 E-mail: sales@senteksolutions.com

Fax: 704-843-5795 Website: www.senteksolutions.com