

Micro hydro generator

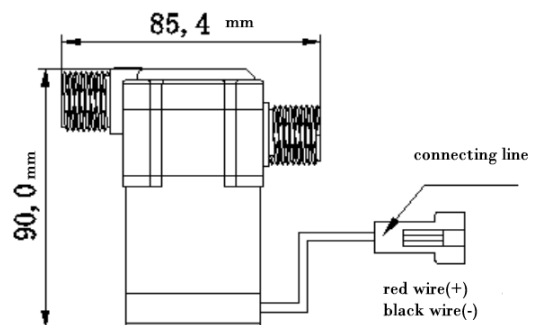
Introduction

Micro hydro power is clean, renewable energy. Here is a micro hydro generator which can supply stably output voltage and output current with the help of one voltage stabilizing circuit and one rechargeable battery.

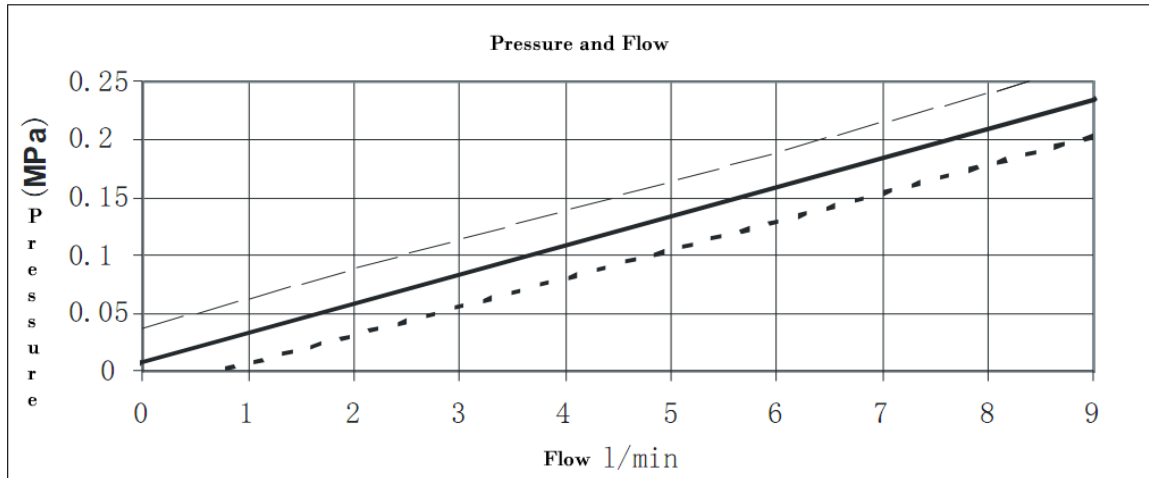
We can install it at home to save household energy, like using spray shower to light LEDs etc.

Features

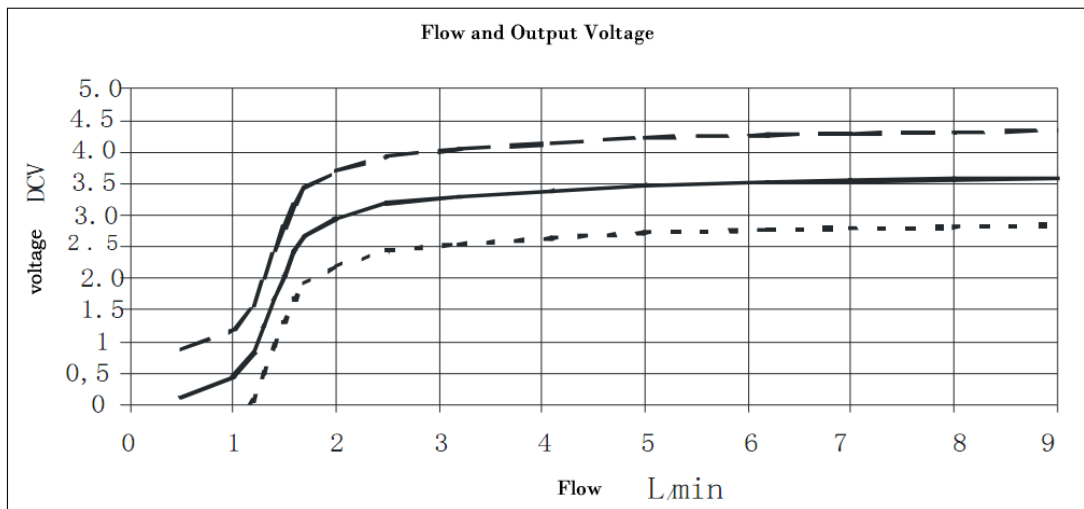
Weight	165 g
Output voltage	3.6V
Output current	300mA
Maximum working pressure	1.75 MPa
Working pressure	0 ~ 1.75MPa
Working temperature	0 ~ 110°C
By 110 °C maximum work 30 min	
Store temperature	-25°C ~ 65°C
Recommend flow rate range	1.5~20 l/min (Pressure 0.05-0.2mpa)
Installation Method	direction of arrow
Material	nylon/glass fiber, Polyformaldehyde



Pressure and Flow diagram

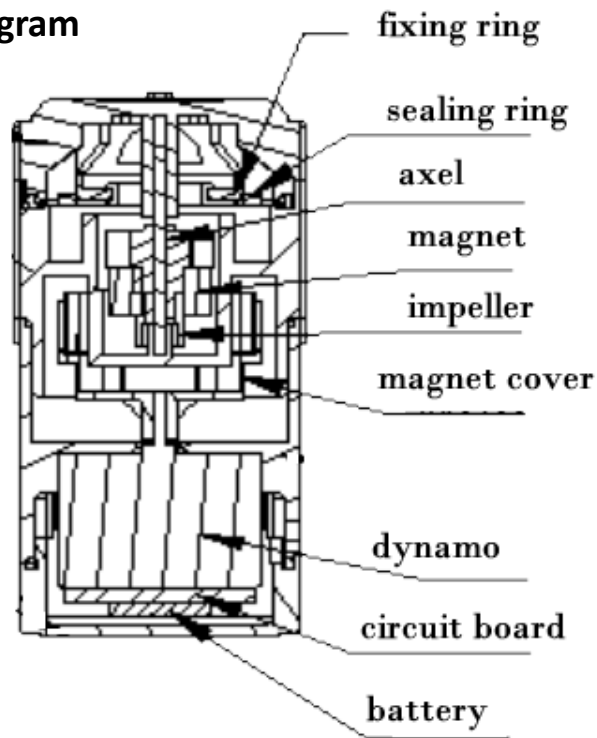


Flow and Output voltage Diagram



Note: This module has added one voltage stabilizing circuit and one rechargeable battery, output voltage is stably 3.6v and output current is stably 300mA.

Structure diagram



Revision History

Rev.	Descriptions	Release date
1.0	Initial public release	27.05.2010