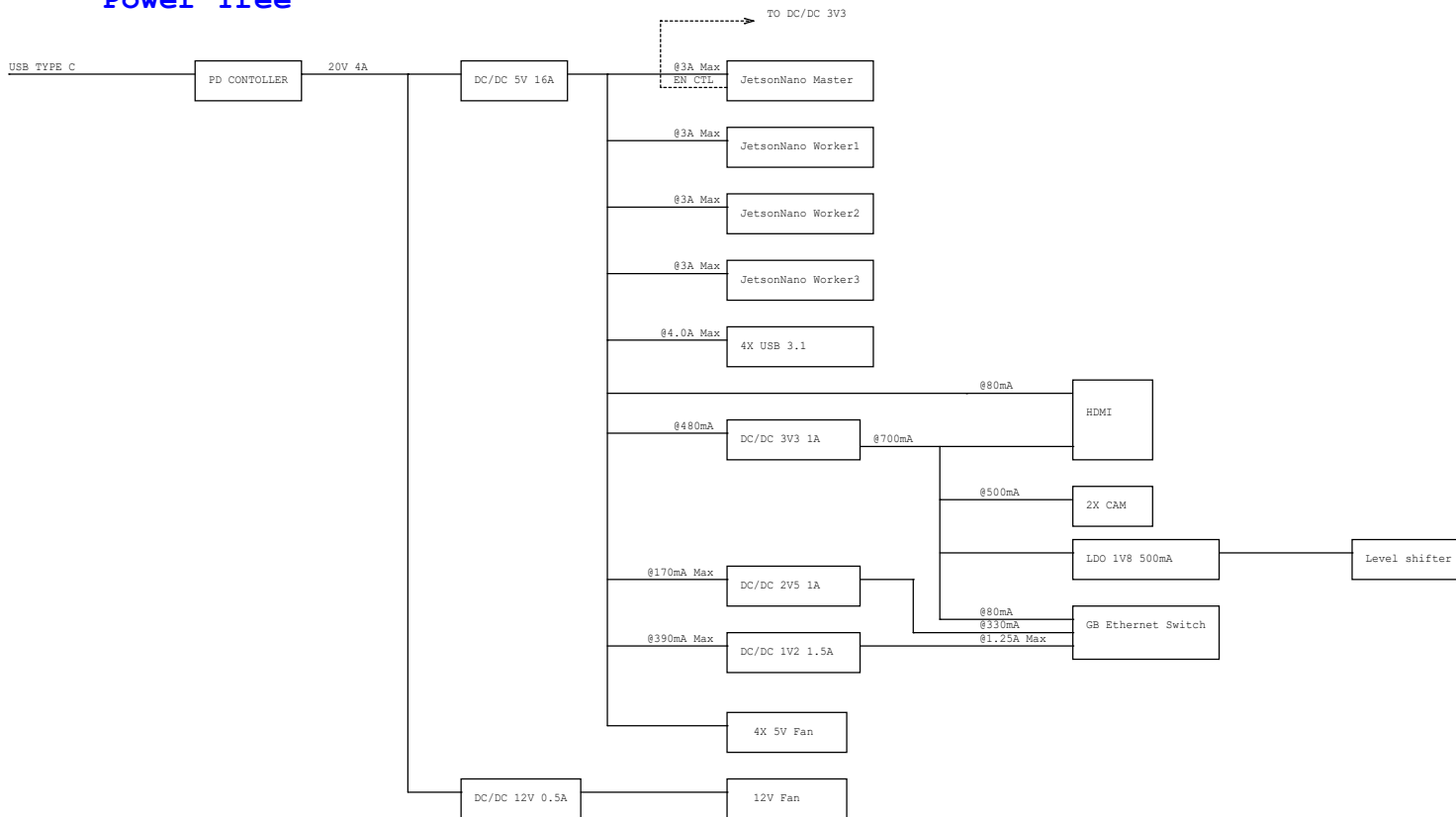
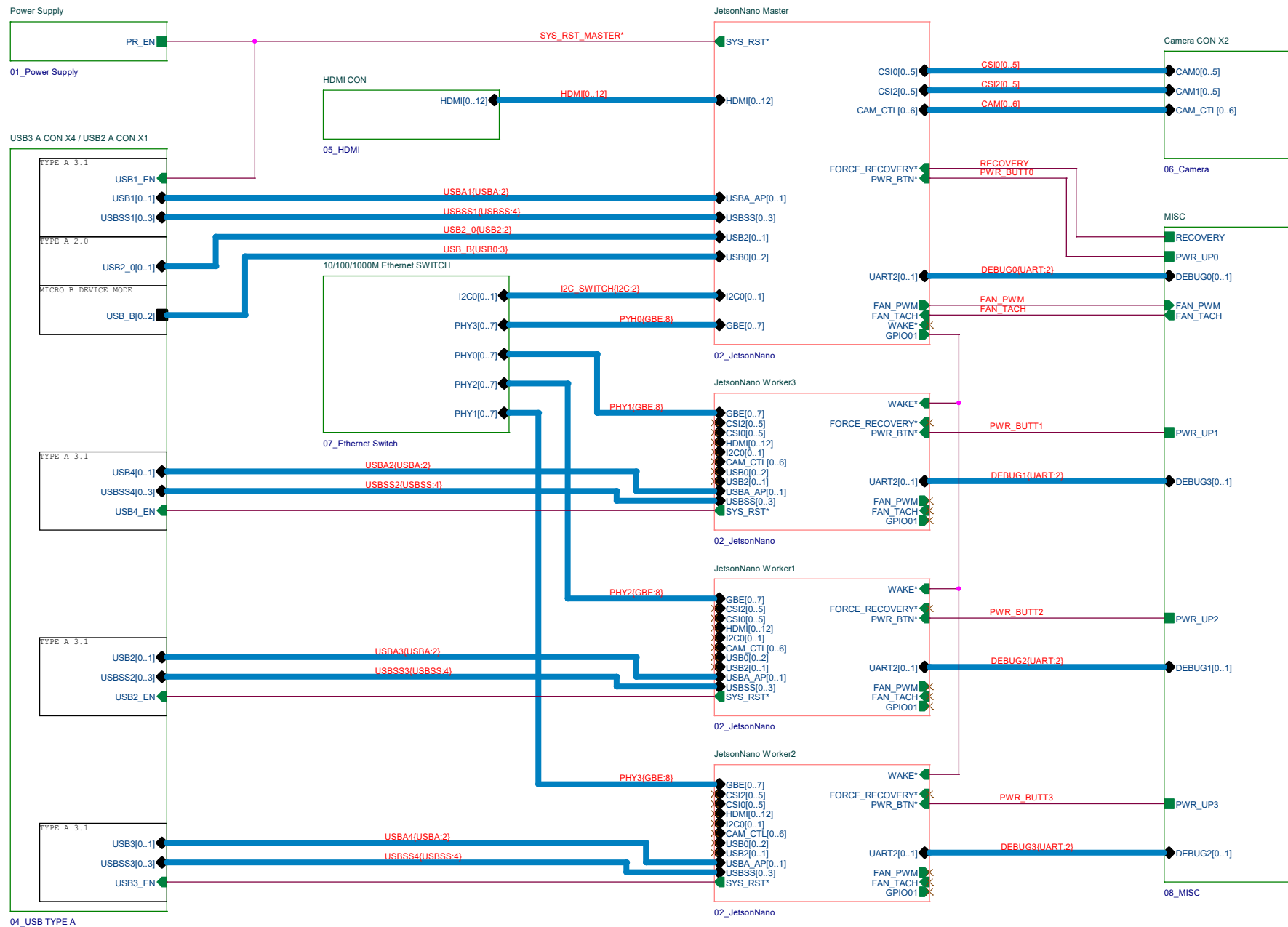


Revision History

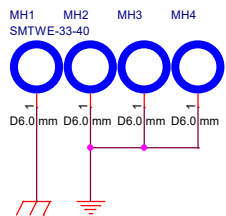
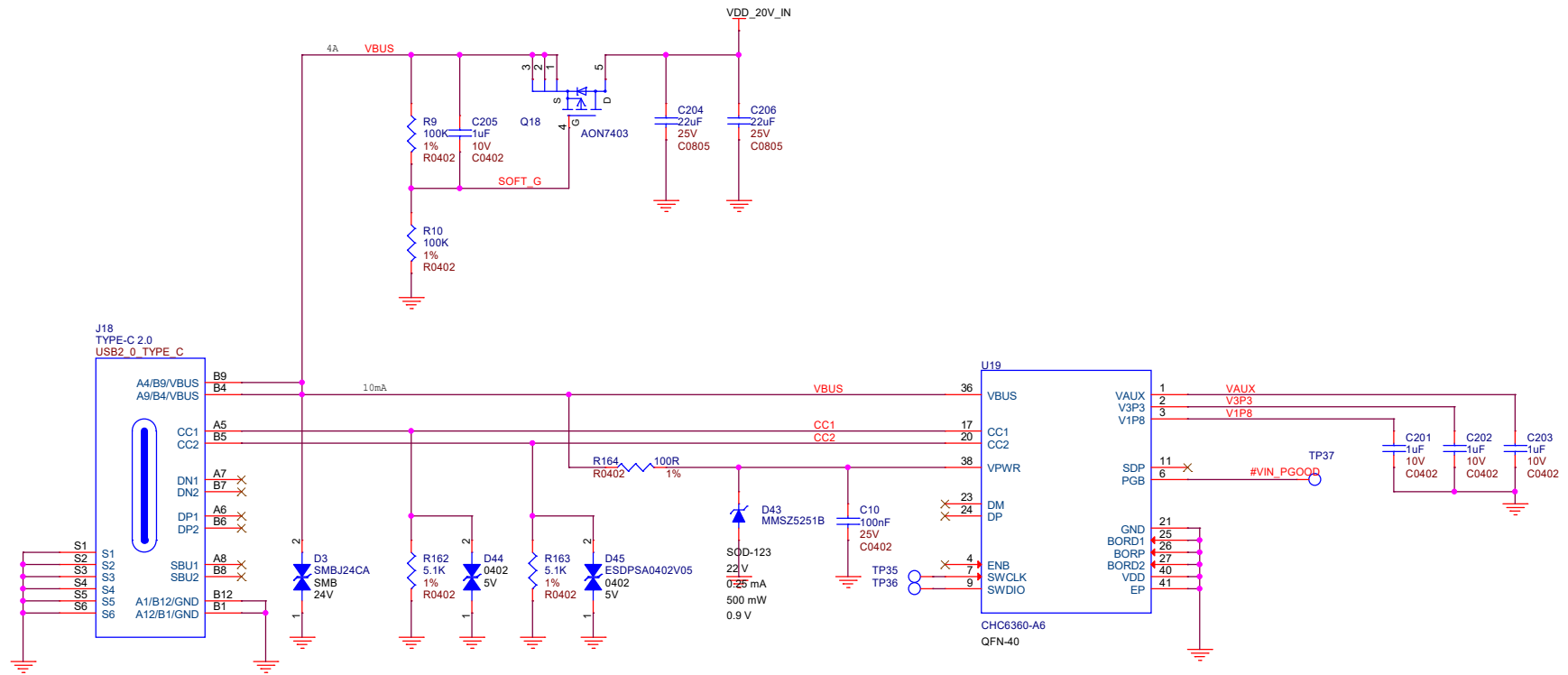
DATE	REVISION	DESCRIPTION
Oct. 16 2020	v1.0	1. Initial release

Power Tree

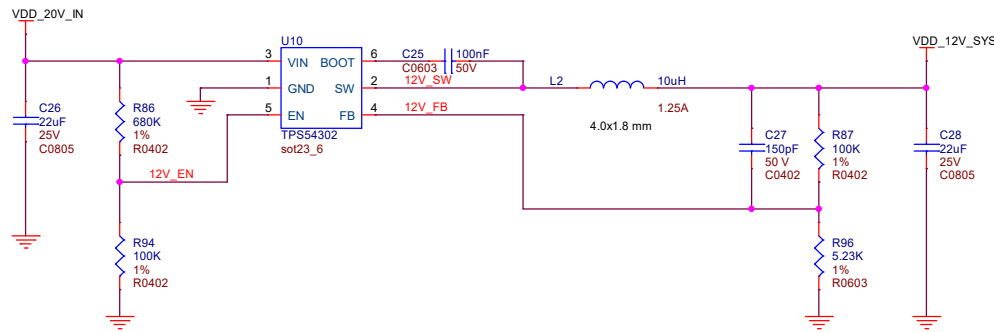
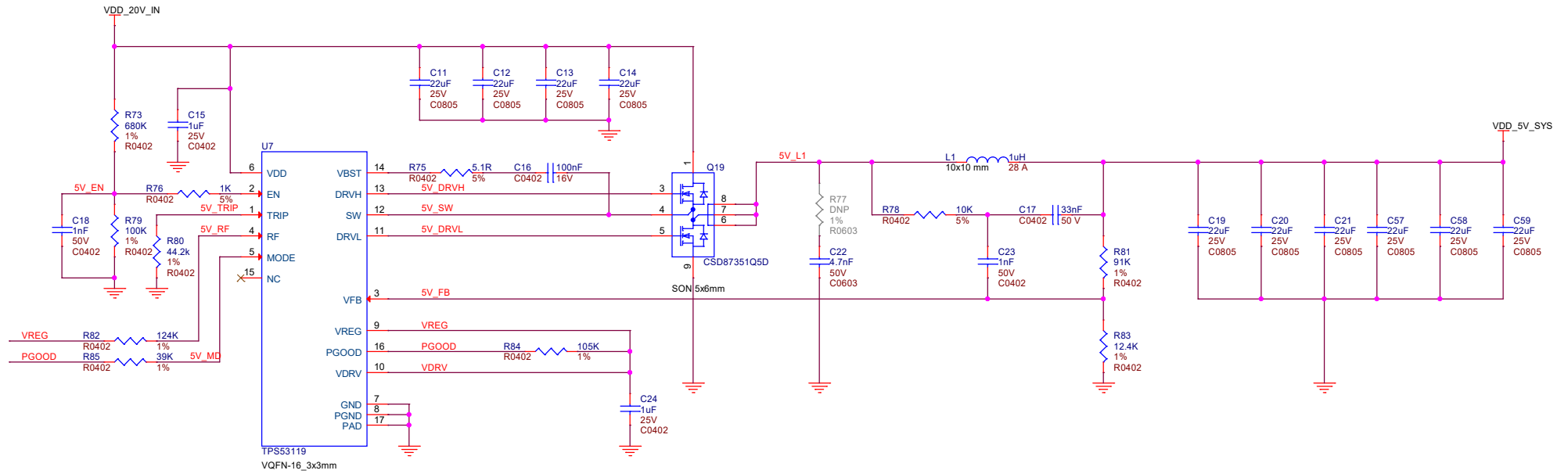




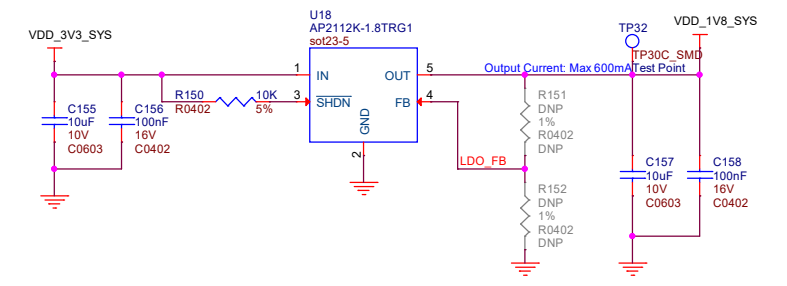
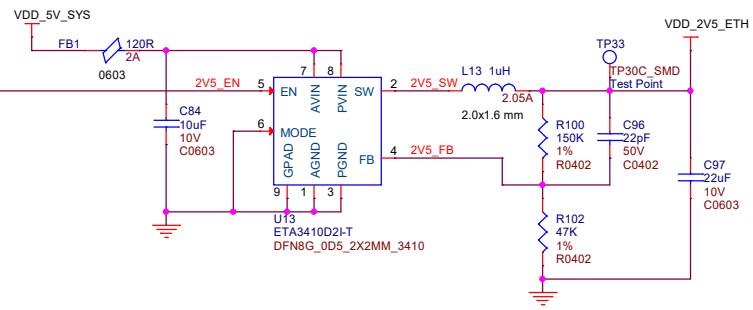
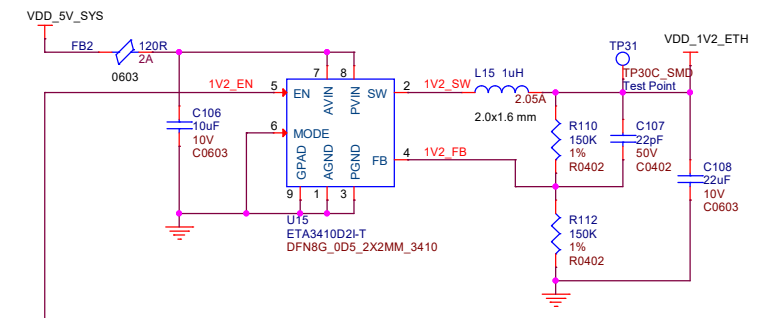
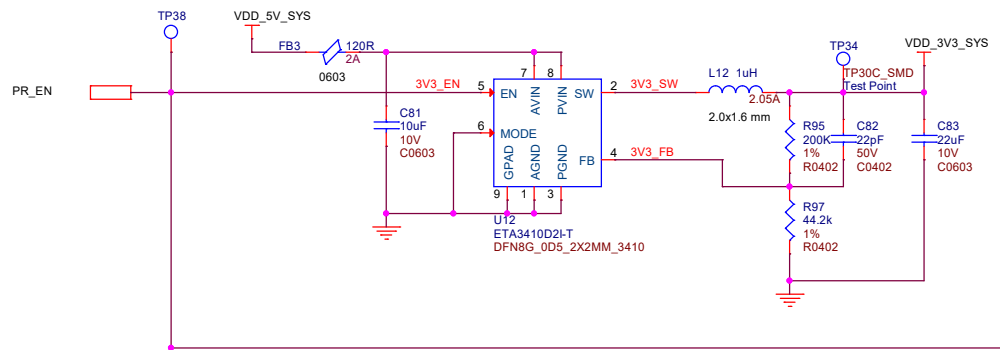
TYPE C 20V IN



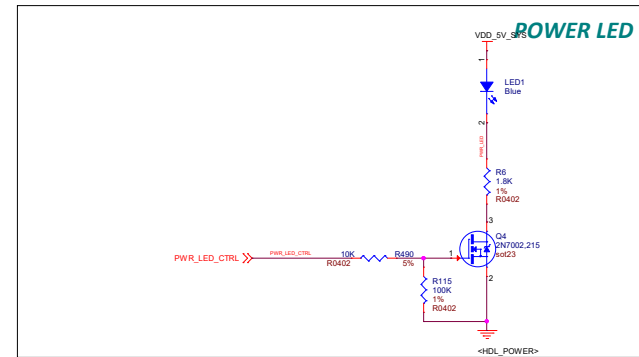
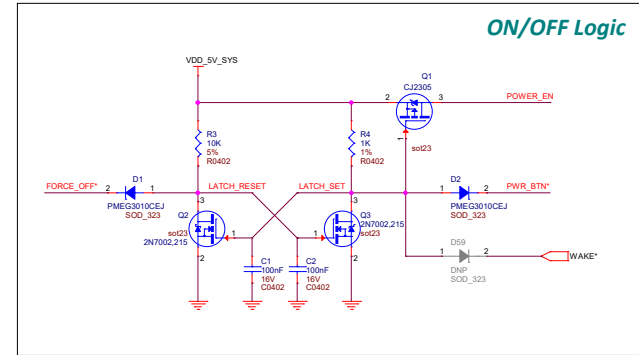
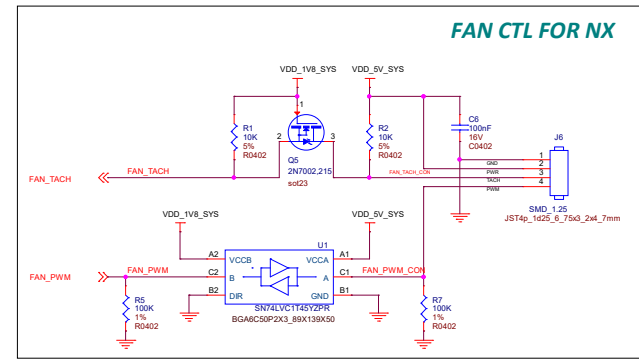
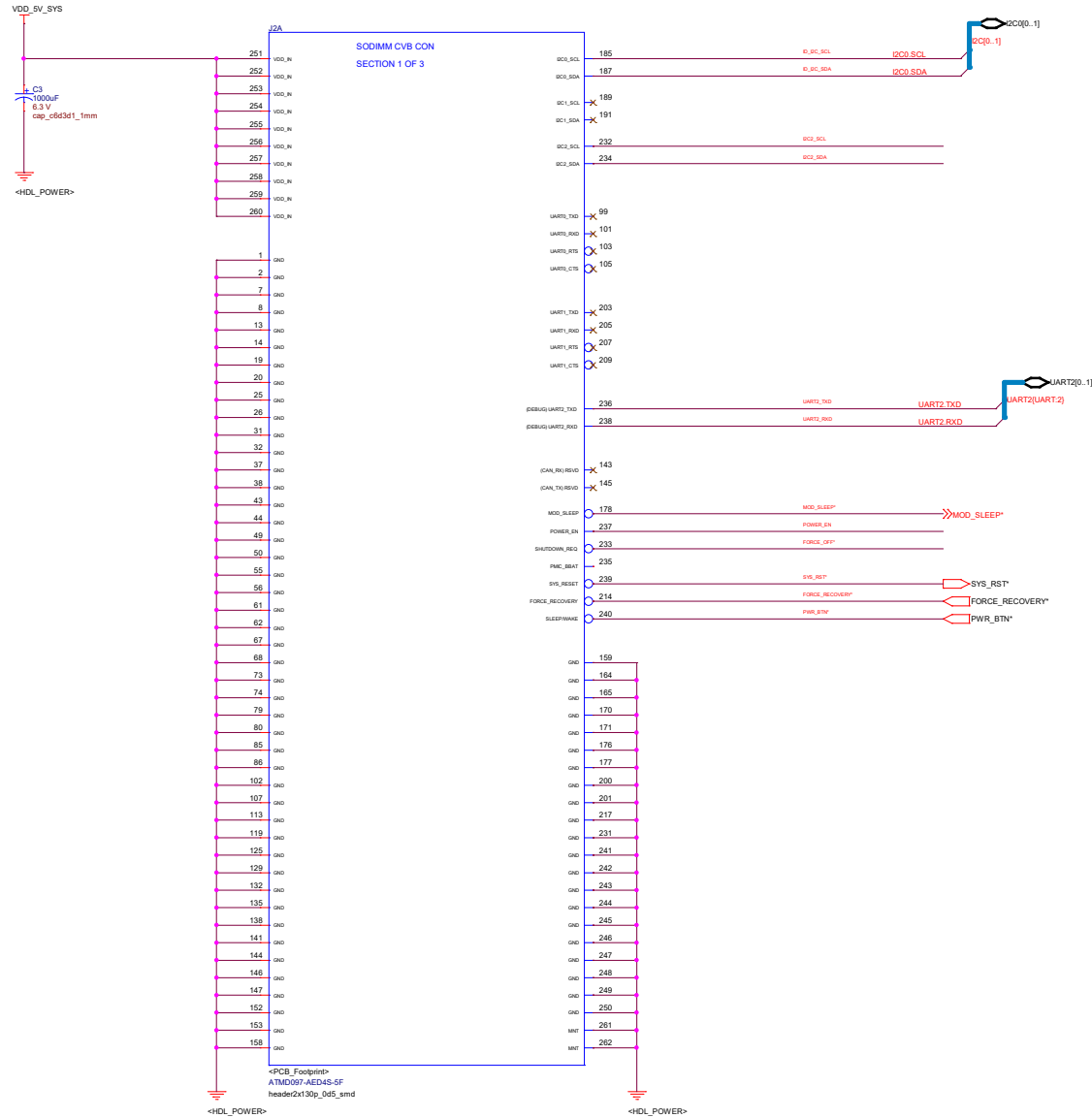
POWER SUPPLY FOR JETSON



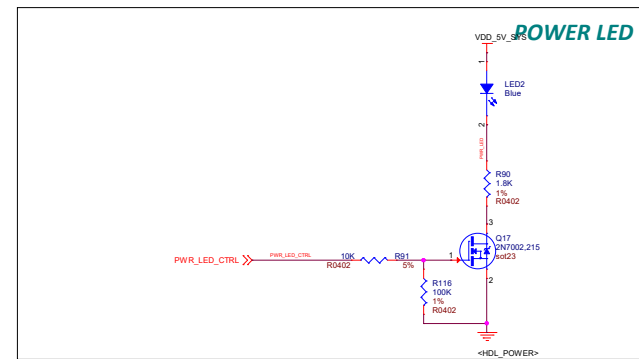
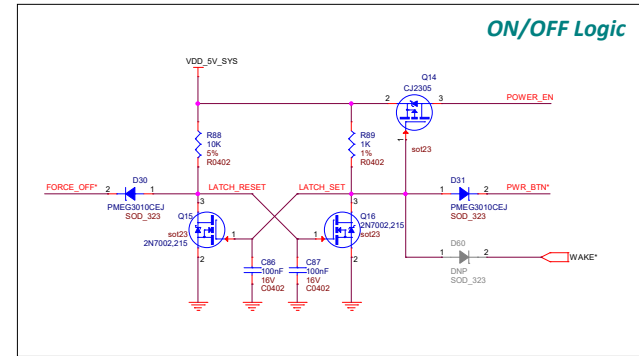
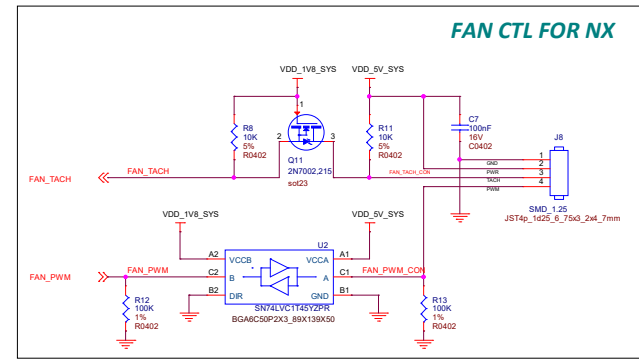
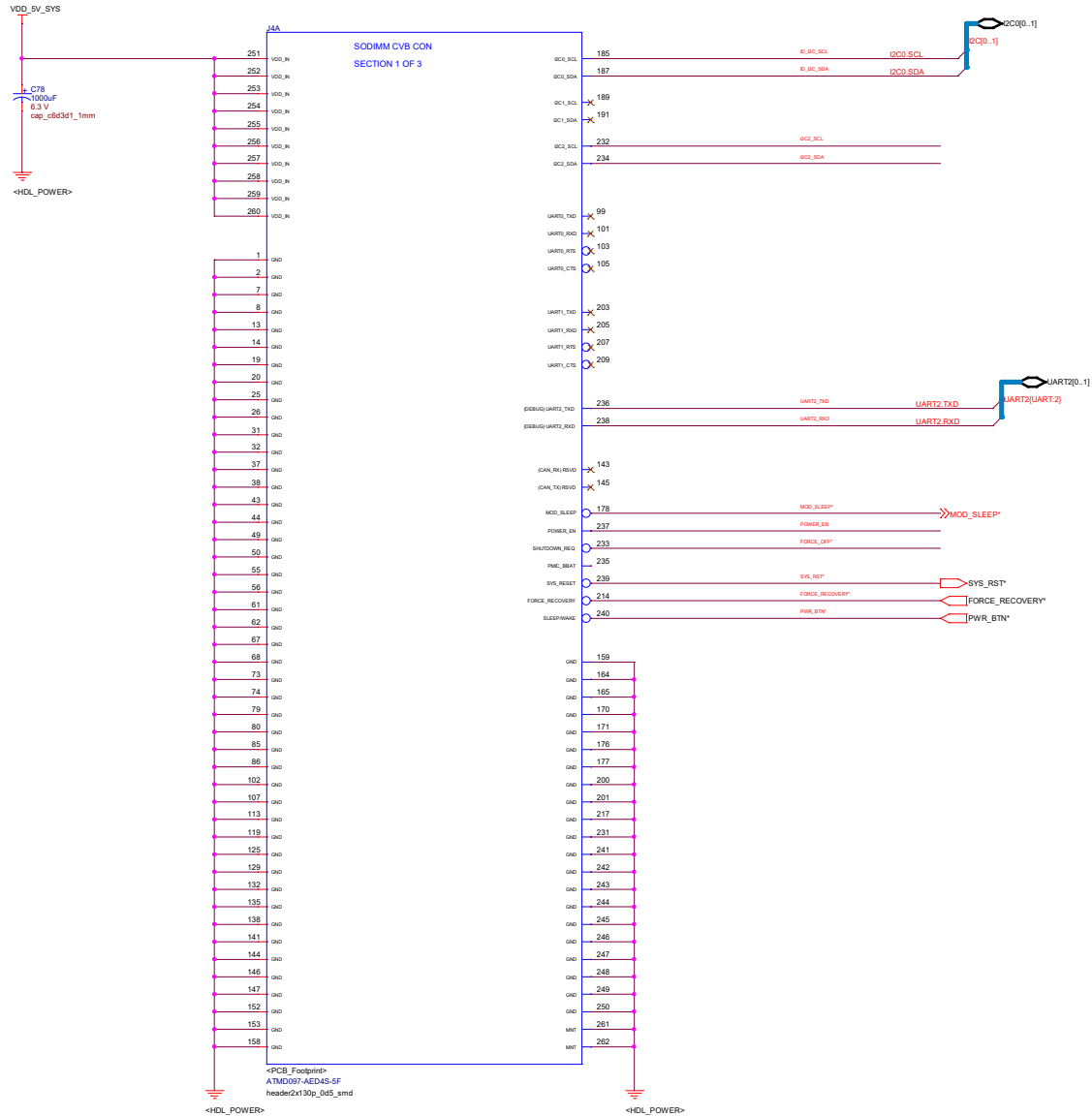
POWER SUPPLY FOR PERIPHERALS



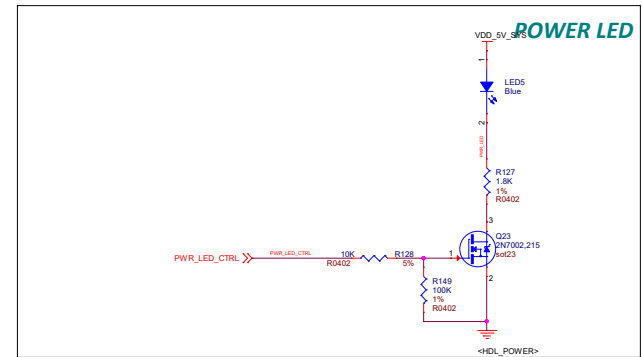
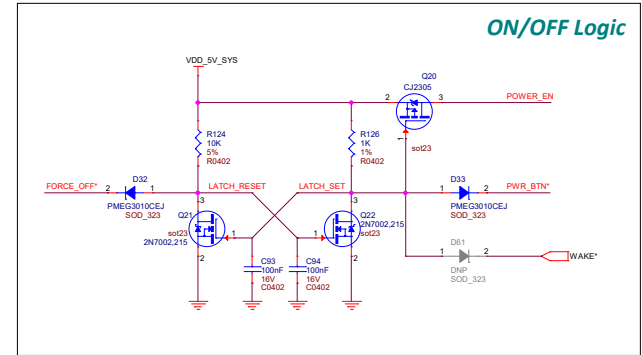
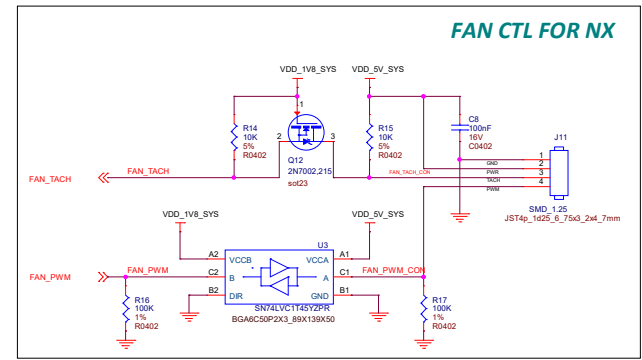
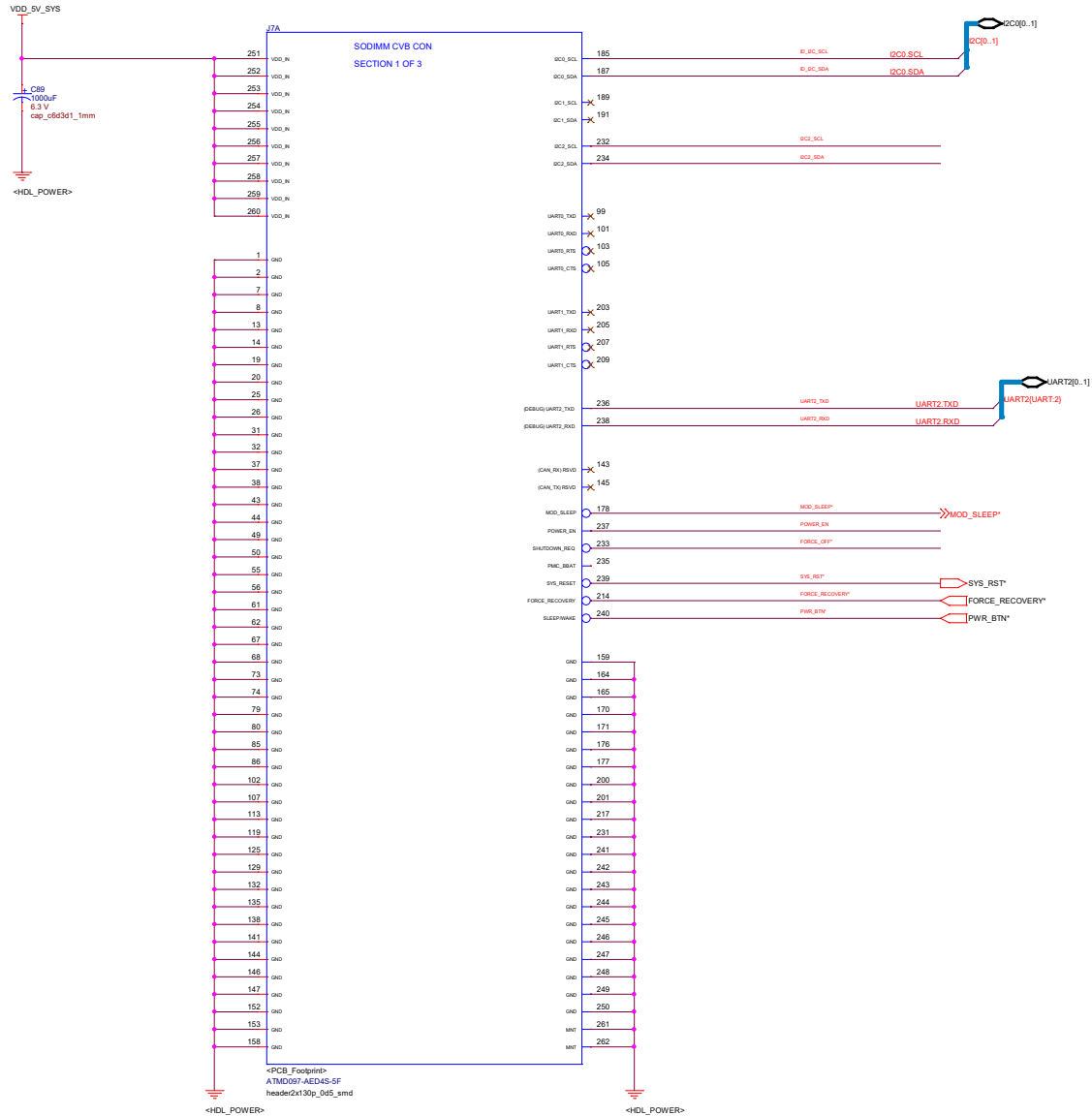
UART, I2C, CAN and GPIOs



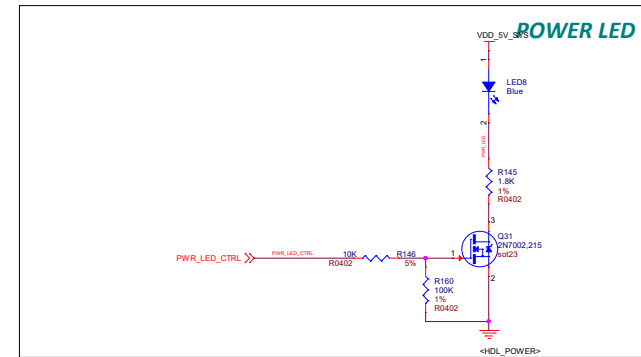
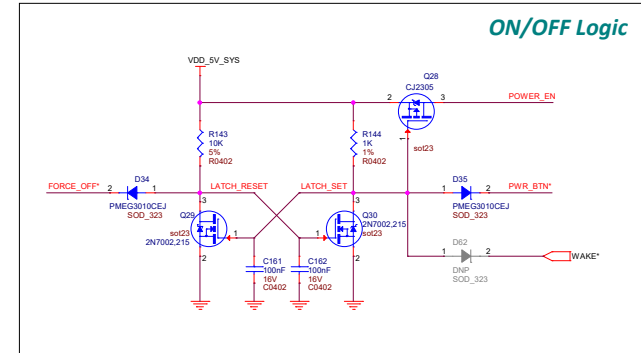
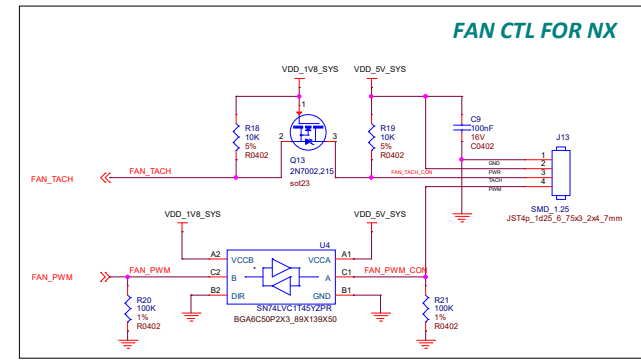
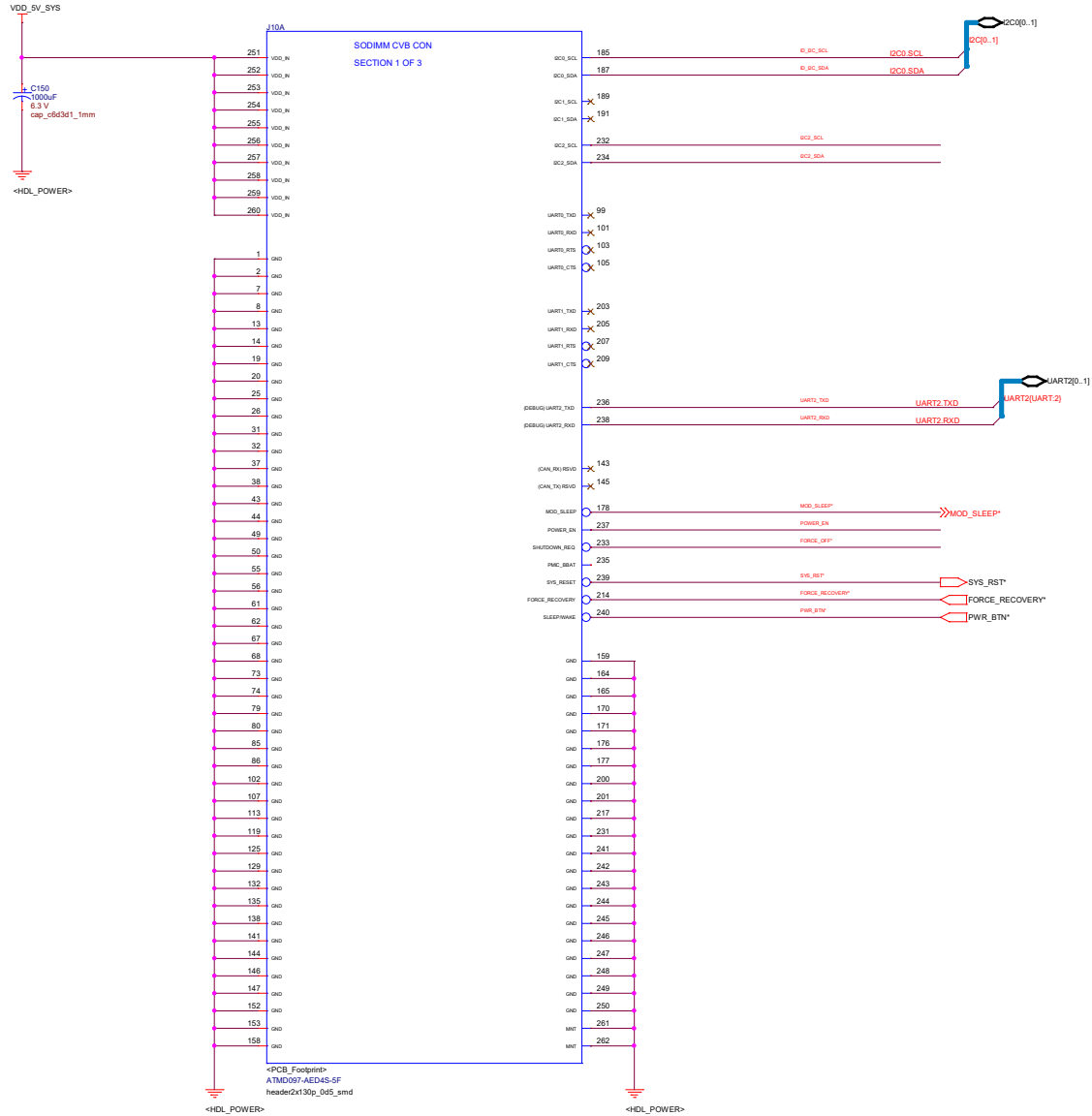
UART, I2C, CAN and GPIOs



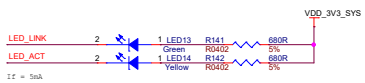
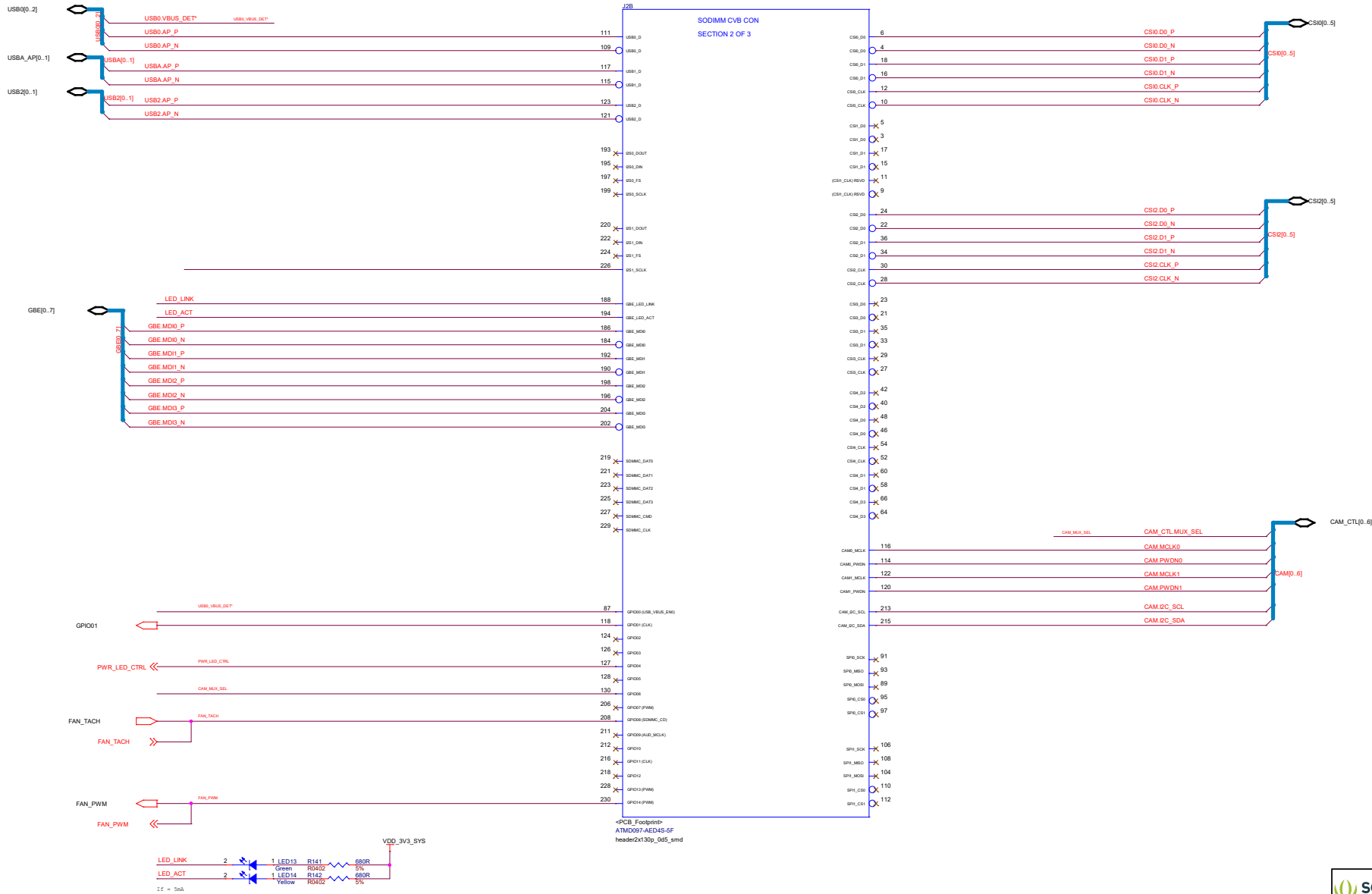
UART, I2C, CAN and GPIOs



UART, I2C, CAN and GPIOs

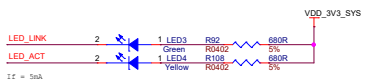
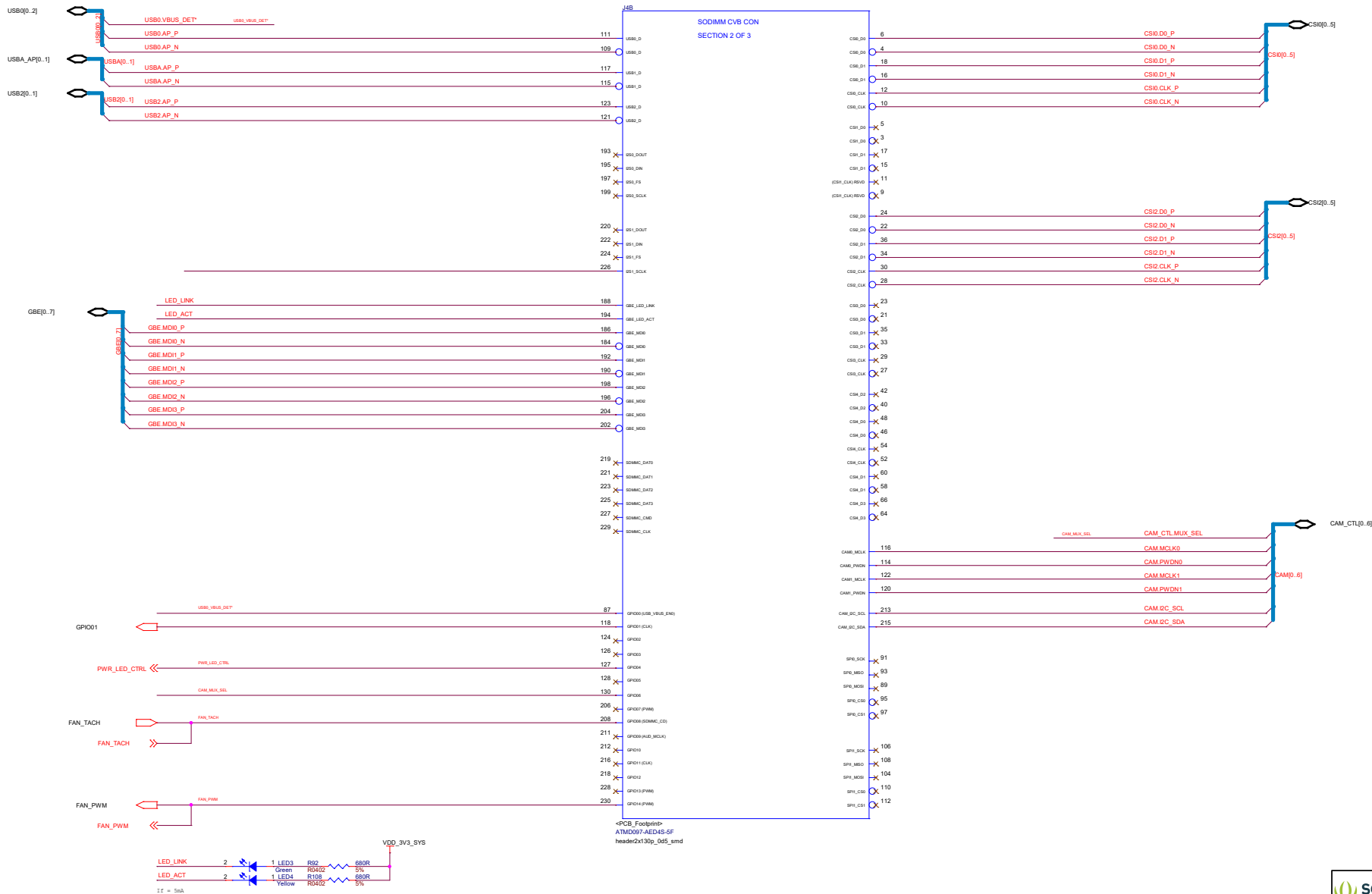


GPIOs, USB2.0, I2S, SPI, GBe and CSI



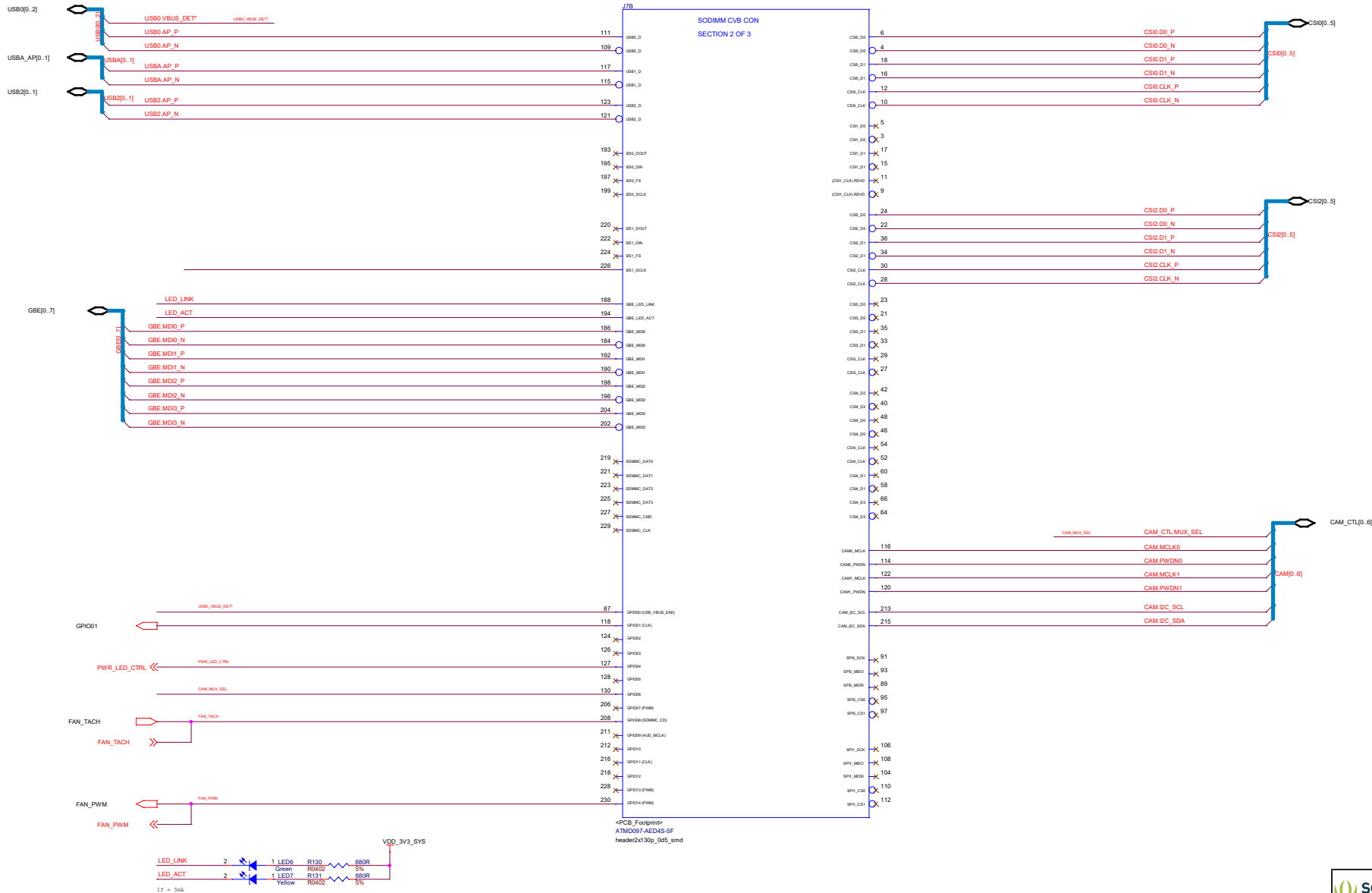
		https://www.seedstudio.com	
		Title: 02_JetsonNano	
Size: Custom	Document Number: 022_SODIMM connector 2_3	Rev: <RevCode>	
Draw By: <Drawing>	Date: Wednesday, December 16, 2020	Sheet: 10 of 25	

GPIOs, USB2.0, I2S, SPI, GBe and CSI



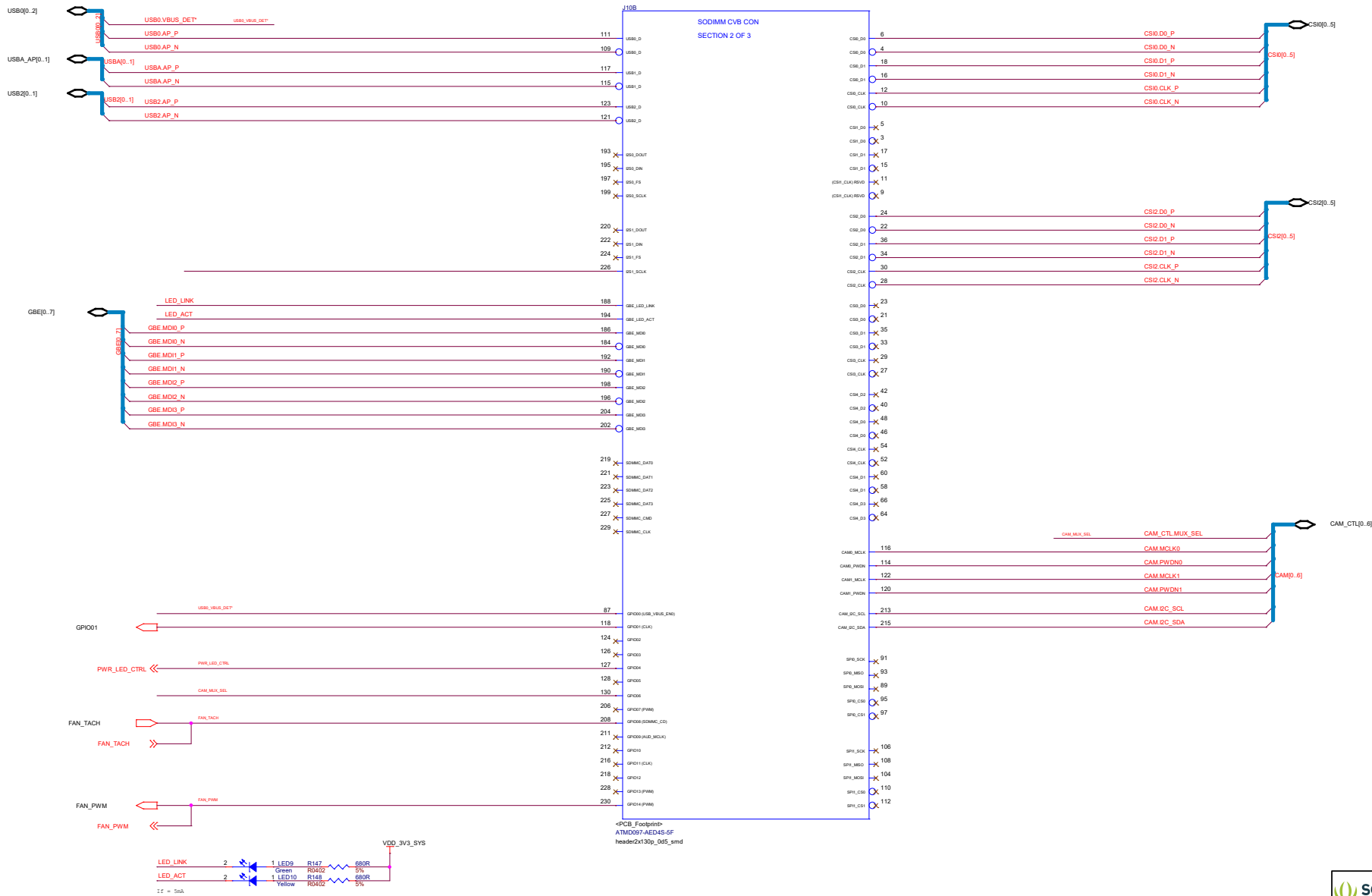
seed The IoT Hardware Enabler		https://www.seedstudio.com	
		Title: 02_JetsonNano	
Size: Custom	Document Number: 022_SODIMM connector 2_3	Rev: <RevCode>	
Draw By: <Drawing>	Date: Wednesday, December 16, 2020	Sheet: 11 of 25	

GPIOs, USB2.0, I2S, SPI, GBe and CSI



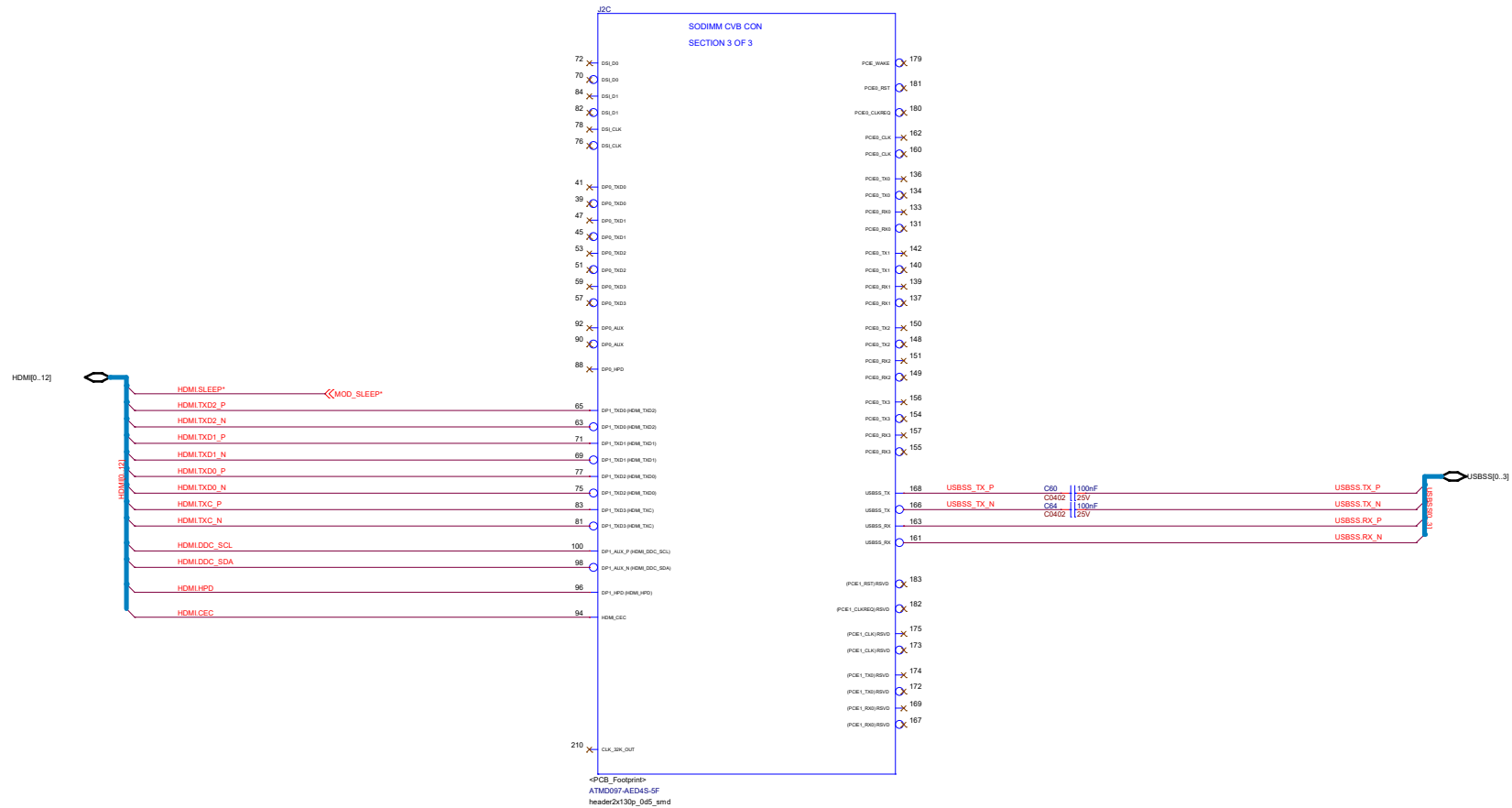
		https://www.seeedstudio.com	
The IoT Hardware Enabler		Title: 02_JetsonNano	
Size: Custom	Document Number: 022_SODIMM connector 2_3	Rev: <RevCode>	
Draw By: <Drawing>	Date: Wednesday, December 16, 2020	Sheet: 12 of 25	

GPIOs, USB2.0, I2S, SPI, GBe and CSI



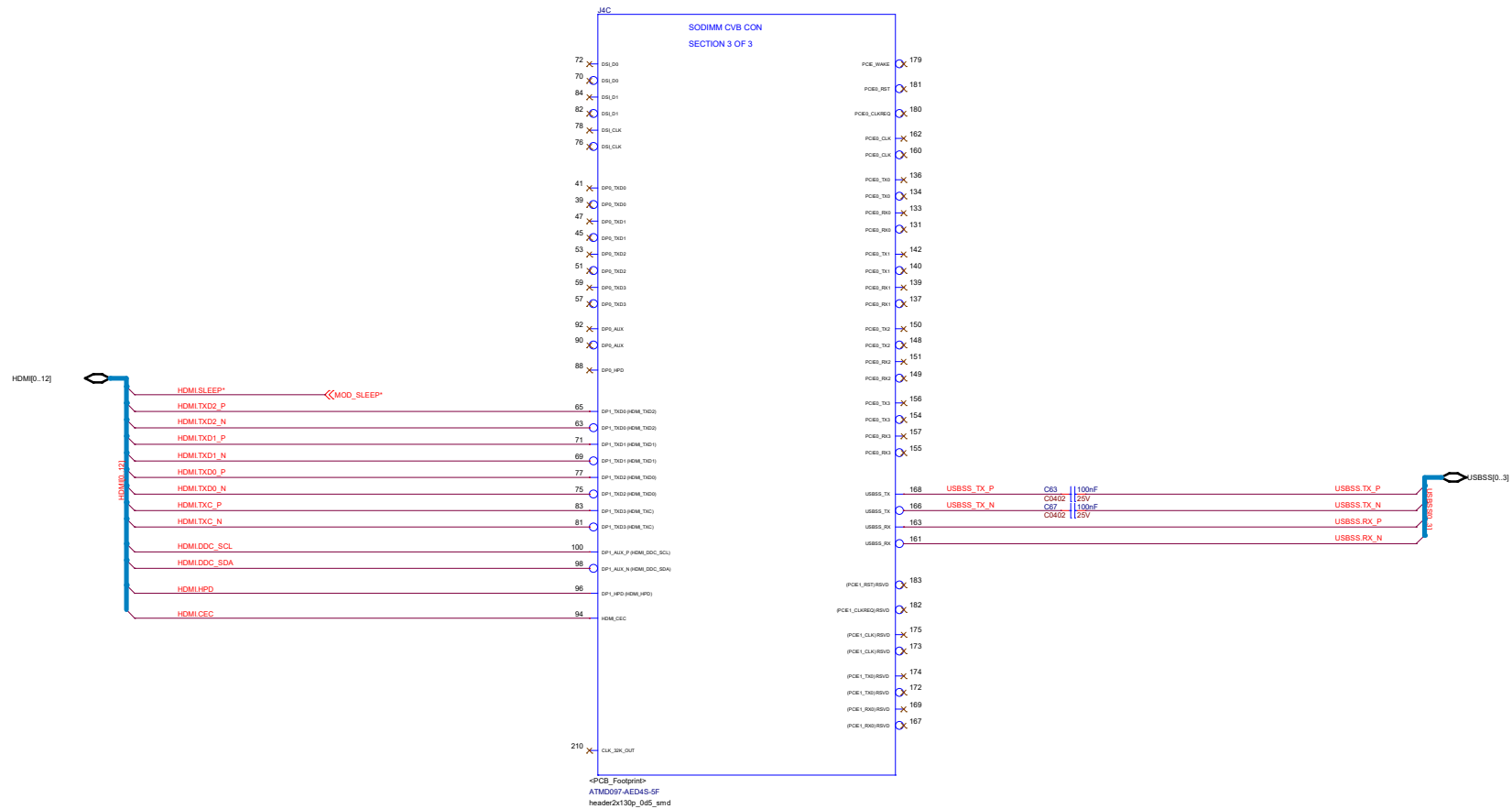
seeed The IoT Hardware Enabler		https://www.seeedstudio.com	
		Title: 02_JetsonNano	
Size: Custom	Document Number: 022_SODIMM connector 2_3	Rev: <RevCode>	
Draw By: <Drawing>	Date: Wednesday, December 16, 2020	Sheet: 13 of 25	

HDMI, DP, DSI, USBSS and PCIe



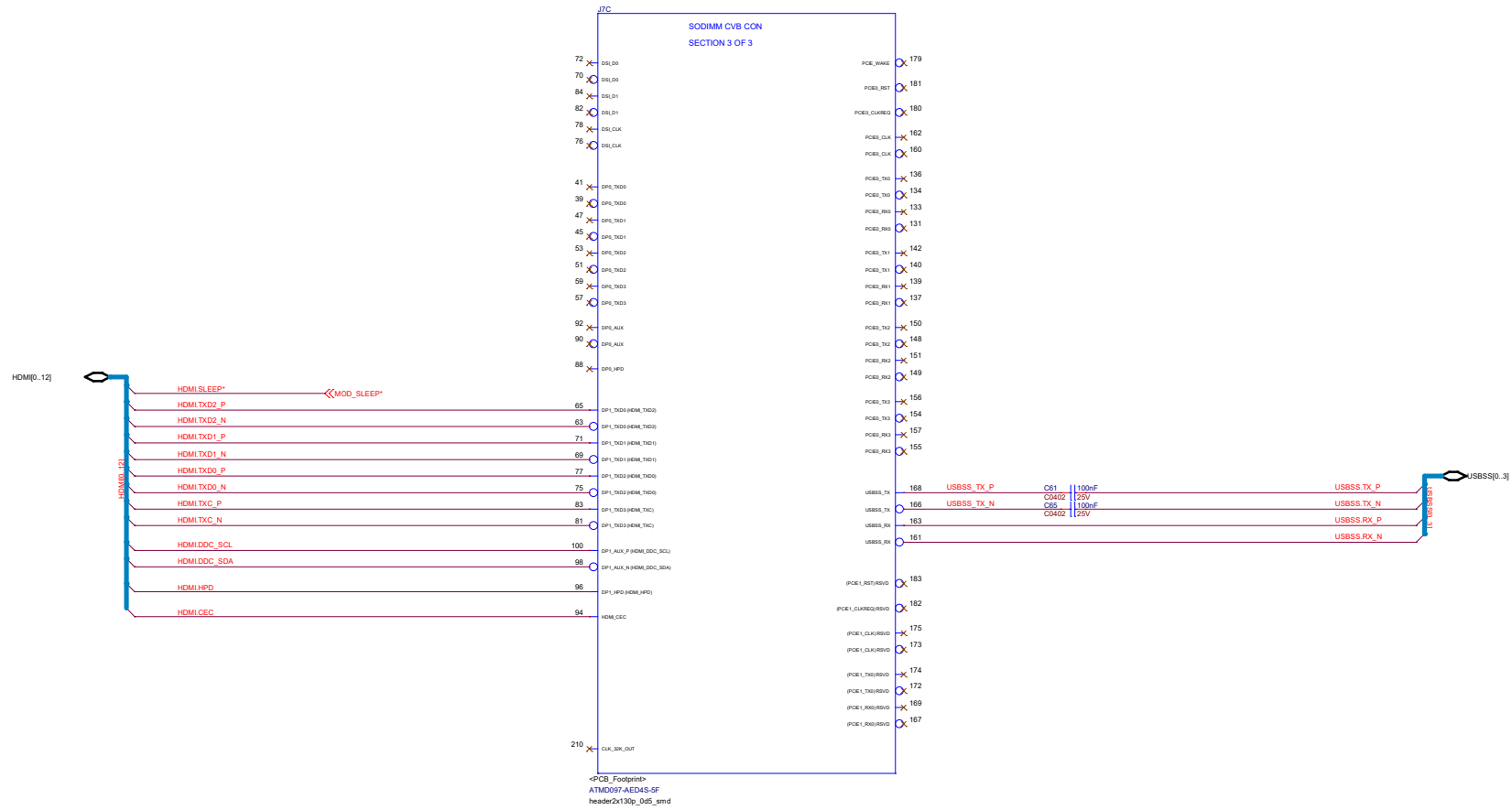
		https://www.seeedstudio.com	
Title: 02_JetsonNano			
Size: Custom	Document Number: 023_SODIMM connector 3_3	Rev: <RevCodes>	
Draw By: <Drawing>	Date: Wednesday, December 16, 2020	Sheet: 14 of 25	

HDMI, DP, DSI, USBSS and PCIe

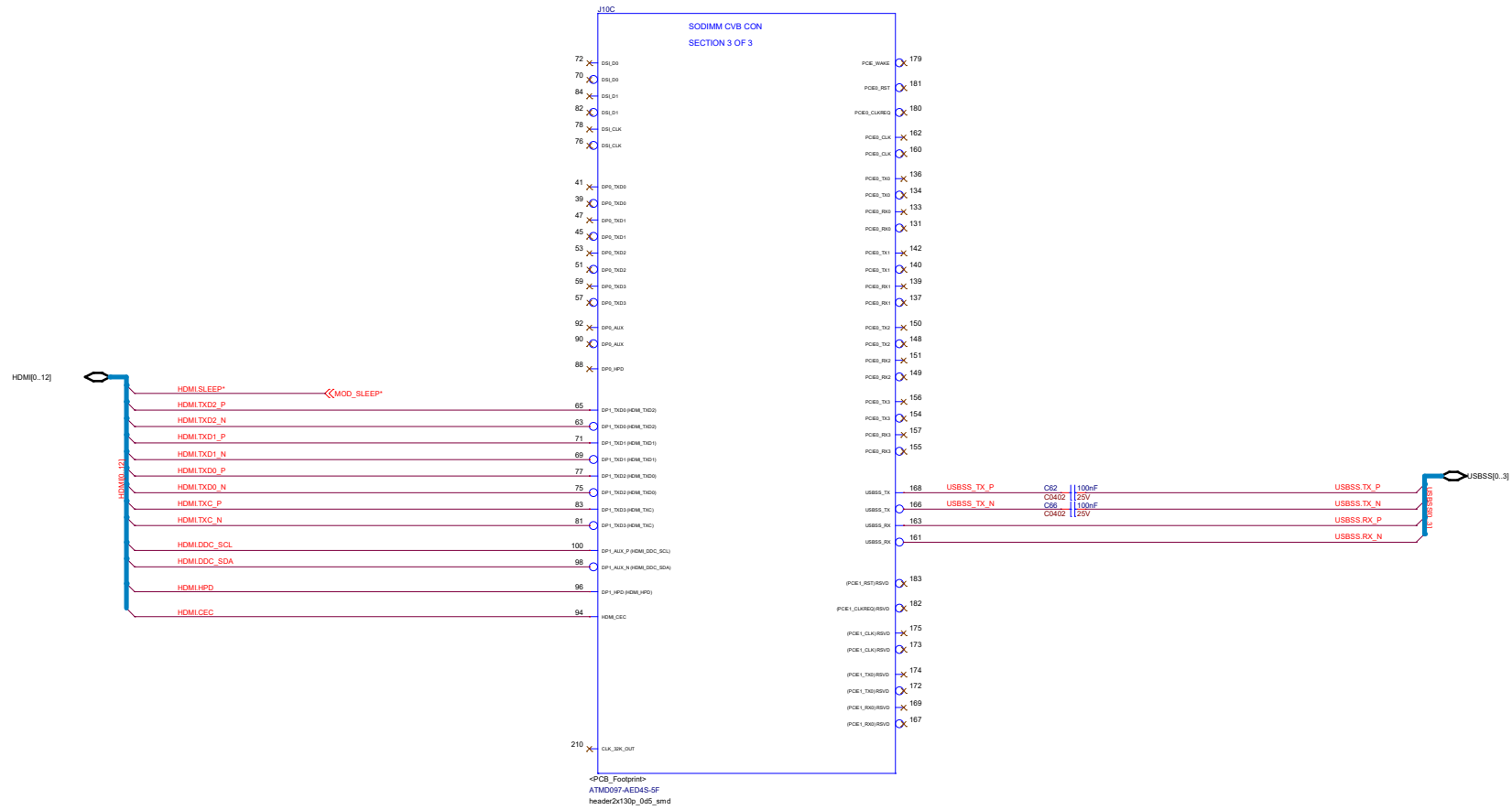


 https://www.seeedstudio.com	
Title: 02_JetsonNano	
Size: Custom	Document Number: 023_SODIMM connector 3_3
Draw By: <Drawing>	Date: Wednesday, December 16, 2020
Rev: <RevCodes>	Sheet: 15 of 25

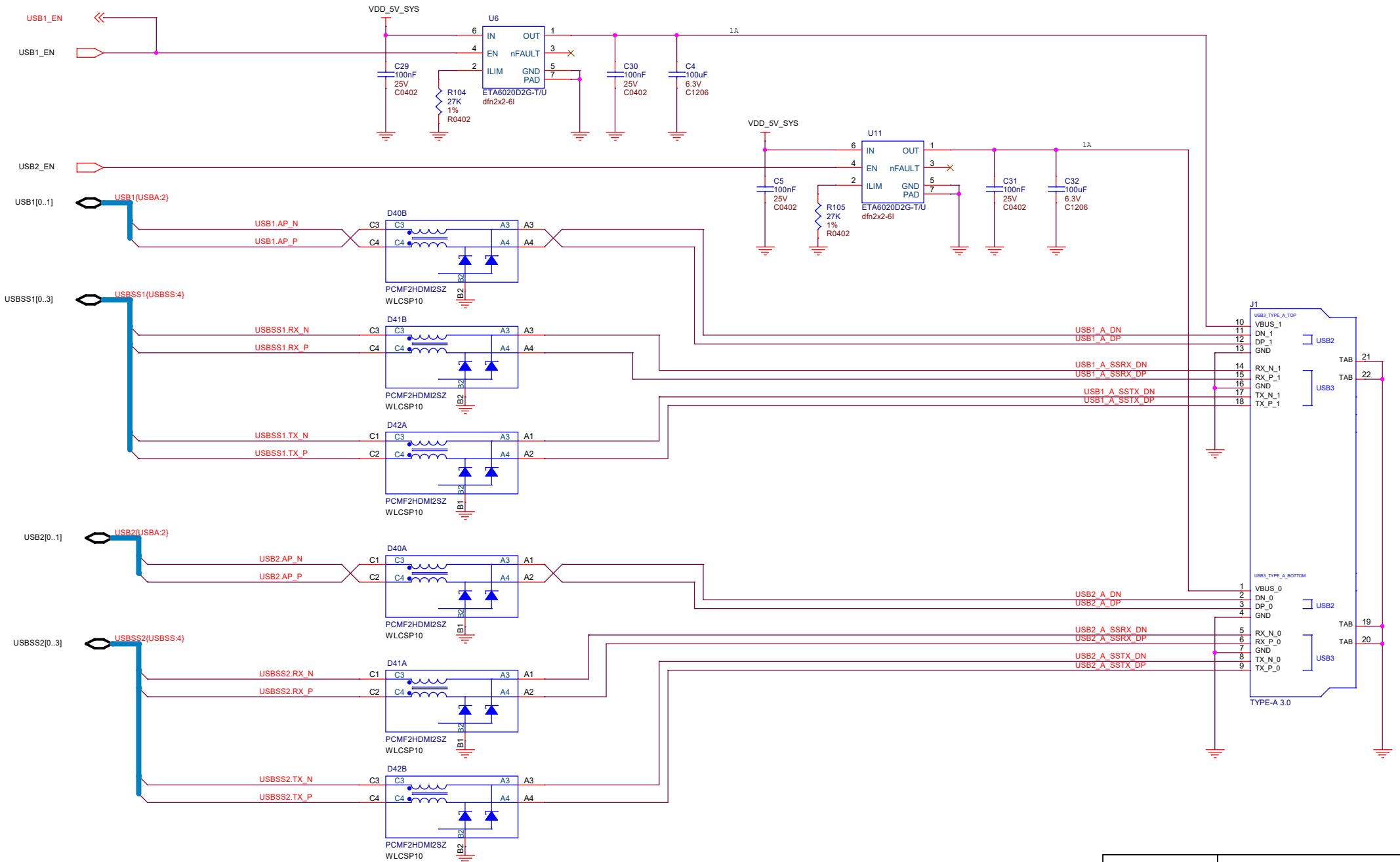
HDMI, DP, DSI, USBSS and PCIe

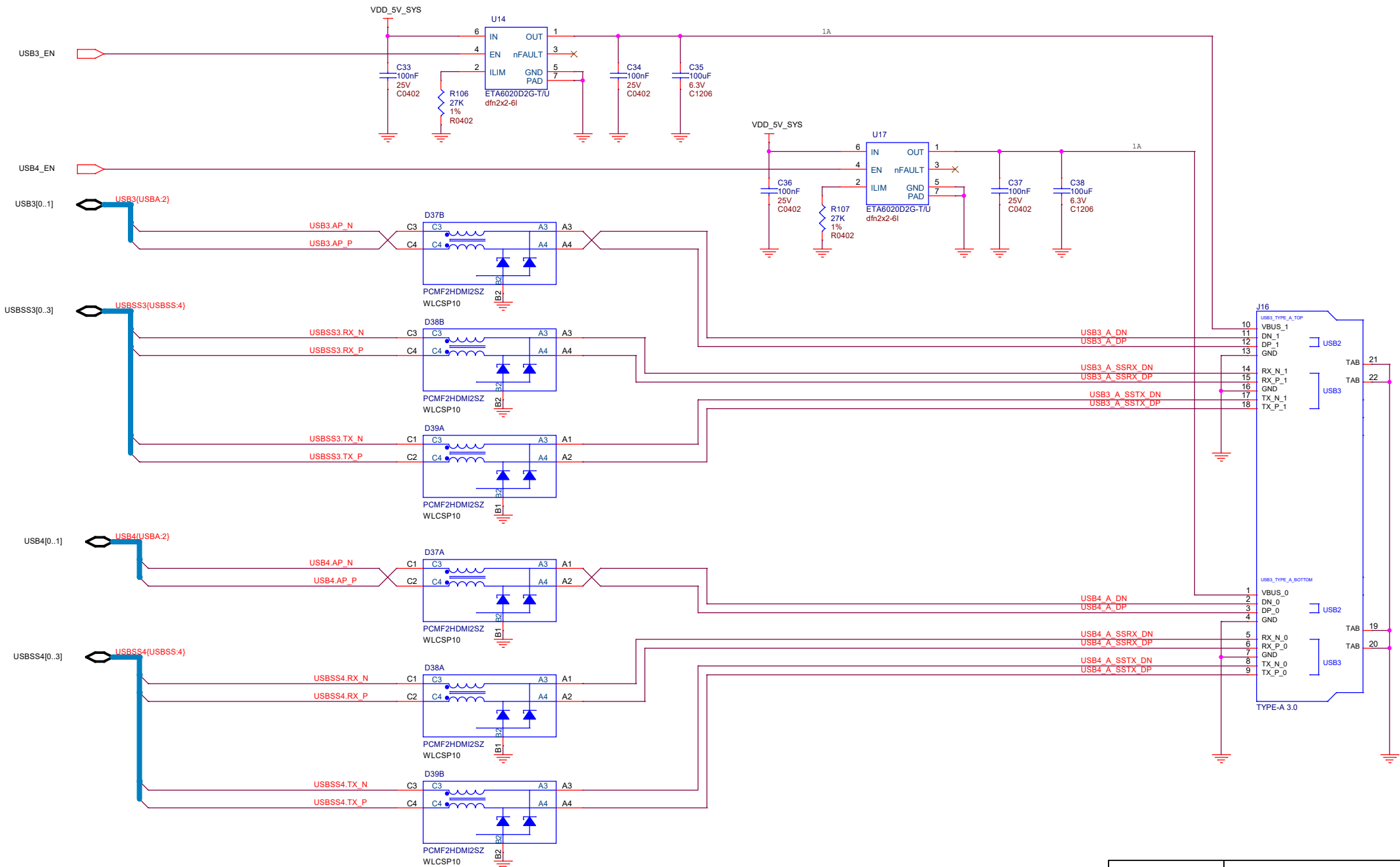


HDMI, DP, DSI, USBSS and PCIe

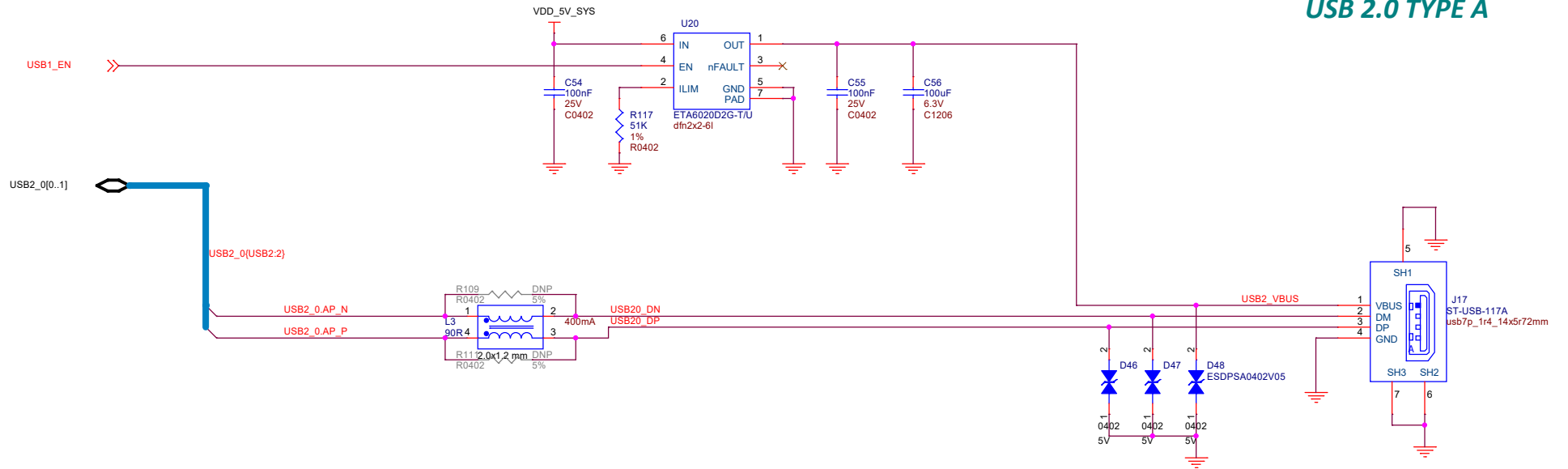


USB 3.1 TYPE A x2

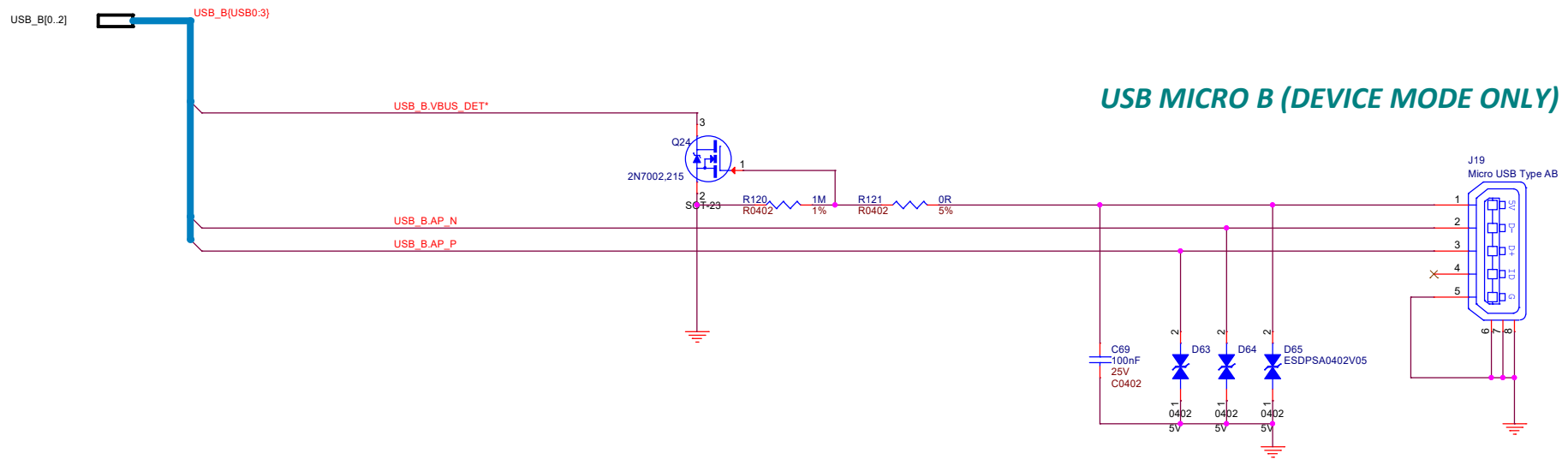




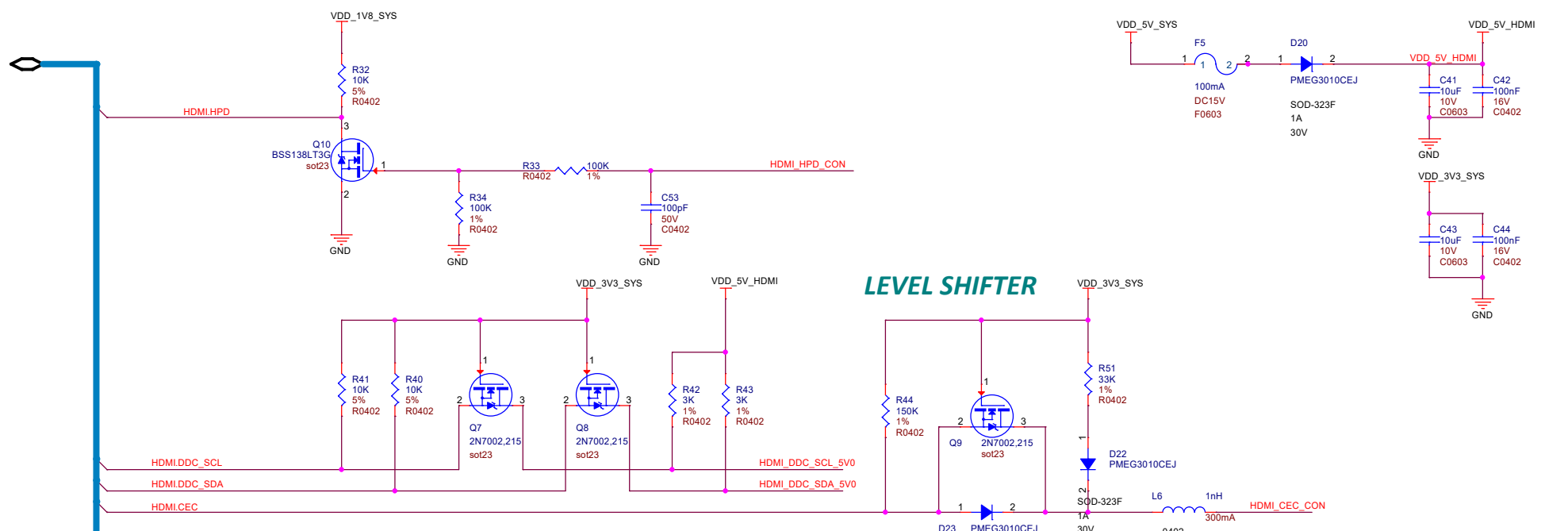
USB 2.0 TYPE A



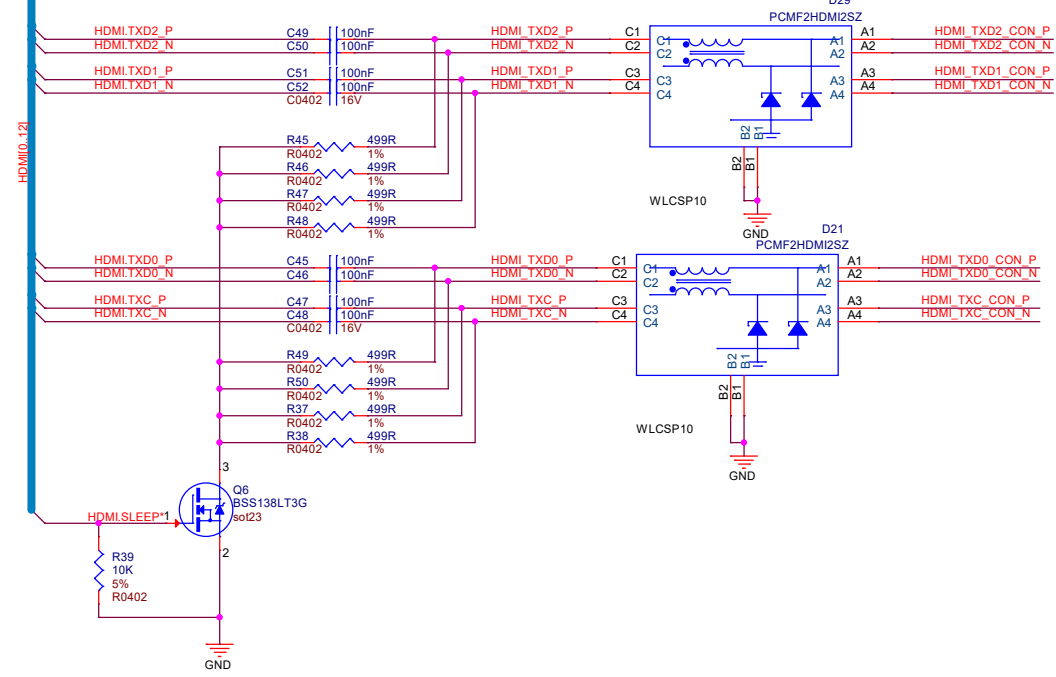
USB MICRO B (DEVICE MODE ONLY)



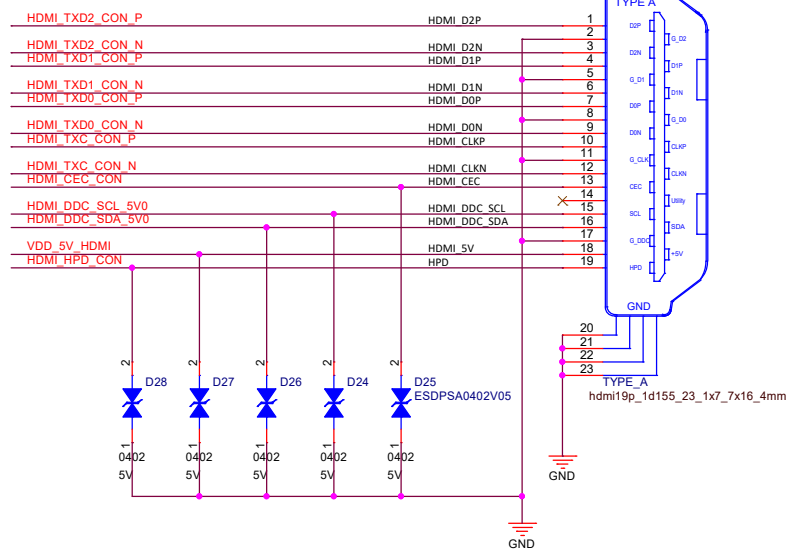
HDMI[0..12]



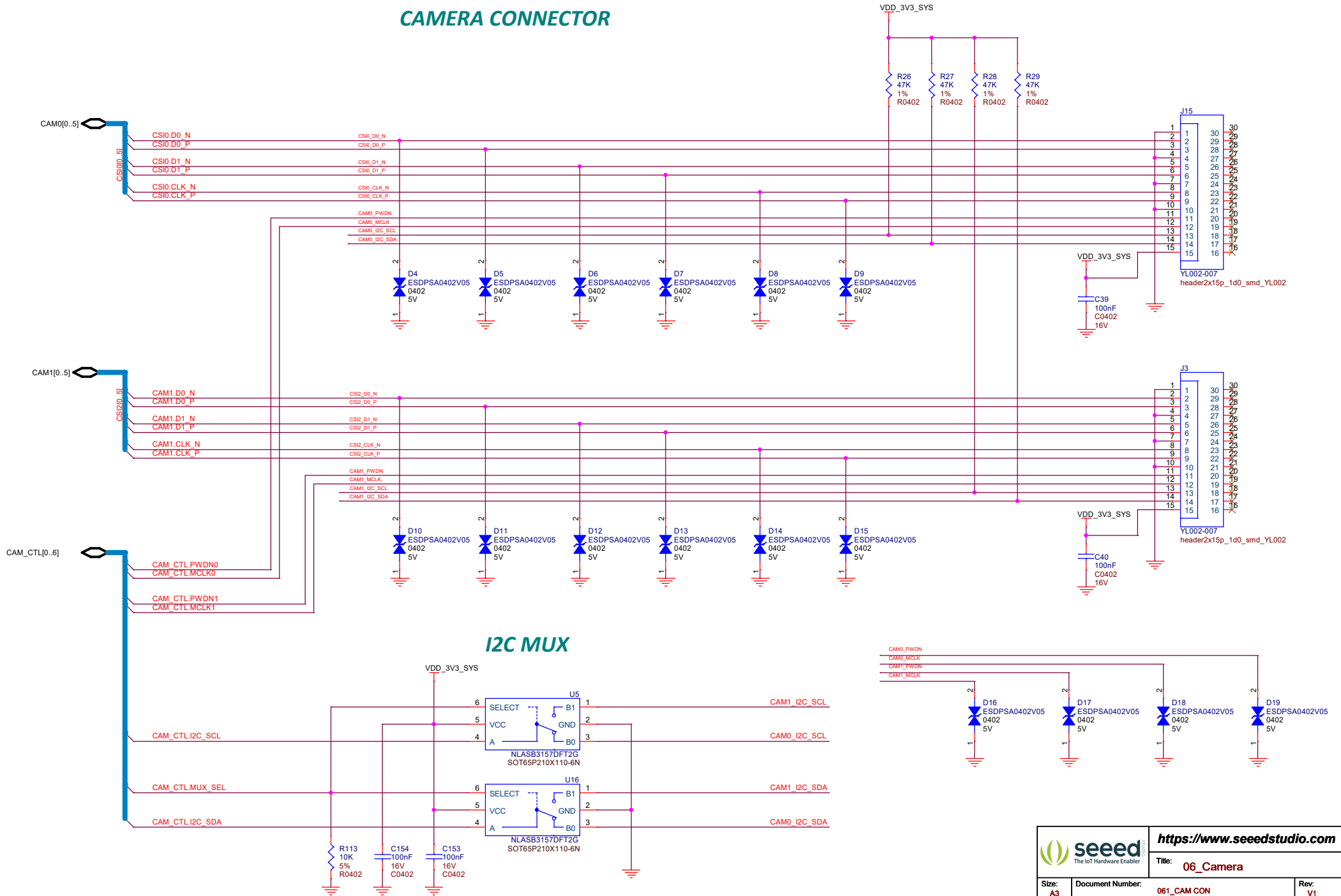
HDMI data EMI/ESD




HDMI TYPEA

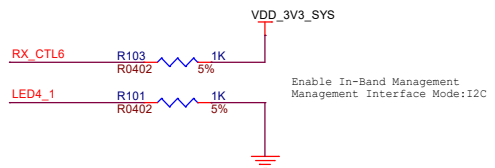
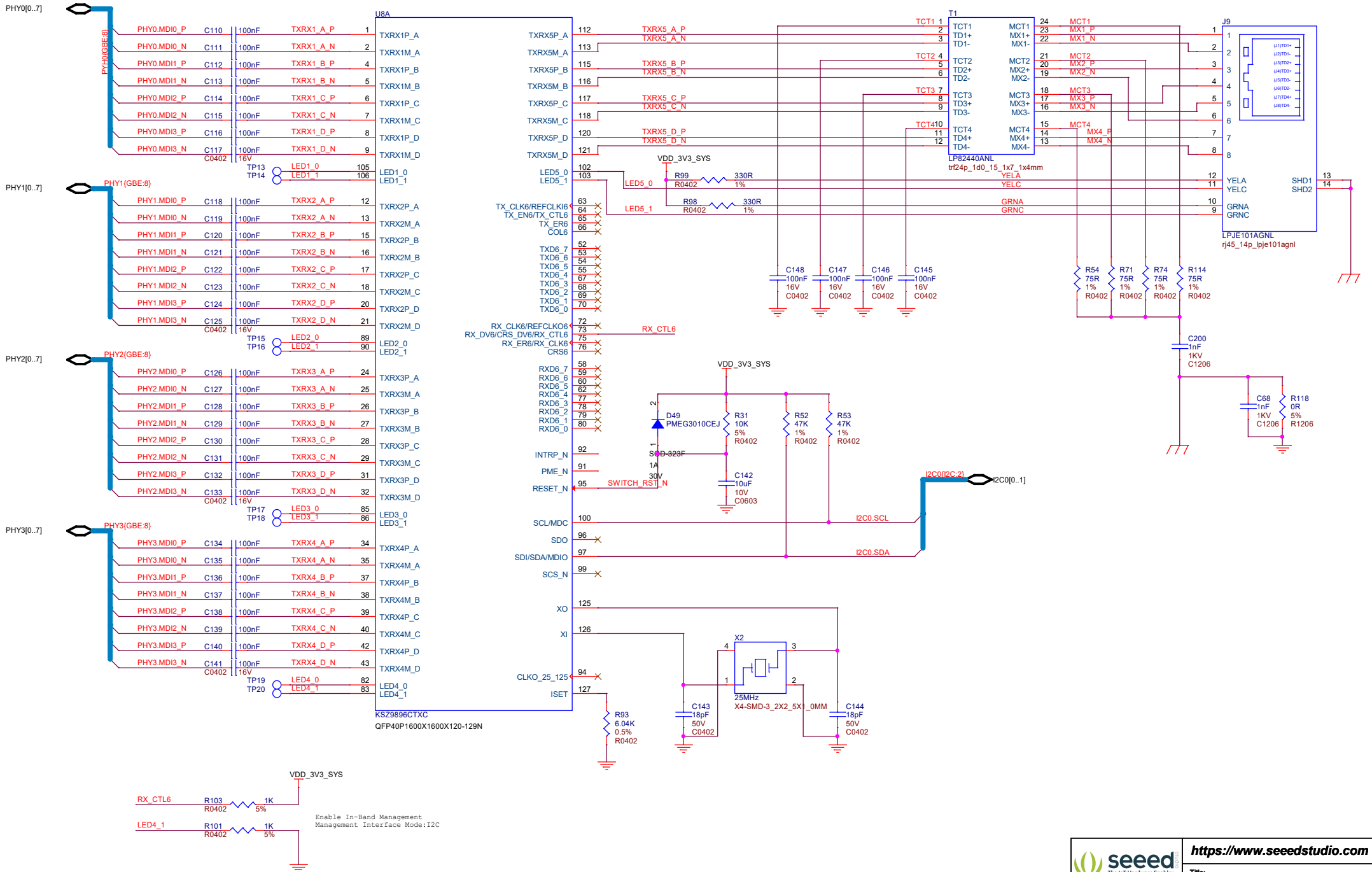


CAMERA CONNECTOR



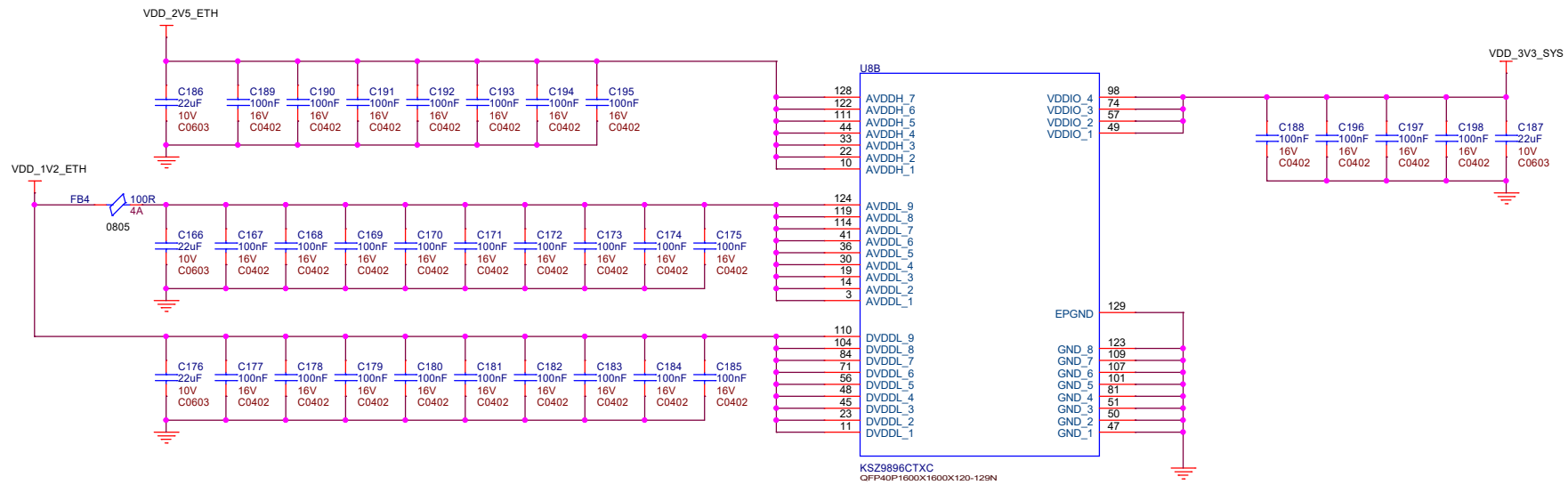

<https://www.seeedstudio.com>
 The IoT Hardware Enabler
Title: 06_Camera
 Size: A3 | Document Number: 061_CAM CON | Rev: V1
 Draw By: <Drawing> | Date: Wednesday, December 16, 2020 | Sheet: 22 of 25

GIGABIT ETHERNET SWITCH

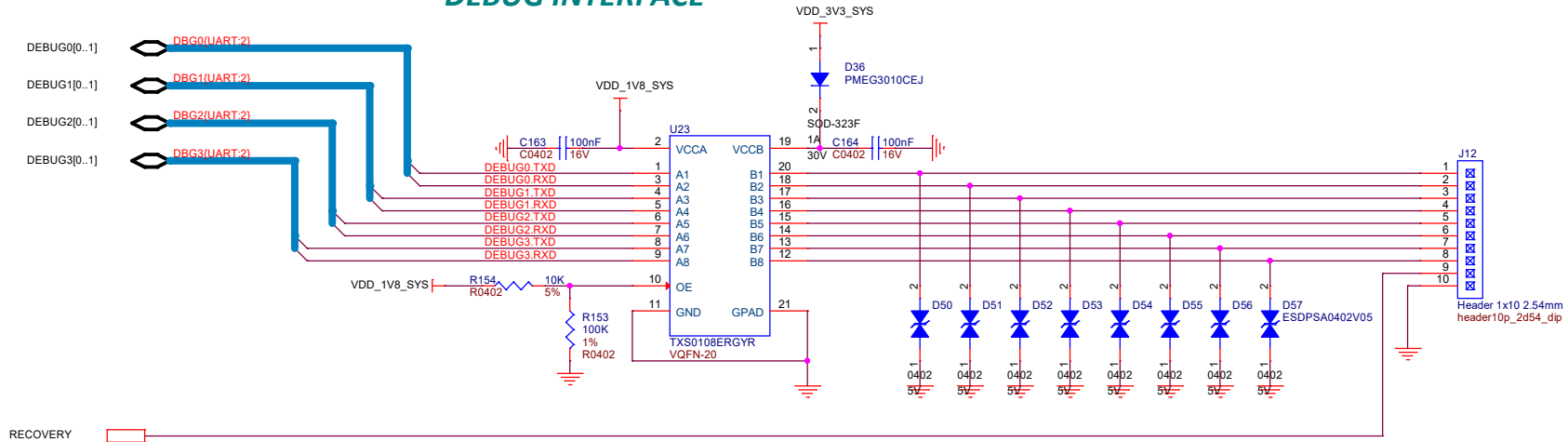


		https://www.seeedstudio.com	
		Title: 07_Ethernet Switch	
Size: A3	Document Number: 071_GBE_SWITCH	Rev: V1	Draw By: <Drawing>
Date: Wednesday, December 16, 2020		Sheet: 23 of 25	

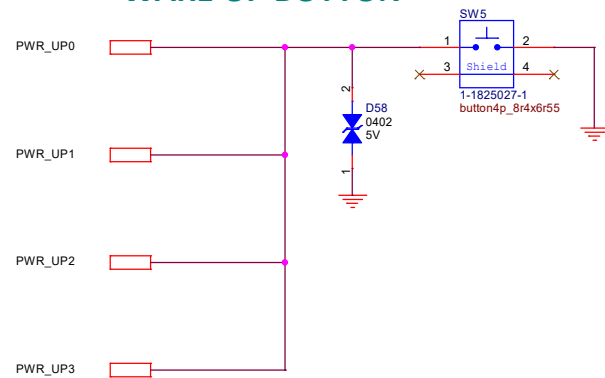
GIGABIT ETHERNET SWITCH POWER



DEBUG INTERFACE



WAKE UP BOTTON



FAN CTL

