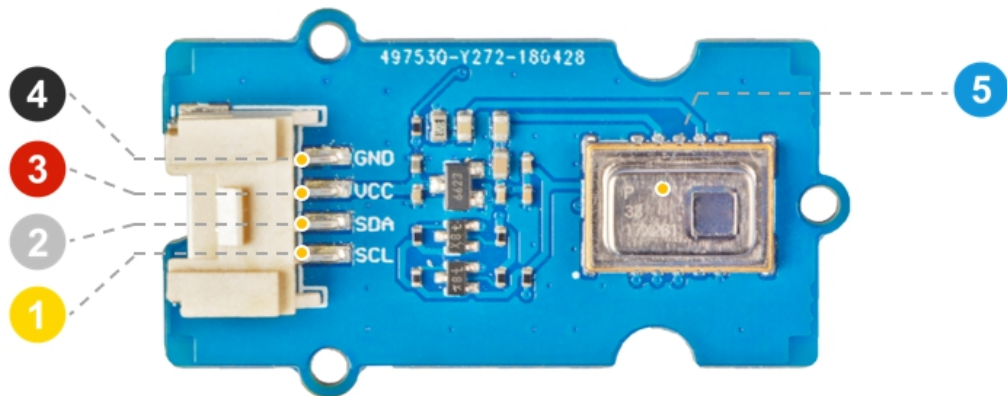
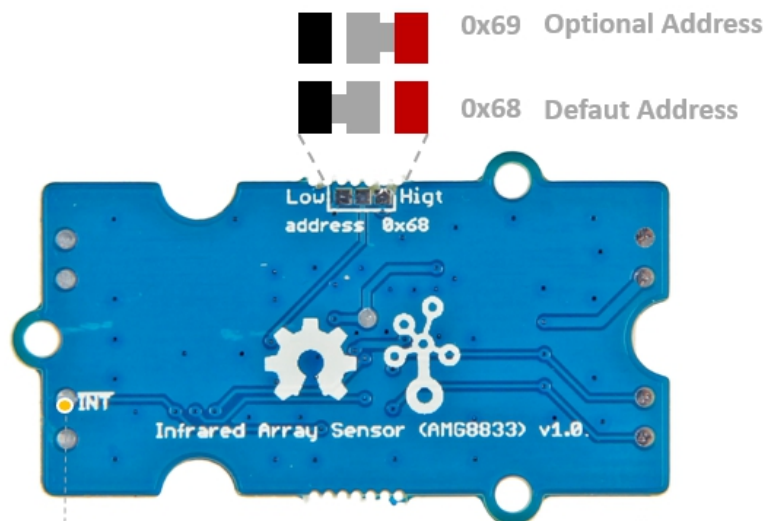


SeedStudio Grove Infrared Temperature Sensor Array (AMG8833)

Pin Out



- 4 GND: connect this module to the system GND
- 3 VCC: you can use 5V or 3.3V for this module
- 2 SDA: I²C serial data
- 1 SCL: I²C serial clock
- 5 the AMG8833 module



$\overline{\text{INT}}$ Pin

normally has same voltage as VDD, when interrupting, same as GND (0V)