

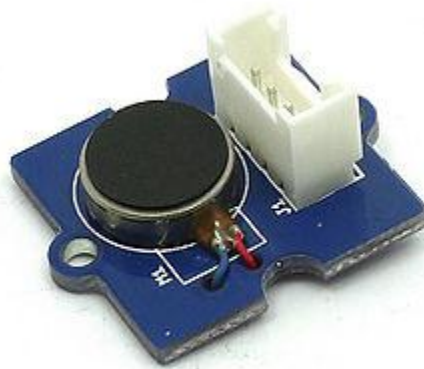
RB-See-210

Seedstudio Grove Vibrating Motor

Grove - Vibrator

Introduction

Vibrator Grove is consist one coin type motor which is a Permanent Magnet coreless DC motor. It vibrates when the input is logic HIGH. It is very easy to drive and Grove compatible. Can be used in toys and cell phone modules.



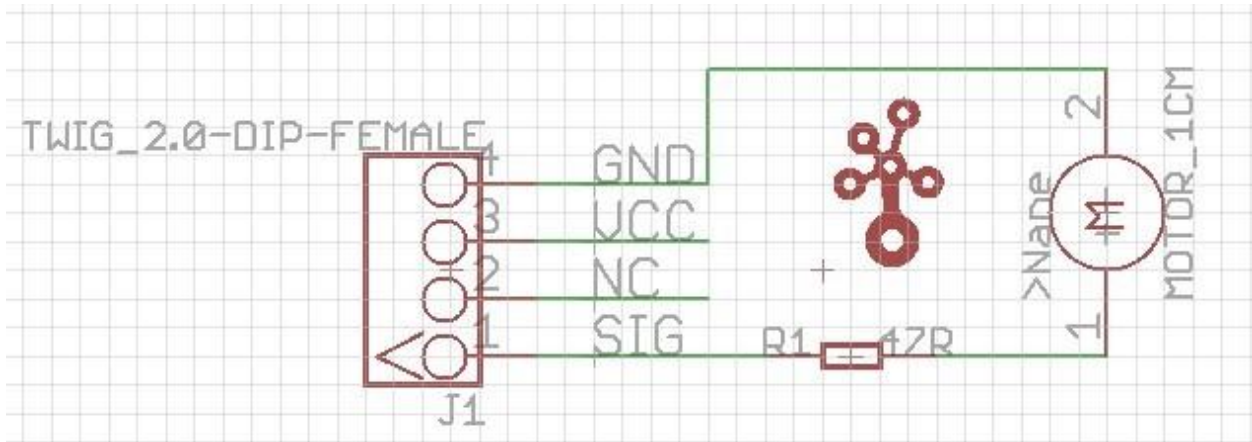
Features

- Grove compatible
- Permanent Magnet coreless DC motor
- Low power consumption
- High reliability

Application Ideas

- Toys
- Used with GPRG Shield
- Game Centre
- Personal Digital Assistants

Schematic



Specification

May include key specification and other specifications.

Key Specification

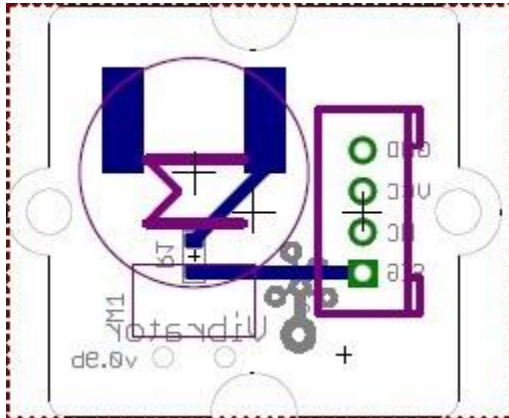
Item	Minimum	Maximum
Operate voltage	3.0V	5.0V
Communication Protocol		

Pin definition and Rating

Pad Type	Pin Status	Description
GND	Input	Ground port
SIG	Input	When Logic HIGH, the motor is ON. When LOW, the motor is OFF.
NC	N/A	not connected

VCC	Input	Designed for 5V(+)power supply
-----	-------	--------------------------------

Mechanic Dimensions



Dimension: 2cm X 2cm

Usage

Hardware Installation

Programming

Includes important code snippet. Demo code like :

Demo code

{

```
int MoPin = 9; // vibrator Grove connected to digital pin 9
```

```
void setup() {
```

```
  pinMode( MoPin, OUTPUT );
```

```
}
```

```
void loop() {
```

```
    digitalWrite(MoPin, HIGH);
```

```
    delay(1000);
```

```
    digitalWrite(MoPin, LOW);
```

```
    delay(1000);
```

```
}
```

```
}
```