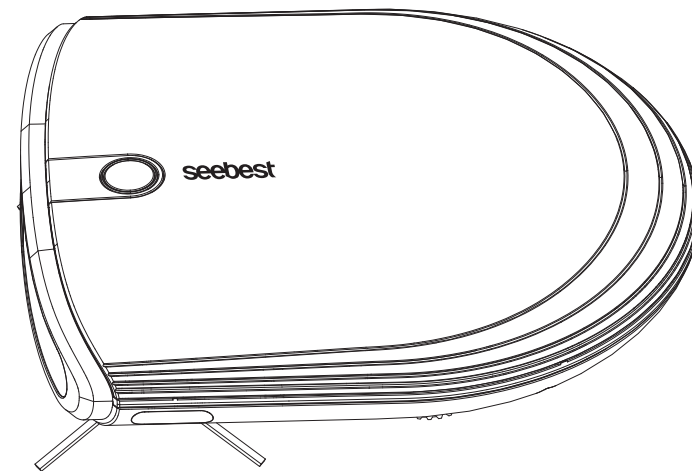


Product name: Robot Vacuum Cleaner

Executive Standard Code: GB4706.1-2005 GB4706.7-2014  
GB4343.1-2009 GB17625.1-2012

# seebest

## MULTIFUNCTIONAL ROBOT VACUUM CLEANER

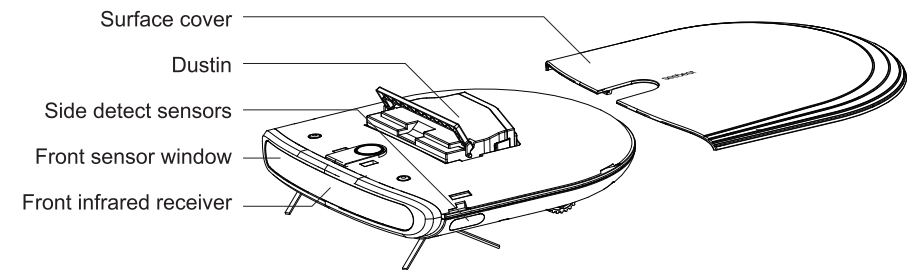
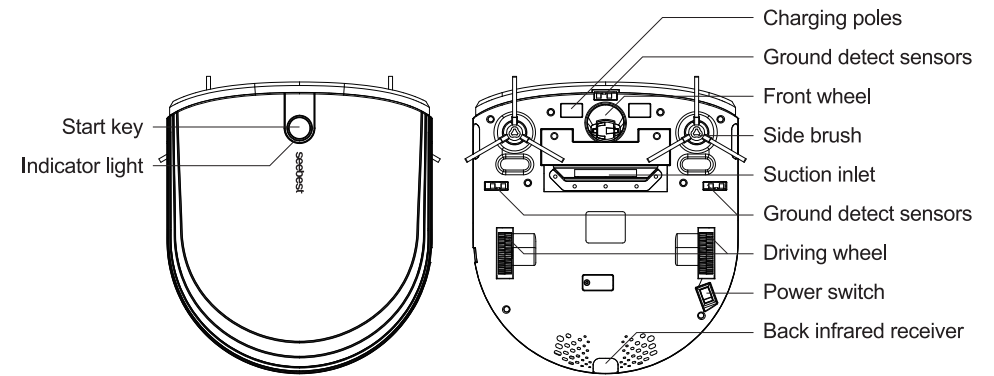


Thank you for buying this product, Please read the instruction manual carefully before using  
Product images are for reference only, Different models may be slightly different

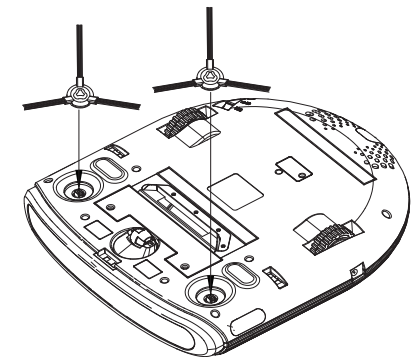
# CONTENT

COMPONENTS OF THE PRODUCT	01
IMPORTANT NOTICE	02
1. Guidelines for safe use	02
2. Notes for charging	02
3. Applicability	02
PRODUCT USE	04
1. Charging of main body	04
2. Power on/operating/pause/power off	04
3. Cleaning mode	05
4. Assemble mop	05
MAINTENANCE	06
1. Brush cleaning	06
2. Dustbin Cleaning	06
3. Wheels and sensor windows cleaning	06
FAILURE CHECKING	07
1. Alarming notice	07
2. Notice	07
PARAMETER	07

## COMPONENTS OF THE PRODUCT



- Before use the product, please take out two side brushes from the package and assemble them onto the bottom of the product softly according to this installation diagram.



## IMPORTANT NOTICE

Please read the following safety instructions and follow all normal safety precautions carefully before using this product. Any operation uncomformable to this manual may result in damage of the product.

## GUIDELINES FOR SAFE USE

- Please remove fragile items and items may entangling side brush and suction channel (e.g. wire and curtain) on the floor before use.
- Don't stand or squat on this product, so as not to cause damage of the machine.
- Please turn off the power switch at the bottom of the machine if the product is not in use for a long time.
- Please remove the wasted battery off the machine for safe recycling before the product is out of service.
- Any technician except for technicians specified by our company shall disassemble, maintain and modify the product.

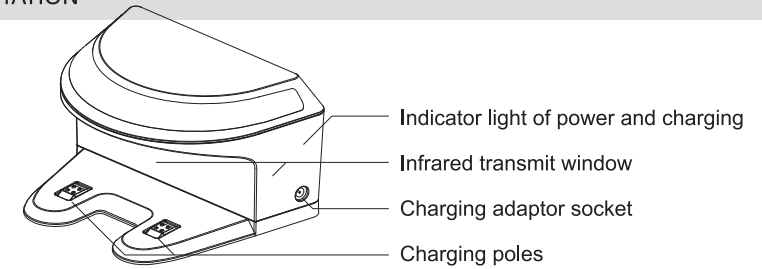
## NOTES FOR CHARGING

- This product can only use the originally equipped power adapter. It may cause damage of the product if you use the other adapter.
- The power shall be supplied in accordance with the voltage indicated on the nameplate of the power adapter.
- It is prohibited to use power adapter if any damage occurred in wire and plug of the power adapter.
- The power plug shall be pulled away from the socket if the machine is not in use for a long time.

## APPLICABILITY

- The product is applicable to dry and flat ground indoors, such as hardwood, ceramic tile etc.
- Please don't use this product in humidity (such as the bathroom).
- Please don't use this product outdoors.

## DOCKING STATION



## INDICATOR LIGHT OF DOCKING STATION CHART

STATUS OF DOCKING STATION	INDICATOR LIGHT
Connect with adaptor	Red light keeps on
Connect with main body	Blue light flashes

## REMOTE CONTROL

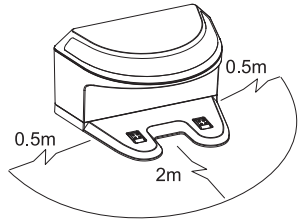
	KEYS	DESCRIPTIONS
	Power	• Press this key when cleaner is working, will enter standby mode
	Charging	• Enter auto charging mode
Direction key	Forward	• Press this key, cleaner goes forward
	Backward	• Press this key, cleaner goes backward
	Left	• Press this key, cleaner goes left
	Right	• Press this key, cleaner goes right
	Pause	• Press this key when cleaner is working, will enter standby mode
	Auto clean	• Press this key, cleaner will enter auto clean mode
	Spot clean	• Press this key, cleaner will enter spot clean mode
	Edge clean	• Press this key, cleaner will enter edge clean mode
	Z mode	• Press this key, cleaner will enter Z mode
	Left spiral	• Press this key, cleaner will enter left spiral mode
	Right spiral	• Press this key, cleaner will enter right spiral mode

### ⚠ Notes :

- Before using remote control, please take out the plastic piece that insulate the battery to make power on.
- Battery type is CR2032, +3V button battery.
- Don't use the remote control near the docking station.

## PRODUCT USE

### CHARGING OF MAIN BODY



- Put the auto charging docking station in place and connect the adapter. The red power indicator light on the auto charging docking station keeps on.

**Notes:** Place the docking station along the wall. No obstacle or hollow areas 2m away from the Docking Station in the front and 0.5 on the left and right (Refer to Figure )

- The following three methods can be used to charge the main body.

**A: Automatic return** When the battery of machine is low at work, the orange indicator light will be on and the buzzer will alarm the low battery, then the machine will enter the state of looking for docking station and match the docking station automatically for charging.

**B: Artificial selection** When the main body is in standby state or working, press the Docking key, the main body will search docking station for charging

**C: Manual operation** Place the main body on the auto charging docking station manually. Pay attention to the well contact between the charging pole pieces at the bottom of main body and the charging pole pieces of docking station.

Charging status chart	CHARGING STATUS	DOCKING STATION	MAIN BODY
	Before charging	The red lights on	The orange light is on(low battery)
	During charging	The blue light flashes	The green light flashes
	Fully charged	The blue light flashes	The green light keeps on

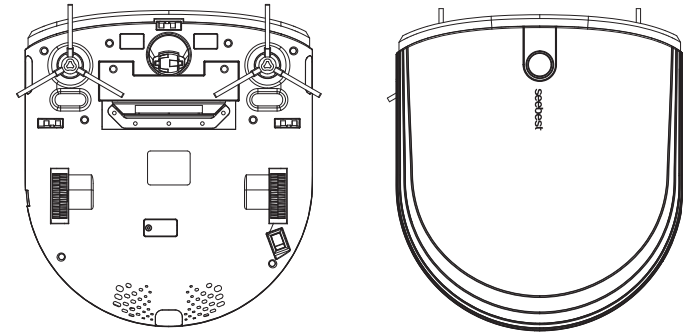
**Notes:**

- Please make sure the docking station connect well with the adapter.
- If you don't use the cleaner for a long time, please fully charge the cleaner and turn off. If not use for more than 3 months, please charge the cleaner every 3 months to avoid over discharge of the battery.

### POWER ON / OPERATING / PAUSE / POWER OFF

- Power on** Power on the main body by turning on the power switch and the main body will be in standby mode.

- Operating** Operate the machine by pressing the start key on the robot, it will enter working state.
- Pause** Pressing the start key on the robot, it will pause and enter standby state.
- Power off** Turn off the power switch of the main body, robot is powered off.



### CLEANING MODE

In order to adapt to different ground environment and achieve a more thorough cleaning, the main body is equipped with various cleaning modes.

**Auto cleaning mode**

Press the key on the main body, or the Auto clean key on remote control, the main body will enter Z mode, and in specific situation, it will enter edge clean mode.

**Spot cleaning mode**

Press Spot clean on remote control, the main body will enter spiral mode of cleaning in a range of about 1 m<sup>2</sup> area, and will stop after 2 minutes of cleaning.

**Edge cleaning mode**

The robot will clean along the wall under this mode, and will enter auto clean mode when finish edge clean.

**Spiral cleaning mode**

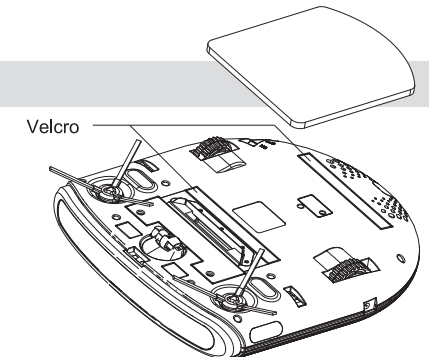
The robot will clean in left or right spiral clean mode, and will enter auto clean mode when finish spiral clean.

### ASSEMBLE THE MOP

- If you need to use the mopping function, please take out the mop and stick it on the bottom of the main body as per picture.

**Remark:**

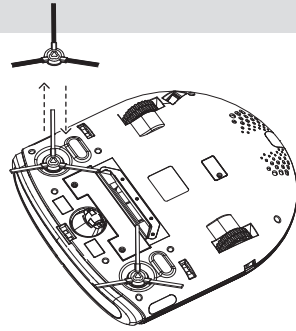
Make sure the mop is stuck smooth and aligned, the mop can only for dry mopping, please don't wet it.



## MAINTENANCE

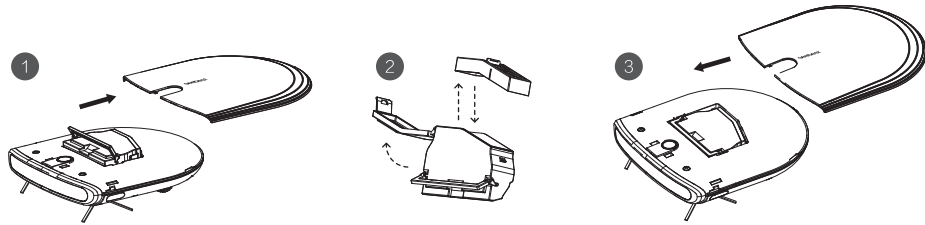
### BRUSH CLEANING

- Please timely clean the brushes when the robot is dirty. Please pull out the brushes for cleaning if needed. If the brushes are damaged, it can be changed.



### DUSTBIN CLEANING

- Please timely clean the dustbin and inner filter after the robot finishes the cleaning. (if you wash the filter, please dry it first and use it again.)



- **Notes:**
  1. Please carefully check the sucking port is clean or not after pulling out the dustbin.
  2. The filter net can be washed, please dry it first and use it again.

### WHEELS AND SENSOR WINDOWS CLEANING

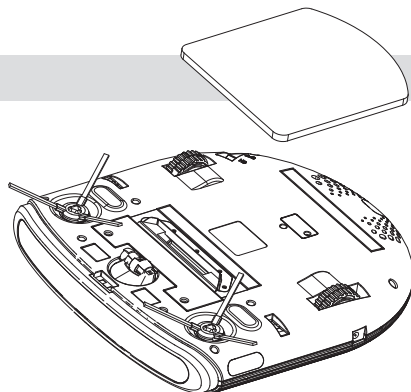
- Pls timely clean the wheels and sensor windows.

### MOP CLEANING

- If use the dry mopping function, when the mop is dirty, please take off the mop, wash it in water and dry it for next time use.

**Remark:**

please carefully when take off the mop, in case of damage the velcro on the bottom of the cleaner.



## FAILURE CHECKING

### ALARMING NOTICE

The robot will give warning tone every 10 seconds when it comes to malfunction.

S/N	WARNING TONE	FAILURE CAUSE	SOLUTION
01	▲	Infrared detecting system problem	Please clean the wheel and ground sensor windows
02	▲▲	Motor problem	Clean the inlet and outlet of motor
03	▲▲▲	Power of the robot is limited	Please charge the robot
04	▲▲▲▲	Left and right wheel problem	Please clean the wheel
05	▲▲▲▲▲	Other problems	Please contact service center

**Notes:**

- Please turn off the robot first and reopen the robot for checking if the above cases can't help you.
- Please contact service center if the above cases and rebooting can't help you.
- Please turn off the robot if don't use it.

## PARAMETER

ITEM	PARAMETER	DOCKING STATION
Rated voltage	== 11V	Input voltage: DC 19V 0.94A
Rated power	15W	
Battery capacity	2200mAh	
Working time	90-120 mins	
Specification	330*300*63mm(including wheel height)	Output voltage: DC 19V 0.94A
G.W.	2.0Kg	
Dustbin capacity	0.35L	
Operating temperature range	0°C-45°C	
Operating humidity range	≤85%RH	
Charging time	3-4H	<b>REMOTE CONTROL</b>
Input rating of adaptor	100-240V AC 50/60Hz	Battery: CR2032, +3.0V
Output rating of adaptor	DC 19V 0.94A	

