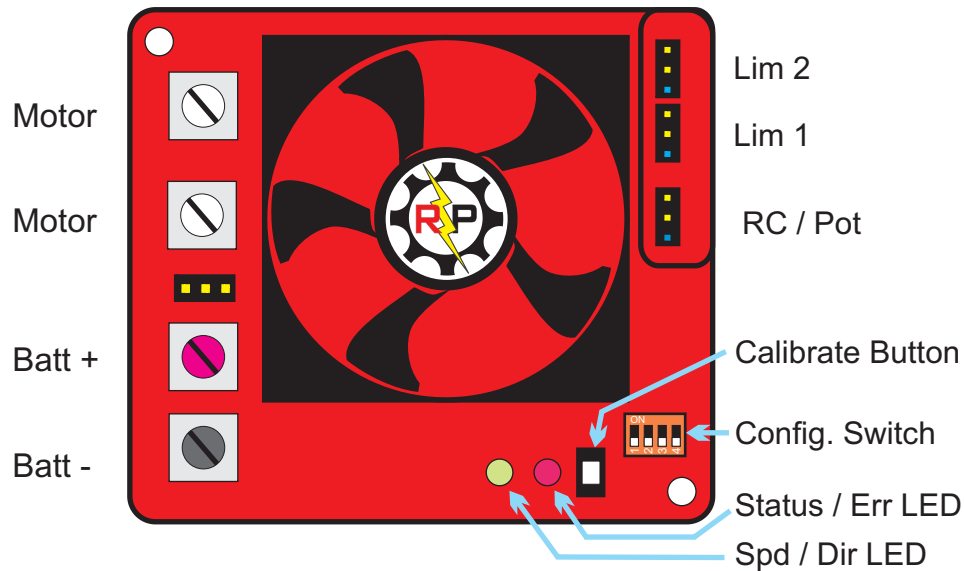




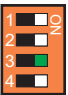
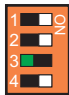
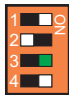
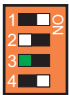

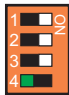
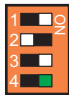
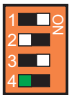


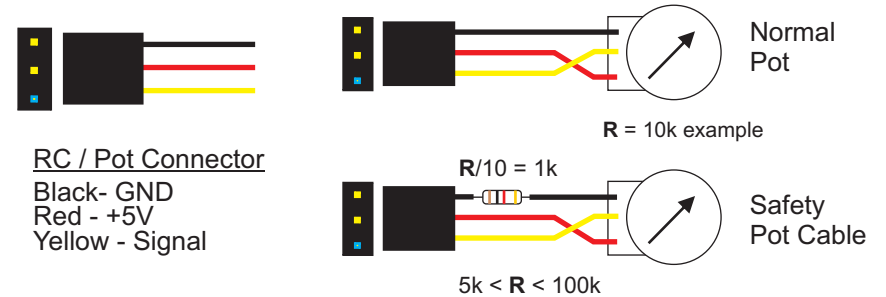
Vyper Motor Control Setup Guide



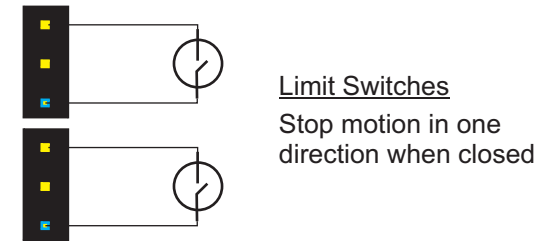
Configuration Switch Setting

<p>SW1 - 5V / BEC</p> <div style="display: flex; justify-content: space-around;"> <div style="text-align: center;">  <p>ON = 5V to RC/Pot connector Center</p> </div> <div style="text-align: center;">  <p>OFF = 5V to RC/Pot Connector unconnected</p> </div> </div>	
<p>SW2 - RC Mode</p> <div style="text-align: center;">  <p>ON = RC Mode</p> </div>	<p>SW2 - Pot Mode</p> <div style="text-align: center;">  <p>OFF = Pot Mode</p> </div>
<p>SW3 - Brake / Coast</p> <div style="display: flex; justify-content: space-around;"> <div style="text-align: center;">  <p>ON = Brake at zero speed</p> </div> <div style="text-align: center;">  <p>OFF = Coast at zero speed</p> </div> </div>	<p>SW3 - Fwd-Rev / Fwd Only</p> <div style="display: flex; justify-content: space-around;"> <div style="text-align: center;">  <p>ON = Fwd / Rev 50% = stop</p> </div> <div style="text-align: center;">  <p>OFF = Fwd Only 0% = stop</p> </div> </div>
<p>SW4 - Lipo cutoff</p> <div style="display: flex; justify-content: space-around;"> <div style="text-align: center;">  <p>ON = Lipo Cutoff ON</p> </div> <div style="text-align: center;">  <p>OFF = Lipo Cutoff OFF</p> </div> </div>	<p>SW4 - Safe Start Mode Motor stopped until 0 speed set</p> <div style="display: flex; justify-content: space-around;"> <div style="text-align: center;">  <p>ON = Safe Start ON</p> </div> <div style="text-align: center;">  <p>OFF = Safe Start OFF</p> </div> </div>

RC / Pot Connection



Limit Switch Operation



Calibrate Button Operation



Calibrate RC

1. Center sticks
2. Press & hold Cal button
3. STAT goes out, release button
4. Move Sticks to max travel
5. Press & release to store

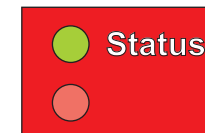
Calibrate Pot

1. Press & hold Cal button
2. STAT goes out, release button
3. Move Sticks to max travel
4. Press & release to store

LED Indicators

Status LED

- Blink Red = Error
- Solid Green = Good Status
- Blink Green = Calibrate Mode



Spd/Dir LED

- OFF = zero speed
- Green = Forward
- Red = Reverse
- Brighter = Faster