

## Product Data Sheet



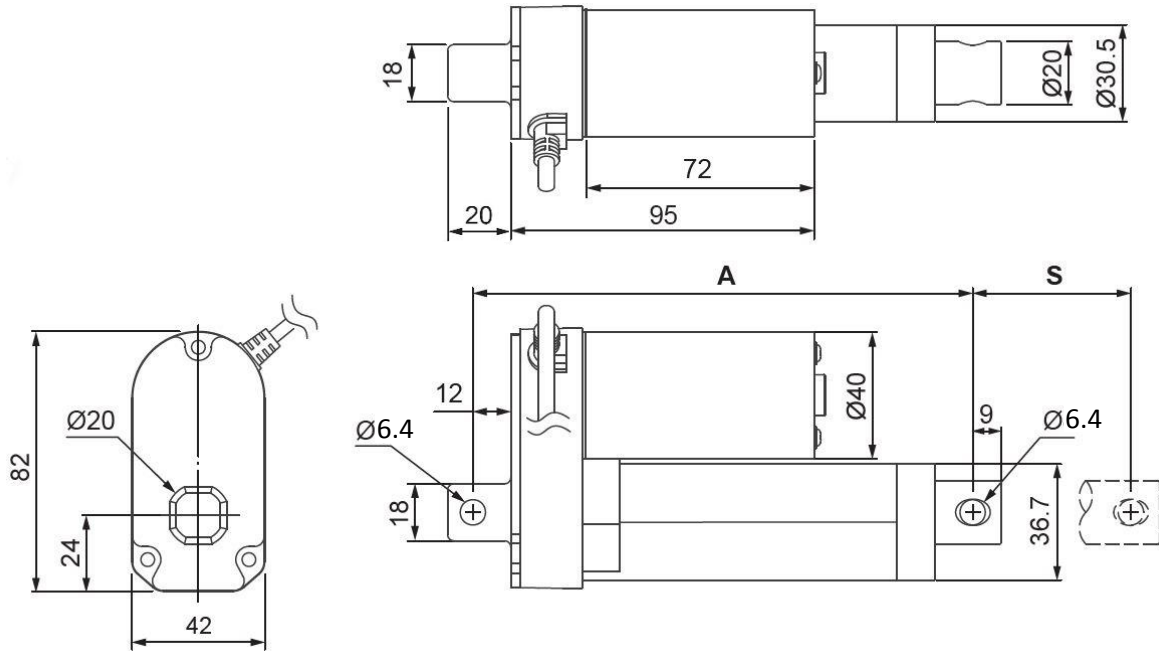
### Standard Features:

- Compact design
- All aluminum frame and extension tube
- Nominal stroke lengths: 2" [50mm], 4" [100mm], 6" [150mm], 8" [200mm], 10" [250mm], 12" [300mm]
- Input voltage: 12VDC, 24VDC
- Standard gear ratio: 20:1 [other ratios available]
- Rated load range: 34 lbs. [150 Newtons] –to- 225 lbs. [1000 Newtons]
- Maximum static load: 562 lbs. [2,500 Newtons]
- Maximum current draw: 3.2 Amps @ 12 VDC
- Speed at no load: 0.28 in/sec [7 mm/sec] –to- 1.73 in/sec [43.9 mm/sec]
- Speed at full load: 0.22 in/sec [5.5 mm/sec] –to- 1.44 in/sec [36.5 mm/sec]
- Standard preset limit switches at both ends of stroke
- Noise level:  $\leq 70$ dB
- Mounting hole diameter (both ends): 1/4" [6.4mm]
- Duty cycle: 25% or 1 min continuous operation in 4 min.
- Working temperature: -13F [-25C] +149F [+65C]
- IP rating: IP65

### Accessories:

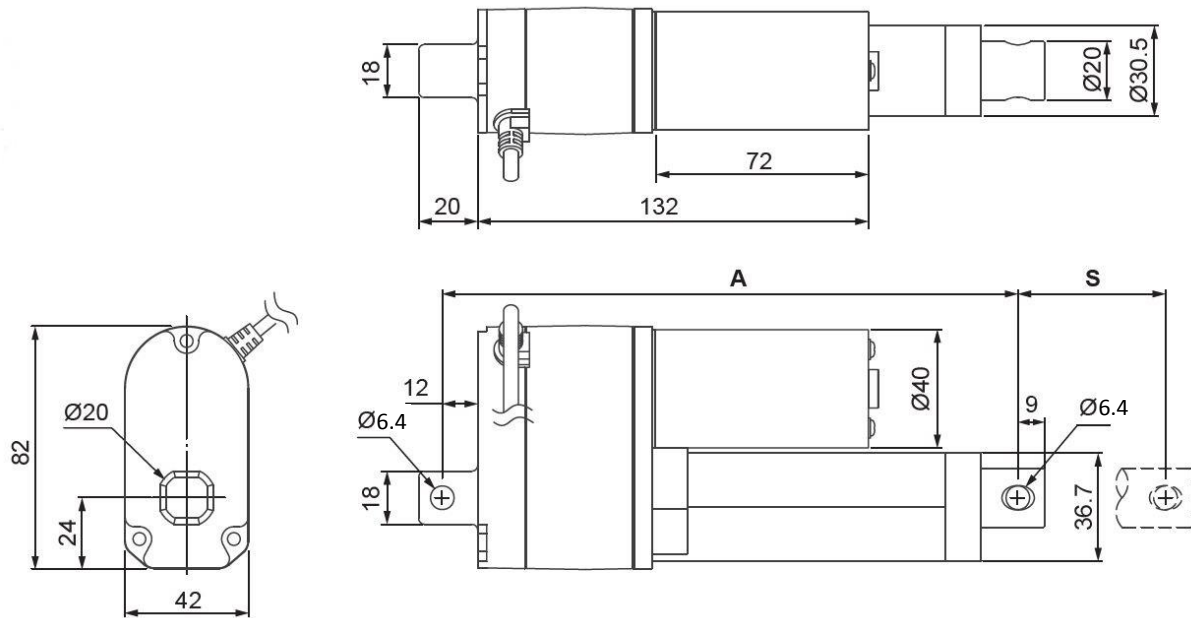
- Mounting brackets
- Direction reversing switches
- Wired and wireless controllers
- Direction reversing relays

**Dimensions – Actuator Without Potentiometer**



Nominal Stroke	2"		4"		6"		8"		10"		12"	
	in	mm	in	mm	in	mm	in	mm	in	mm	in	mm
Actual Stroke (S)	1.97	50	3.94	100	5.91	150	7.87	200	9.84	250	11.81	300
Retracted Length (A)	6.22	158	8.23	209	10.24	260	12.24	311	14.25	362	16.26	413
Extended Length	8.19	208	12.17	309	16.14	410	20.19	511	24.09	612	28.07	713

### Dimensions – Actuator With Potentiometer

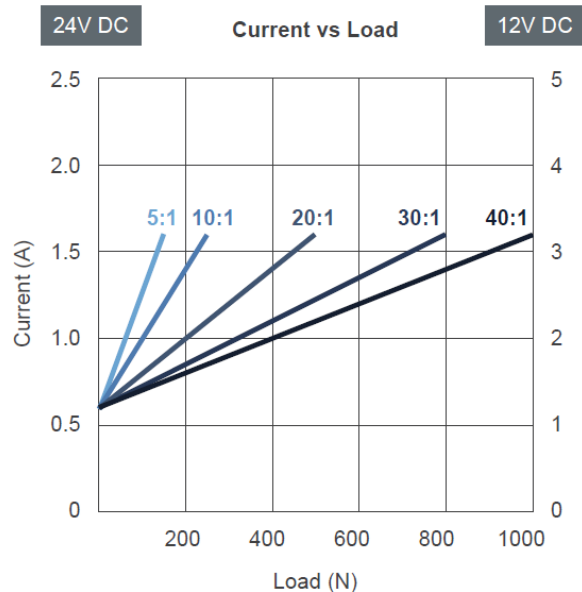
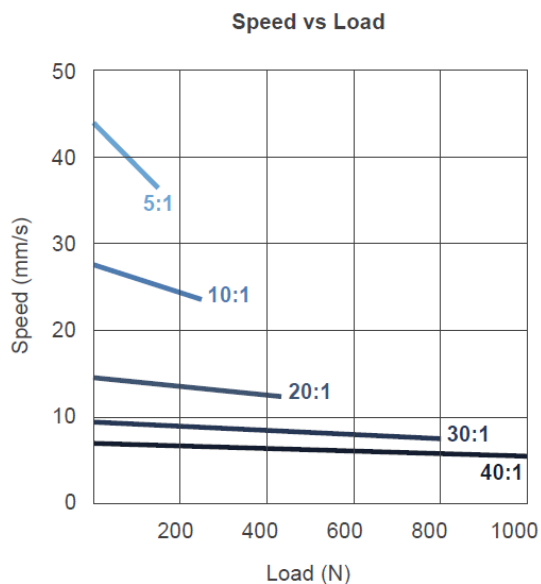


Nominal Stroke	2"		4"		6"		8"		10"		12"	
	in	mm	in	mm	in	mm	in	mm	in	mm	in	mm
Actual Stroke (S)	1.97	50	3.94	100	5.91	150	7.87	200	9.84	250	11.81	300
Retracted Length (A)	7.68	195	9.69	246	11.69	297	13.70	348	15.71	399	17.72	450
Extended Length	9.65	245	13.62	346	17.60	447	21.57	548	25.55	649	29.53	750

## Performance Data

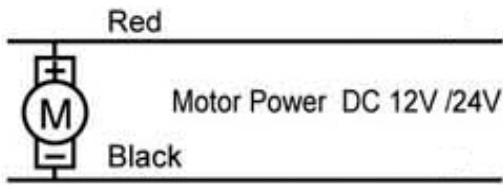
Gear Ratio	Max Load/Dynamic		Speed/No Load		Speed/Max Load	
	Lbs. [US]	Newtons	inches/sec	mm/sec	inches/sec	mm/sec
5:1	34	150	1.73	43.9	1.44	36.5
10:1	56	250	1.09	27.6	0.93	23.5
20:1	112	500	0.57	14.6	0.48	12.3
30:1	180	800	0.37	9.5	0.30	7.5
40:1	225	1000	0.28	7.0	0.22	5.5

Gear Ratio	Typical Current (A)			
	No Load		Full Load	
	12 VDC	24 VDC	12 VDC	24 VDC
5:1	1.2	0.6	3.2	1.6
10:1	1.2	0.6	3.2	1.6
20:1	1.2	0.6	3.2	1.6
30:1	1.2	0.6	3.2	1.6
40:1	1.2	0.6	3.2	1.6



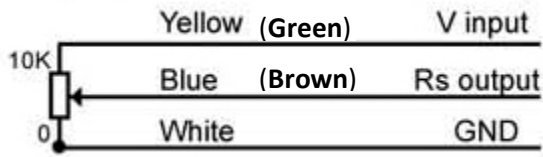
Note: Above graphs and performance data do not apply to the “Q” (quiet) option.

### Electrical



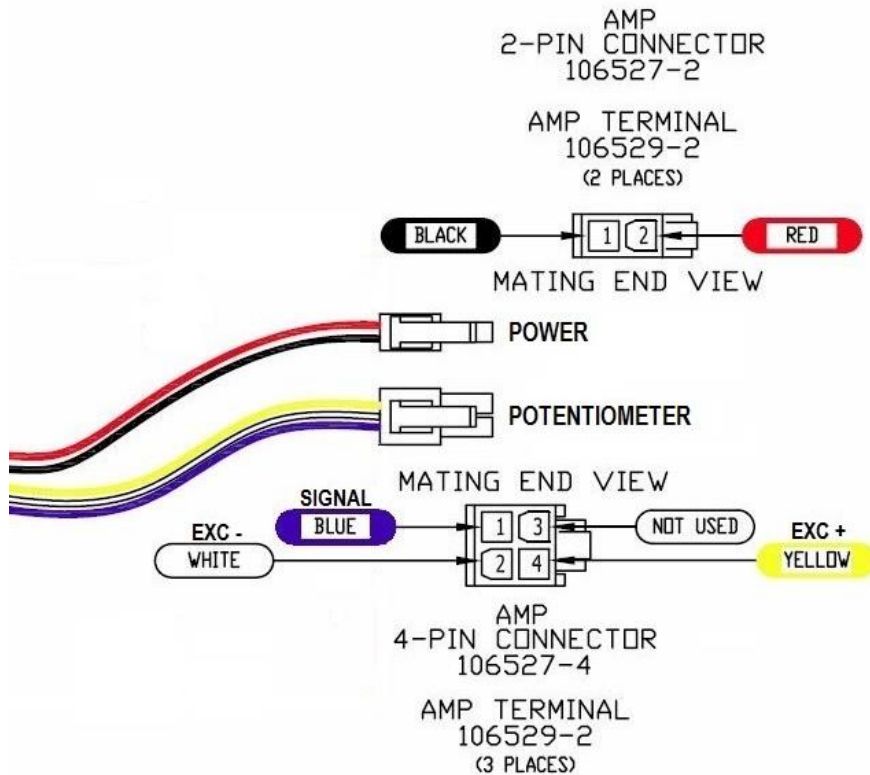
Without Potentiometer  
 Red + // Black - : Extend  
 Red - // Black + : Retract

With Potentiometer  
 Red + // Black - : Retract  
 Red - // Black + : Extend



Value of POT	
Stroke (in / mm)	Resistance
1.97 / 50	0.3 – 9.3K
3.94 / 100	0.3 – 9.7K
5.91 / 150	0.3 – 8.6K
7.87 / 200	0.3 – 9.6K
9.84 / 250	0.3 – 9.3K
11.81 / 300	0.3 – 9.3K
Tolerance: +/- 0.3K	
Values in this table are an approximation. Actual values will vary due to actuator configuration and construction.	

### Connector Wiring



**Ordering Key**

LACT □ □ - □ V - □ □

**Standard Stroke (nominal)**

- 2 : 2" [ 50mm]
- 4 : 4" [100mm]
- 6 : 6" [150mm]
- 8 : 8" [200mm]
- 10 : 10" [250mm]
- 12 : 12" [300mm]

Additional stroke lengths available

**Potentiometer**

- P : Potentiometer
- Blank : No Potentiometer

**Input Voltage**

- 12 : 12 VDC
- 24 : 24 VDC

**Gear Ratio**

- 05 : 5:1 – Not available with “Q” option
  - 10 : 10:1 – Not available with “Q” option
  - 20 : 20:1 – Standard Gear Ratio
  - 30 : 30:1
  - 40 : 40:1 – Not available with “Q” option
- Not all gear ratios stocked

**Options**

- M = Metal pinion gear
- Q = Quiet gear set (plastic)

**Terms of Use**

The user is responsible for determining the suitability of Concentric International products for specific applications. Due to continuous development in order to improve its products, Concentric International products are subject to change without prior notice. Concentric International reserves the right to discontinue the sale of any products at any time.