

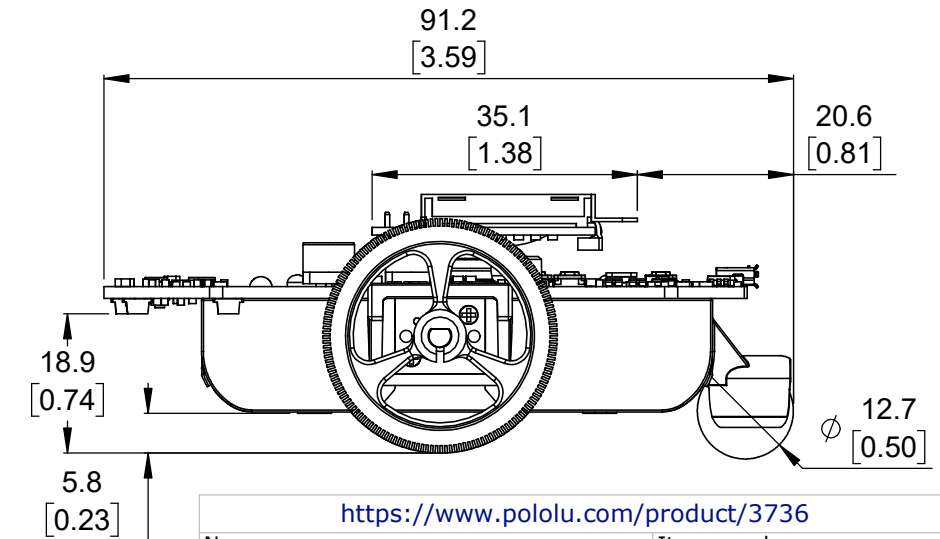
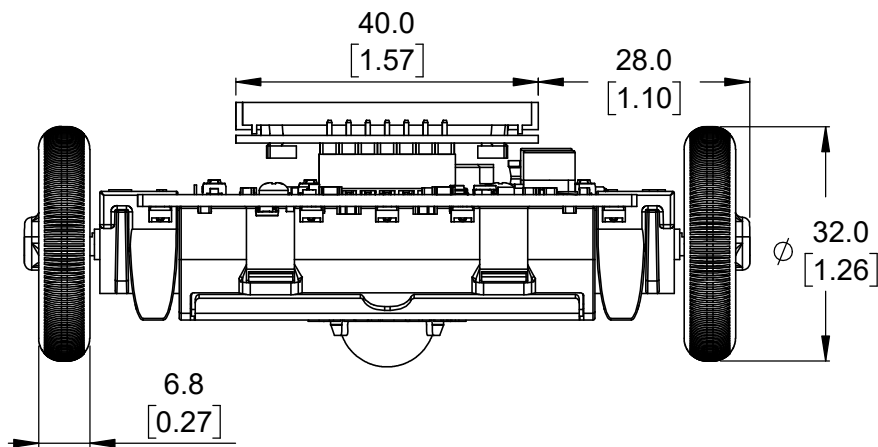
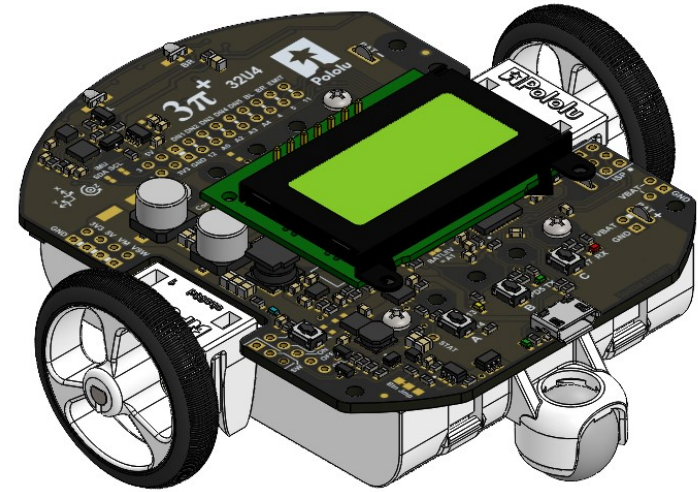
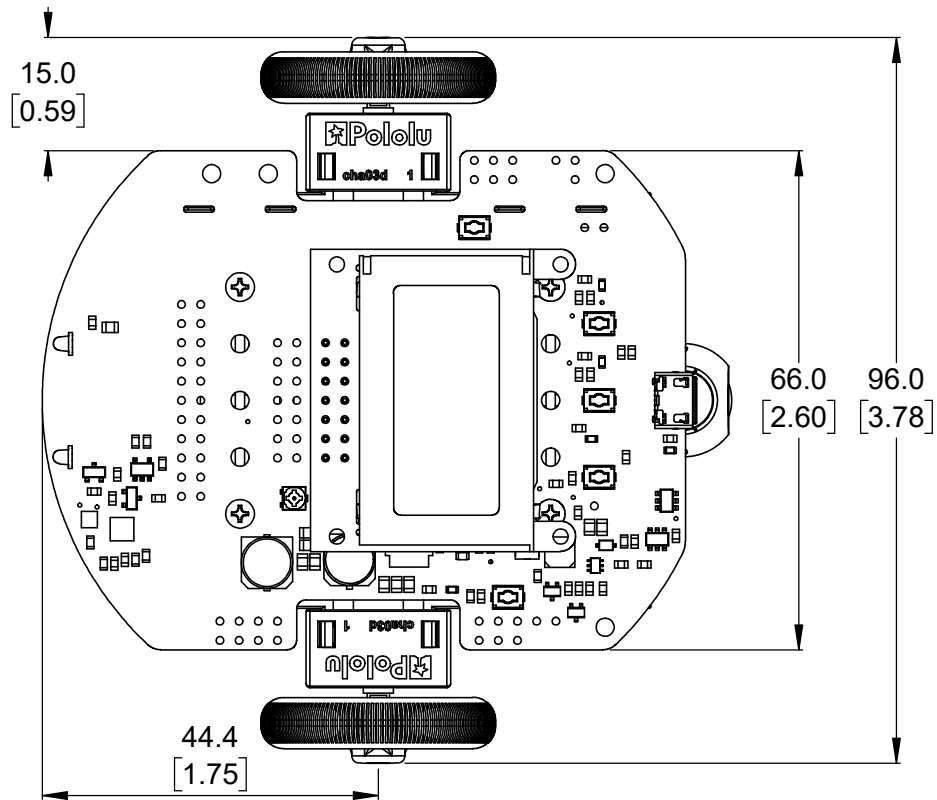
1. To get the specified scale, select 100% in print settings.

Scale 1:1

<https://www.pololu.com/product/3736>

Name: 3pi+ 32U4 Robot assembled with bumper skirt		Item number: 3736-3741
Drawing date: 6 January 2021	Dev code: —	
Units: mm [in]	Material: mixed	

Pololu
Robotics & Electronics
© 2021 Pololu Corporation



1. To get the specified scale, select 100% in print settings.

Scale 1:1

<https://www.pololu.com/product/3736>

Name: 3pi+ 32U4 Robot assembled with motor clips		Item number: 3736-3741
Drawing date: 6 January 2021	Dev code: —	
Units: mm [in]	Material: mixed	

