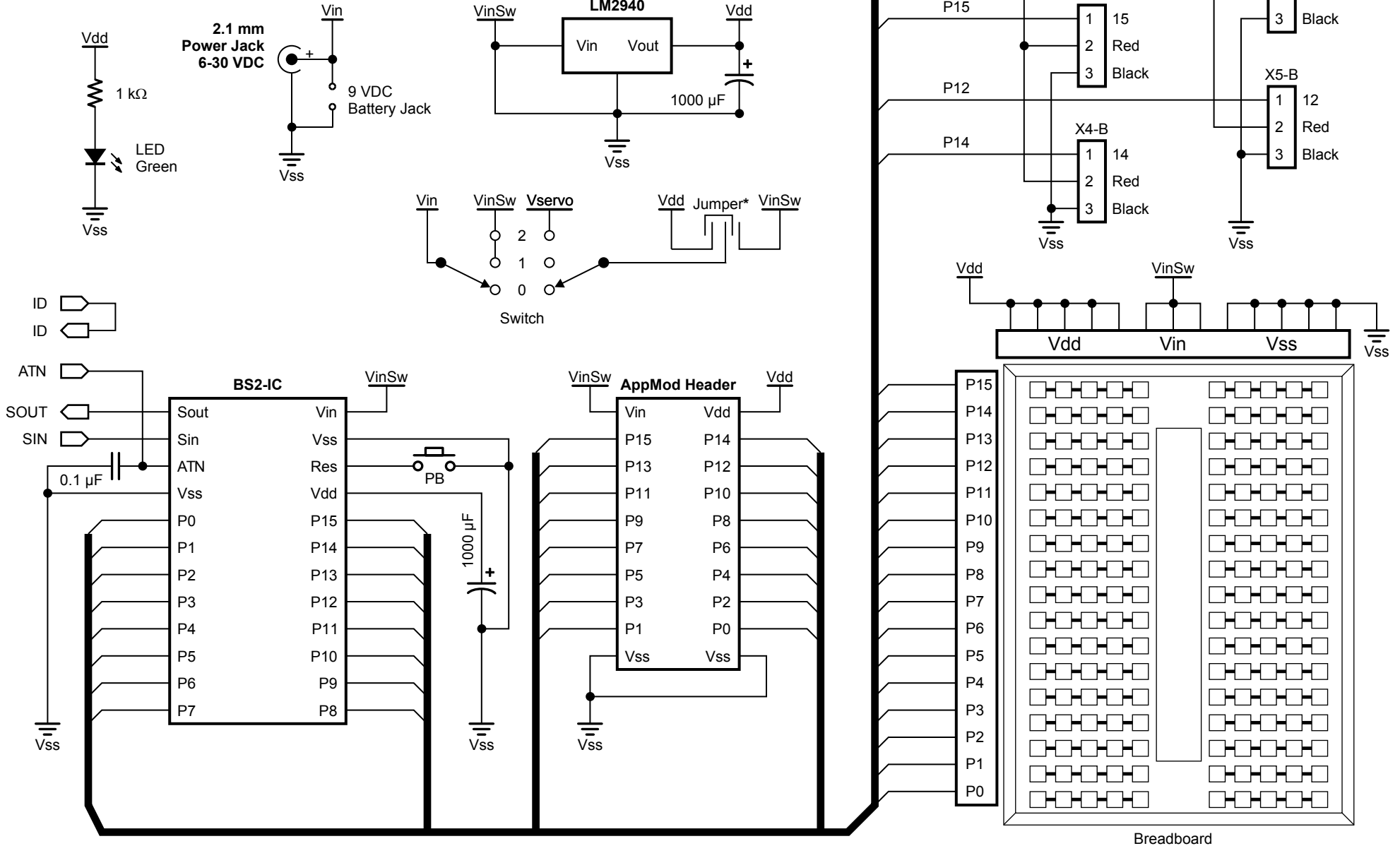


Circuitry Powered by External Source



* When using servos do not exceed 6 VDC on Vin.
If Vin is greater than 6 VDC set jumper to Vdd.

Circuitry powered by USB

