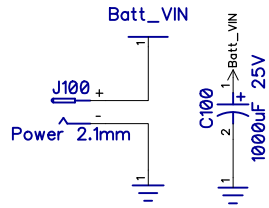


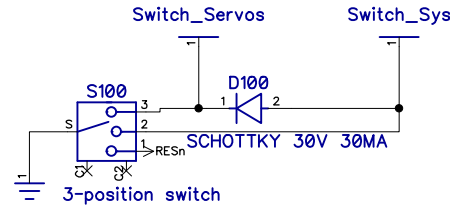
System Power

DC Barrel Jack

DO NOT EXCEED Servo voltage rating or 9V supply voltage, whichever is lower

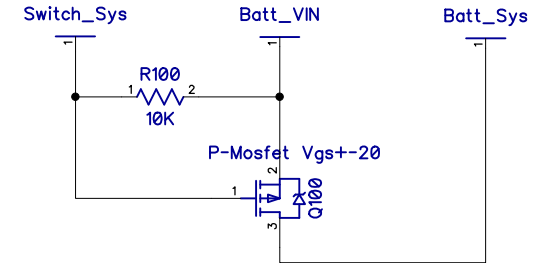


Power Switch

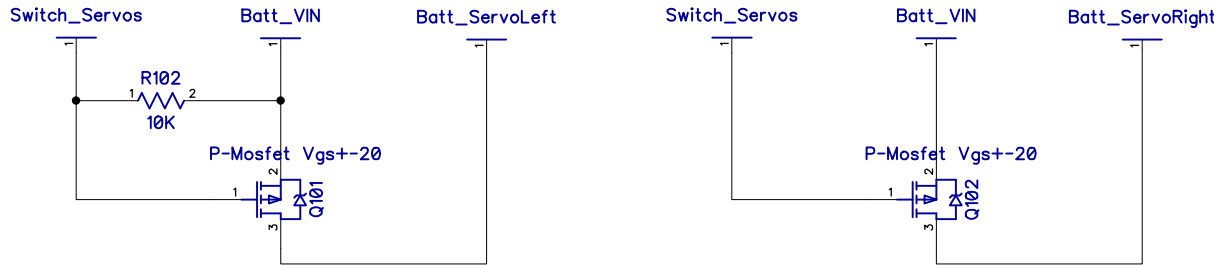


Position 1 is "OFF". This holds FLiP reset to GND, to disable FLiP whilst switch is OFF (FLiP might be USB powered!)
NOTE! WiFi will still be powered by FLiP USB (if connected), allowing firmware updates

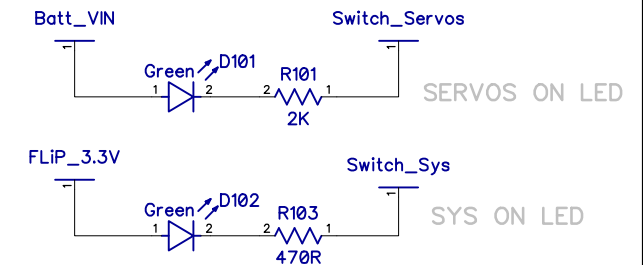
Mosfet controlled power on/off



Mosfet controlled servo power on/off



Power status LEDs



Parallax Inc.
599 Menlo Drive
Rocklin, CA 95765

(916) 624-8333
<http://www.parallax.com/>

SumoBot FLiP WX

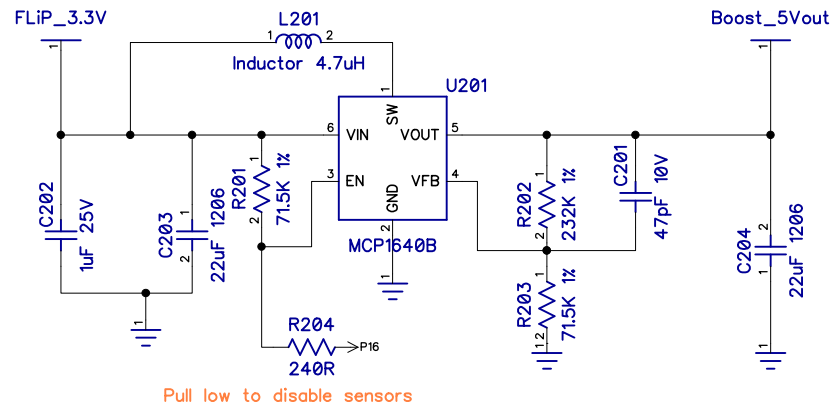
Copyright 2020 Parallax Incorporated. All Rights Reserved.
This is Open Source Hardware. This work is licensed under a Creative Commons Attribution-ShareAlike 4.0 International License. The full text of the license is available from: <http://creativecommons.org/licenses/by-sa/4.0>

Part Number: 32132
Revision: A

Last Update: 04 Apr 2020 (MM)

5V Regulator

5V 300mA Boost Regulator



Pull low to disable sensors

Parallax Inc.
599 Menlo Drive
Rocklin, CA 95765

(916) 624-8333
<http://www.parallax.com/>

SumoBot FLiP WX

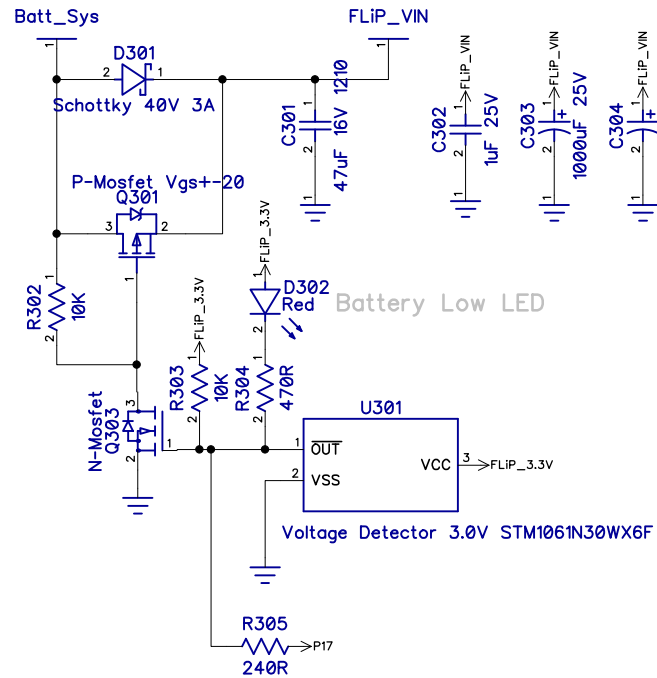
Copyright 2020 Parallax Incorporated. All Rights Reserved.
This is Open Source Hardware. This work is licensed under a Creative Commons Attribution-ShareAlike 4.0 International License. The full text of the license is available from: <http://creativecommons.org/licenses/by-sa/4.0>

Part Number: 32132
Revision: A

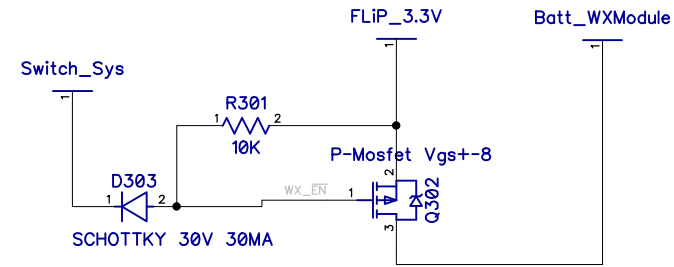
Last Update: 04 Apr 2020 (MM)

Supporting Power Circuits

Low Battery Management



WX WiFi Power Management



Parallax Inc.
599 Menlo Drive
Rocklin, CA 95765

(916) 624-8333
<http://www.parallax.com/>

SumoBot FLiP WX

Copyright 2020 Parallax Incorporated. All Rights Reserved.
This is Open Source Hardware. This work is licensed under a Creative Commons Attribution-ShareAlike 4.0 International License. The full text of the license is available from: <http://creativecommons.org/licenses/by-sa/4.0>

Part Number: 32132
Revision: A

Last Update: 04 Apr 2020 (MM)

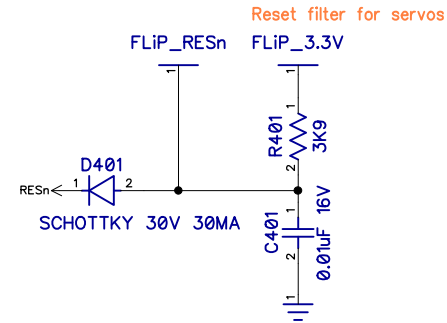
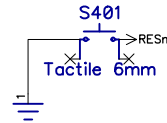
FLiP Socket and Circuits

FLiP Socket

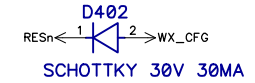


Absolute MAX FLiP VIN is 10V
Header spacing MUST be 600mills (15.24mm)

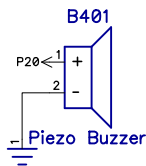
Reset Switch and interfacing



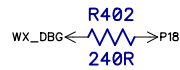
Allow 4-press AP function



Buzzer



WX Debug output



WX_DBG is DIO8/DTR when XBEE module installed

Parallax Inc.
599 Menlo Drive
Rocklin, CA 95765

(916) 624-8333
<http://www.parallax.com/>

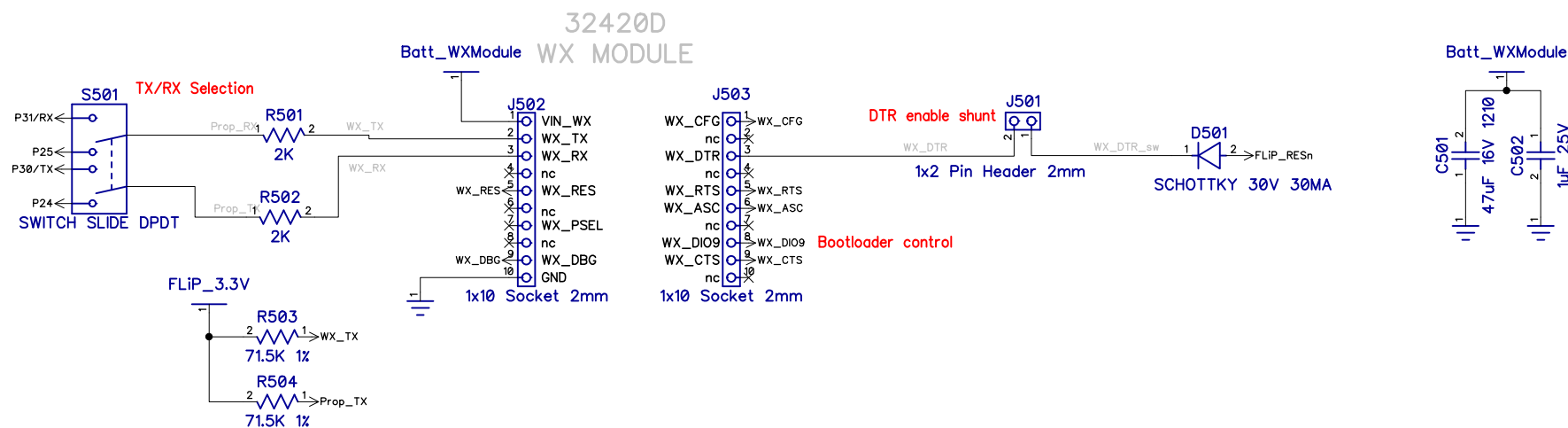
SumoBot FLiP WX

Copyright 2020 Parallax Incorporated. All Rights Reserved.
This is Open Source Hardware. This work is licensed under a Creative Commons Attribution-ShareAlike 4.0 International License. The full text of the license is available from: <http://creativecommons.org/licenses/by-sa/4.0>

Part Number: 32132
Revision: A

Last Update: 04 Apr 2020 (MM)

Parallax WiFi Module (also compatible with XBee)



DTR header allows couple things....

Before battle, user could remove the header to ensure no odd resets of the bot if wifi drops during battle

User could remove the shunt and place a jumper wire from CTS to RESn (if they prefer that channel for resets)

Also a handy breakout for RESn

Parallax Inc.
599 Menlo Drive
Rocklin, CA 95765

(916) 624-8333
<http://www.parallax.com/>

SumoBot FLiP WX

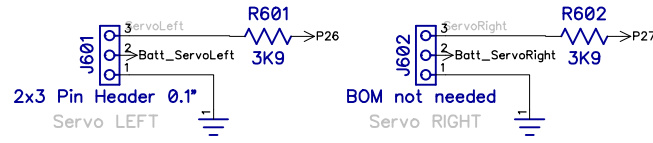
Copyright 2020 Parallax Incorporated. All Rights Reserved.
This is Open Source Hardware. This work is licensed under a Creative Commons Attribution-ShareAlike 4.0 International License. The full text of the license is available from: <http://creativecommons.org/licenses/by-sa/4.0>

Part Number: 32132
Revision: A

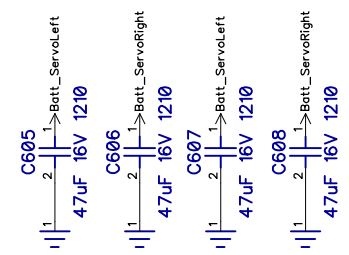
Last Update: 04 Apr 2020 (MM)

Servo and accessory headers

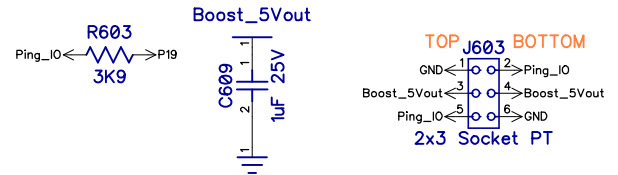
FLiP controlled IO headers at BattV, for SERVOS



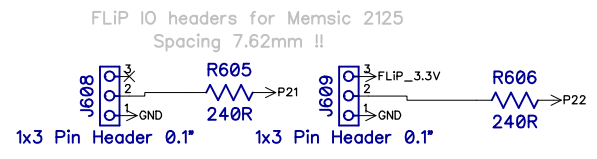
SERVO header bulk capacitance



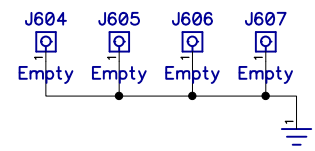
PING header



Memsic 2125 header (Unpopulated)



Mounting holes - GND



Parallax Inc.
599 Menlo Drive
Rocklin, CA 95765

(916) 624-8333
<http://www.parallax.com/>

SumoBot FLiP WX

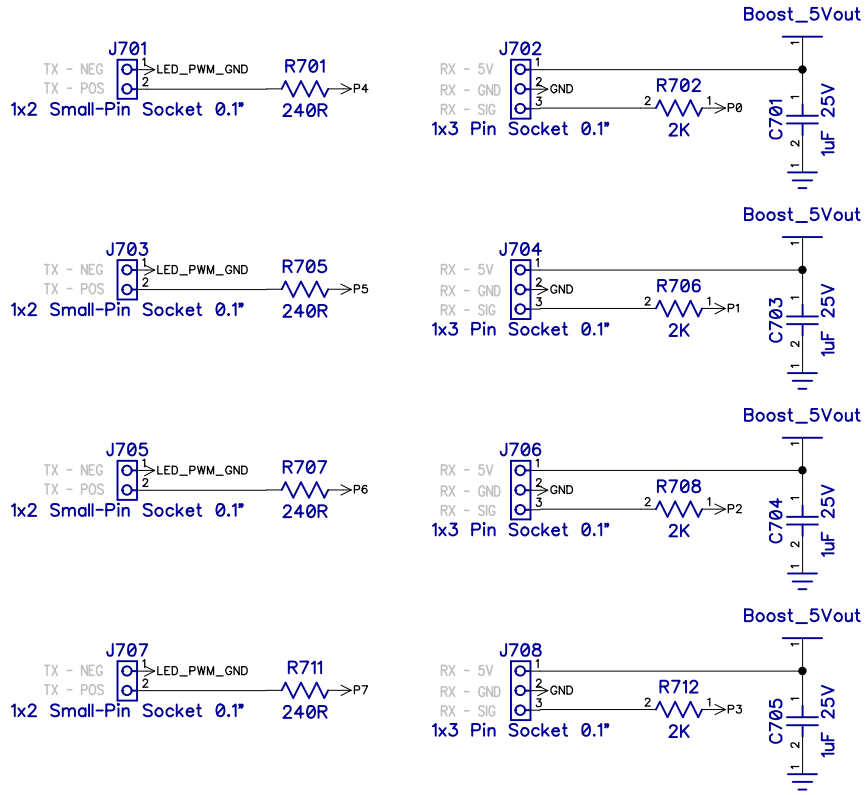
Copyright 2020 Parallax Incorporated. All Rights Reserved.
This is Open Source Hardware. This work is licensed under a Creative Commons Attribution-ShareAlike 4.0 International License. The full text of the license is available from: <http://creativecommons.org/licenses/by-sa/4.0>

Part Number: 32132
Revision: A

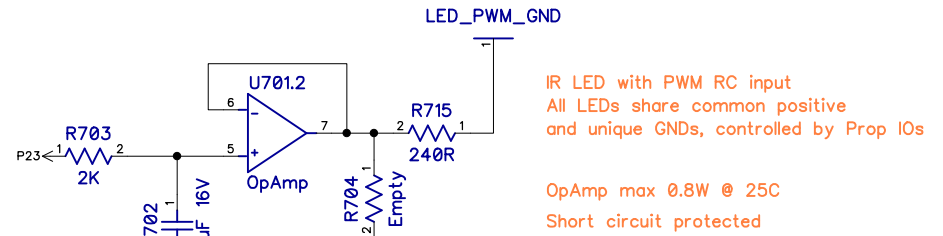
Last Update: 04 Apr 2020 (MM)

IR Headers and Status LEDs

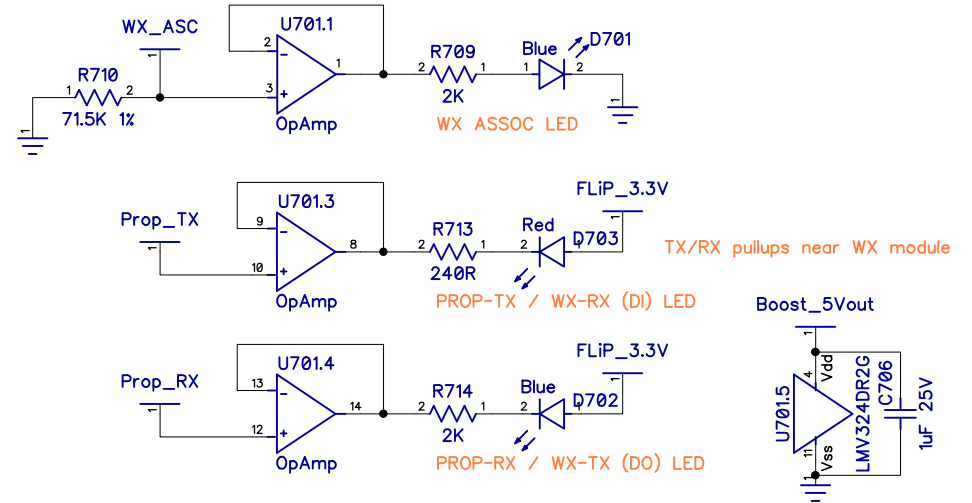
IR TX/RX Headers



IR LED PWM Driver



Status LEDs (use spare buffered drivers)



Parallax Inc.
599 Menlo Drive
Rocklin, CA 95765

(916) 624-8333
<http://www.parallax.com/>

SumoBot FLiP WX

Copyright 2020 Parallax Incorporated. All Rights Reserved.
This is Open Source Hardware. This work is licensed under a Creative Commons Attribution-ShareAlike 4.0 International License. The full text of the license is available from: <http://creativecommons.org/licenses/by-sa/4.0>

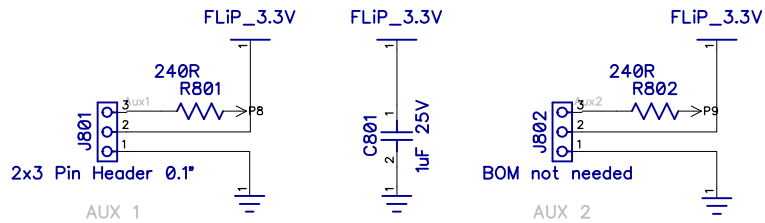
Part Number: 32132
Revision: A

Last Update: 04 Apr 2020 (MM)

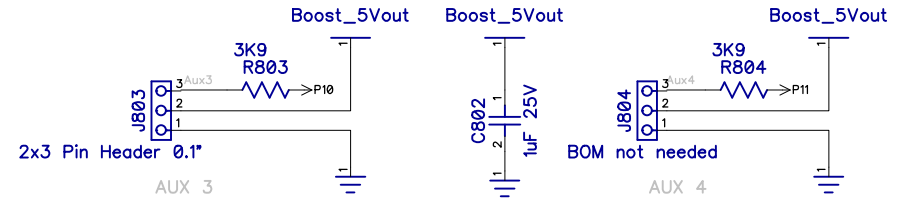
AUX and QTI Headers

AUX Headers

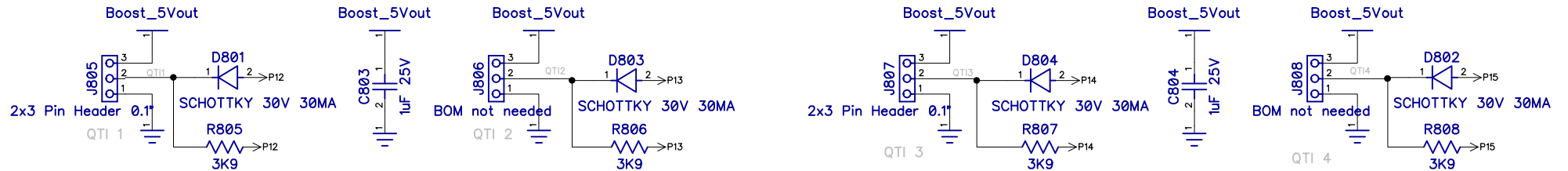
FLiP controlled IO headers at 3.3V



FLiP controlled IO headers at 5V



QTI Headers



Parallax Inc.
599 Menlo Drive
Rocklin, CA 95765

(916) 624-8333
<http://www.parallax.com/>

SumoBot FLiP WX

Copyright 2020 Parallax Incorporated. All Rights Reserved.
This is Open Source Hardware. This work is licensed under a Creative Commons Attribution-ShareAlike 4.0 International License. The full text of the license is available from: <http://creativecommons.org/licenses/by-sa/4.0>

Part Number: 32132

Revision: A

Last Update: 04 Apr 2020 (MM)