

**Digital Pins**  
digitalRead  
digitalWrite  
pinMode

**Analog Pins**  
analogRead  
analogReference  
analogReadRes

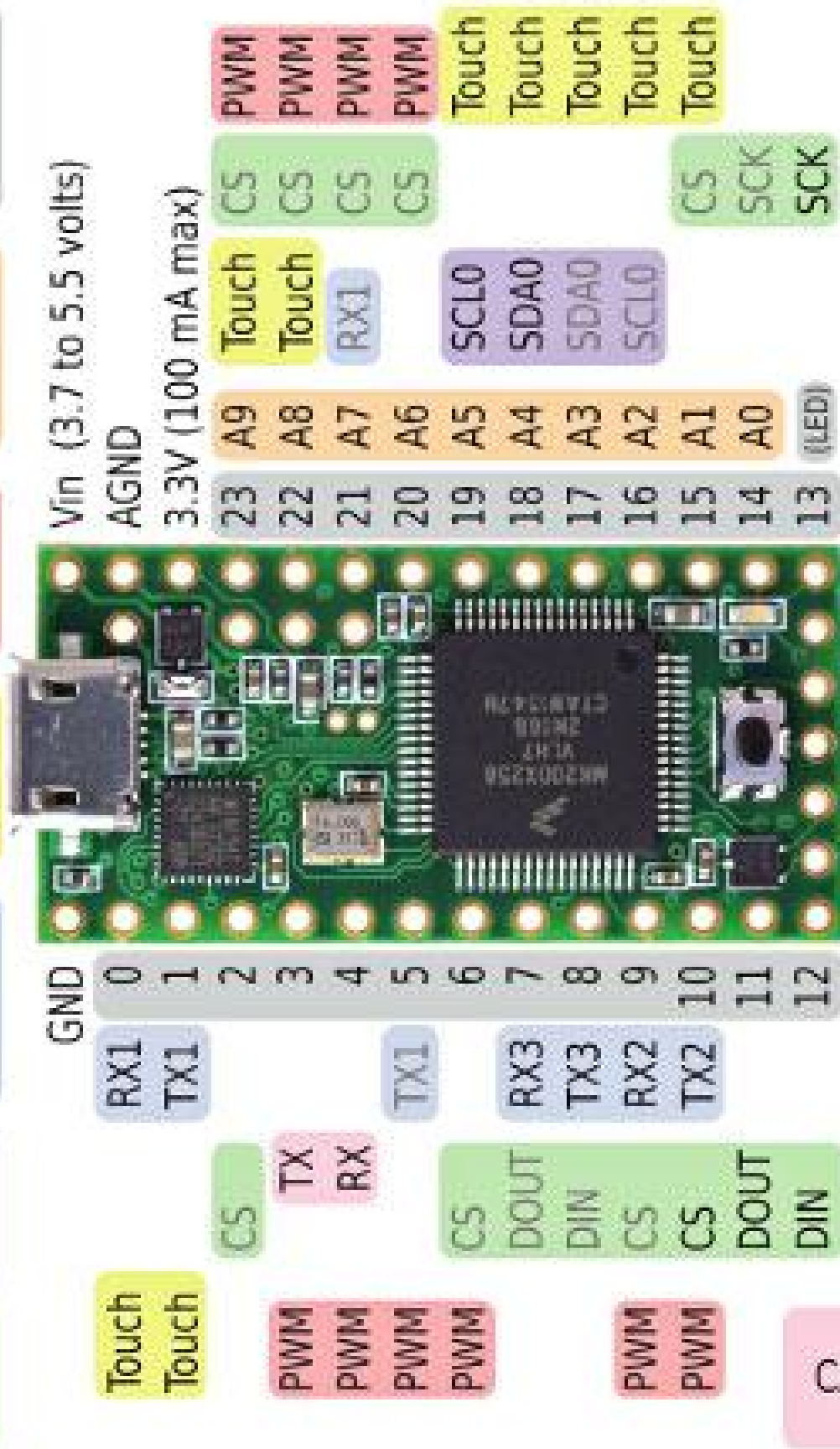
**PWM Pins**  
analogWrite  
analogWriteRes

**Touch Sense Pins**  
touchRead

**Serial Ports**  
Serial1  
Serial2  
Serial3

**I<sup>2</sup>C Port**  
Wire Library

**SPI Port**  
SPI Library



A14/DAC  
Program  
GND  
3.3V  
VBat

All digital pins have  
Interrupt capability

**CAN Bus**