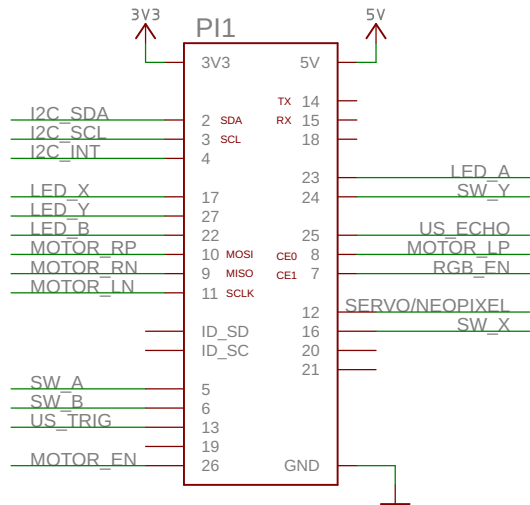
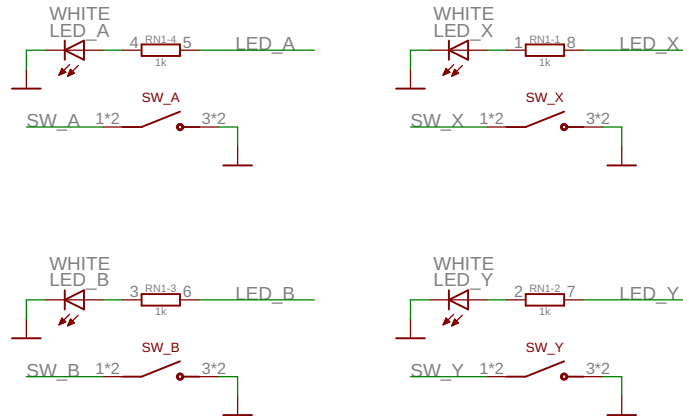


Trilobot (Full Kit: PIM597, Base Kit: PIM598)

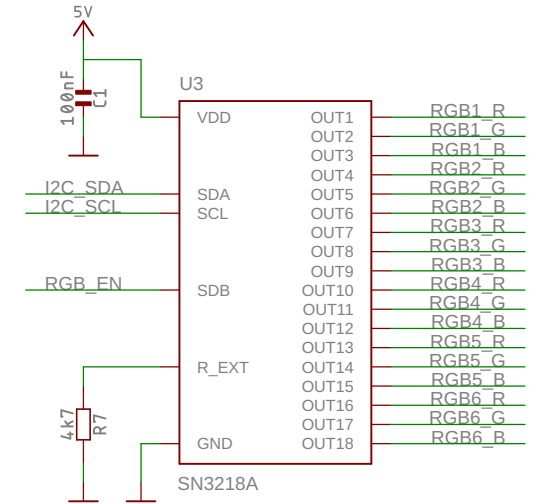
Pi GPIO connector



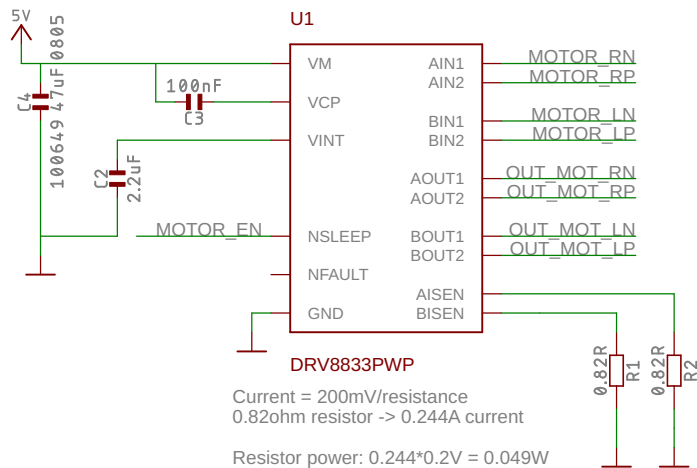
Switches and their indicator LEDs



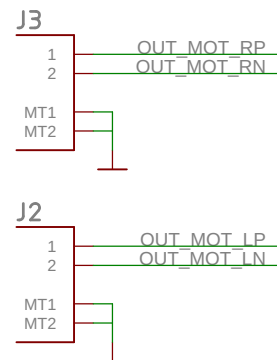
LED driver for RGB underlighting



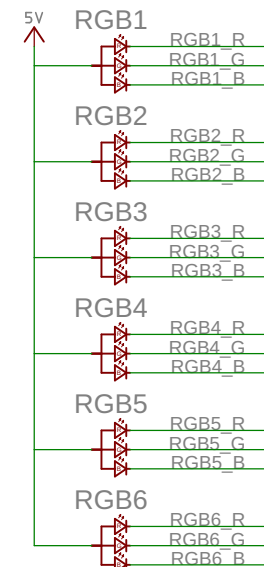
Dual motor driver



Motor connectors

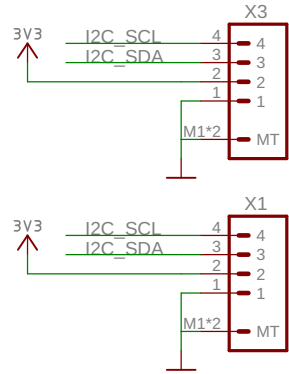


RGB LED underlighting

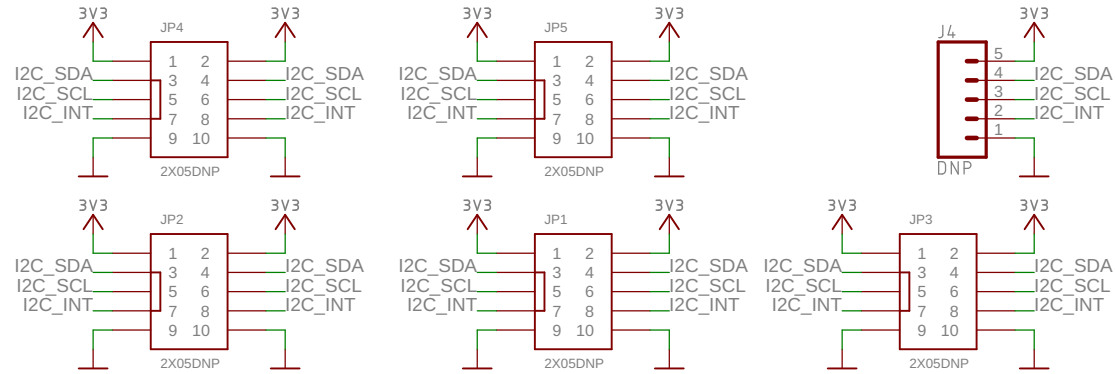


Trilobot (Full Kit: PIM597, Base Kit: PIM598)

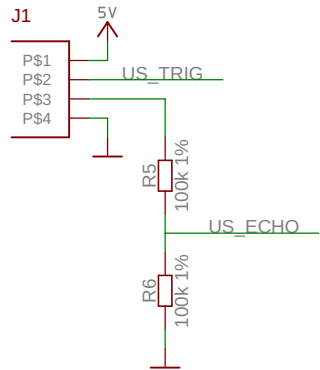
Qwiic connectors



Breakout Garden empty headers



Ultrasonic rangefinder connector



Servo / Neopixel output

