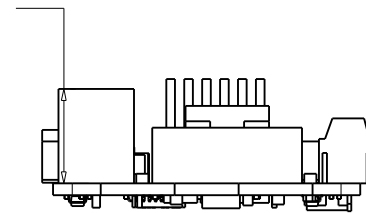
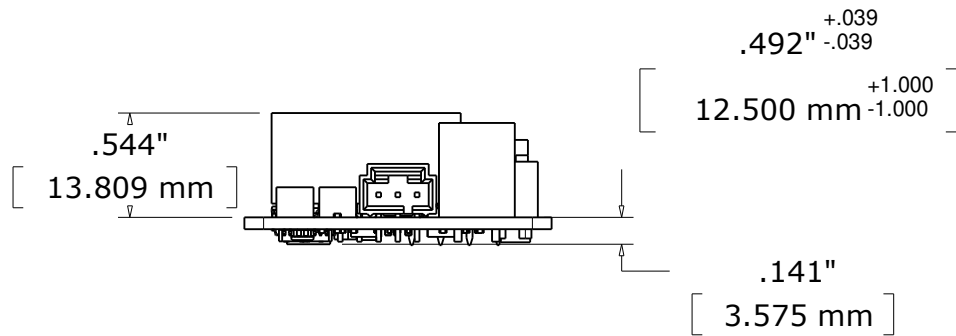
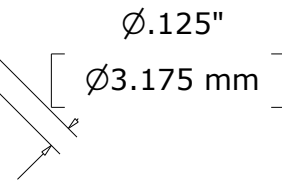
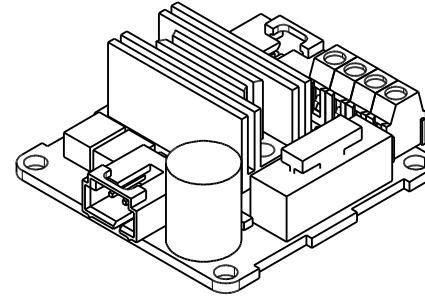
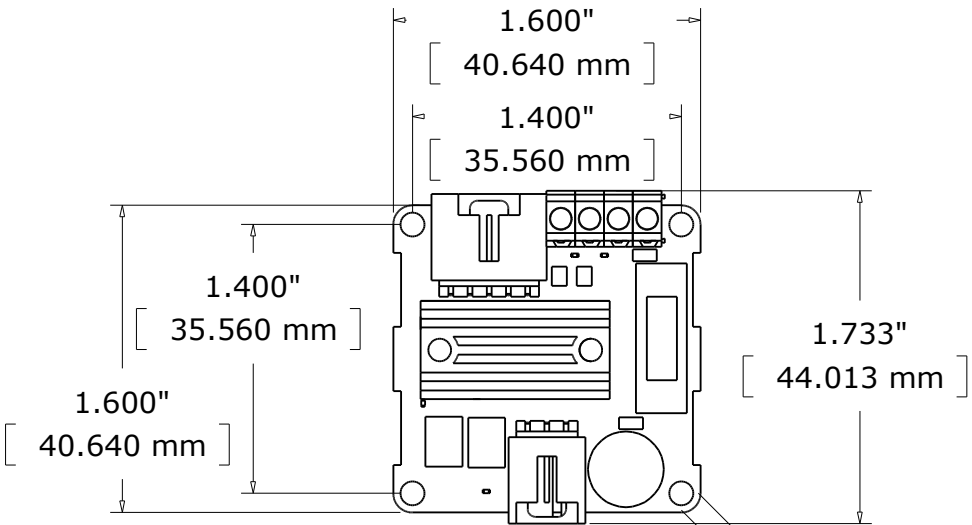


# DCC1002\_0 Mechanical Drawing



# DCC1002\_0 Enclosure Mechanical Drawing

