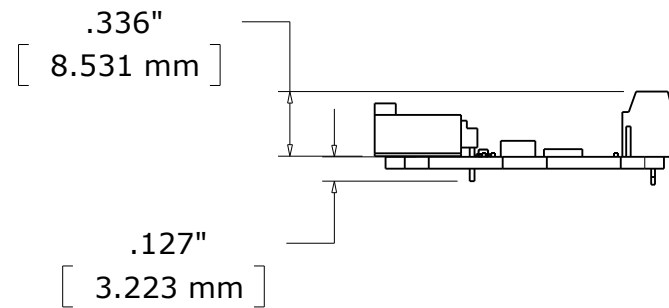
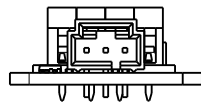
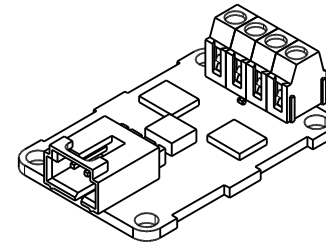
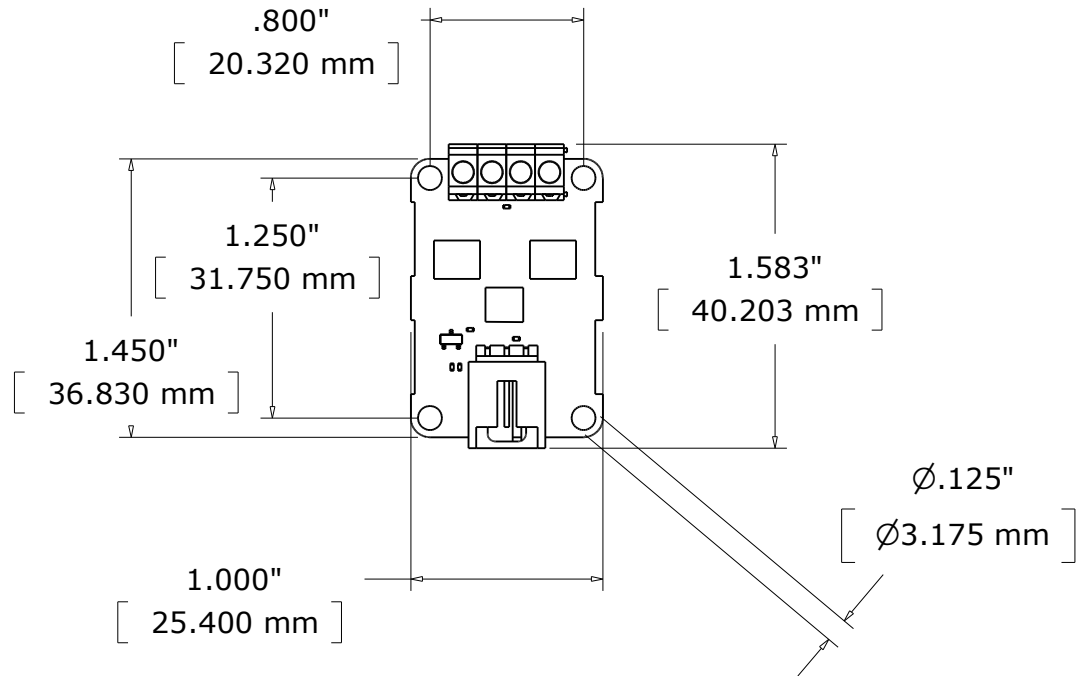


# REL2103\_0 Mechanical Drawing



# REL2103\_0 Enclosure Mechanical Drawing

