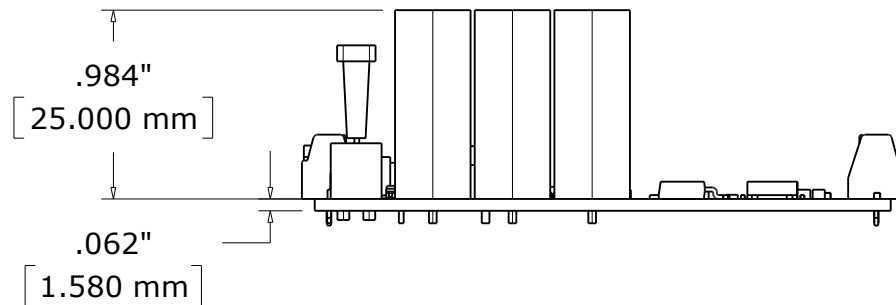
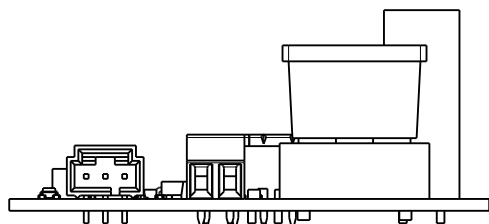
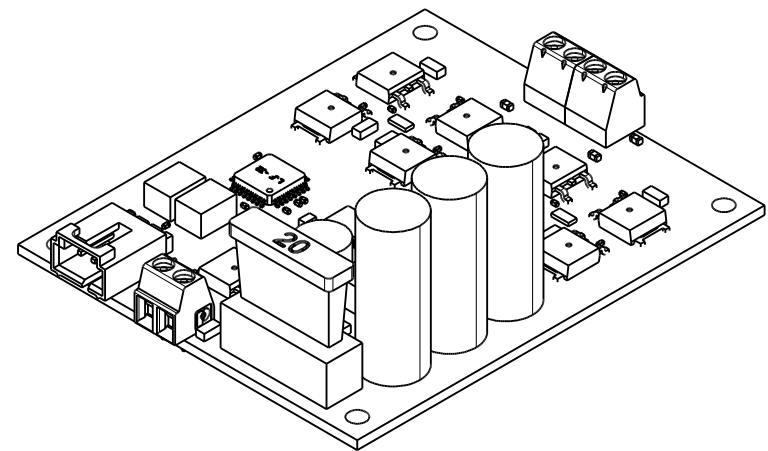
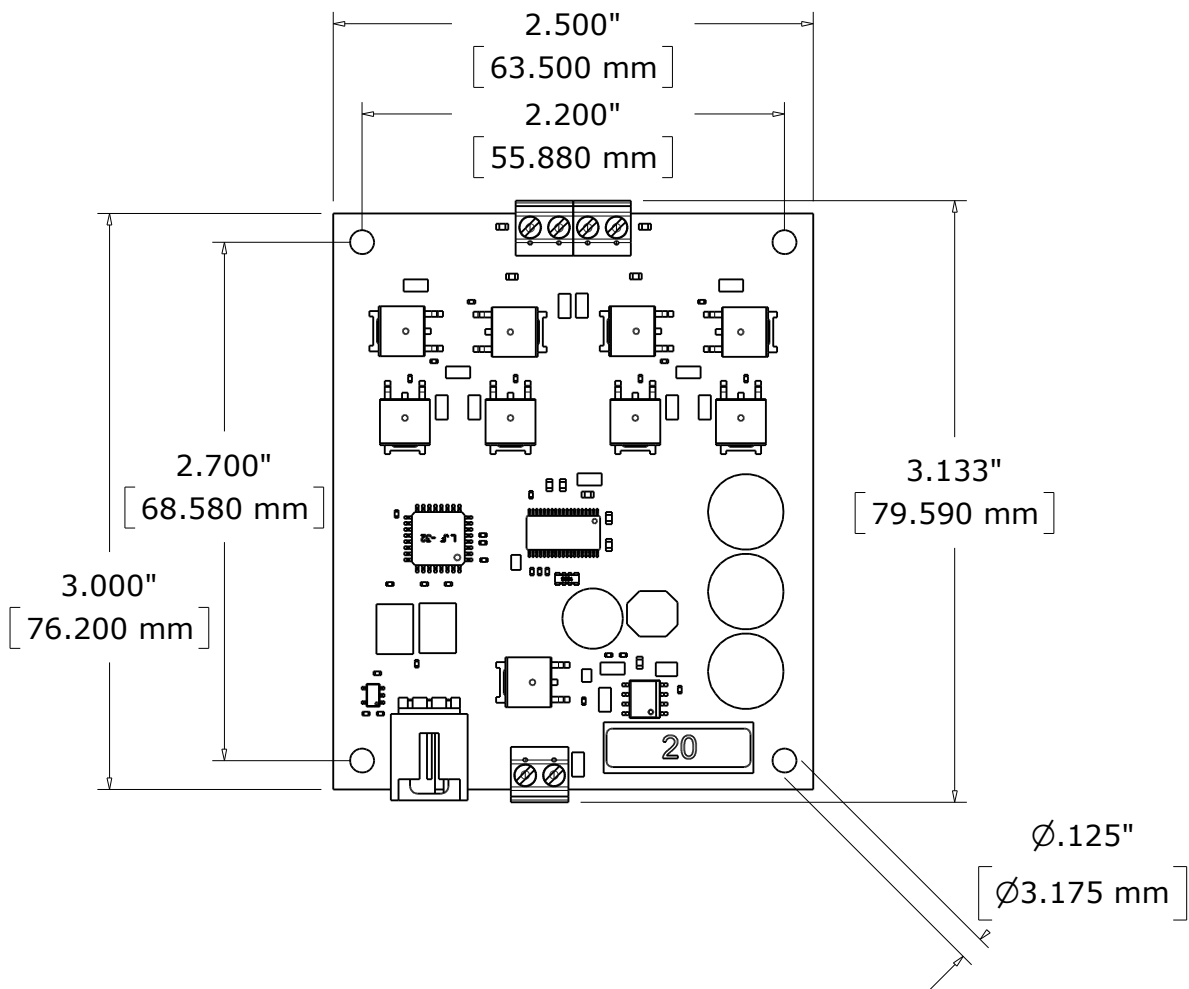


# STC1000\_0 Mechanical Drawing



# STC1000\_0 Enclosure Mechanical Drawing

