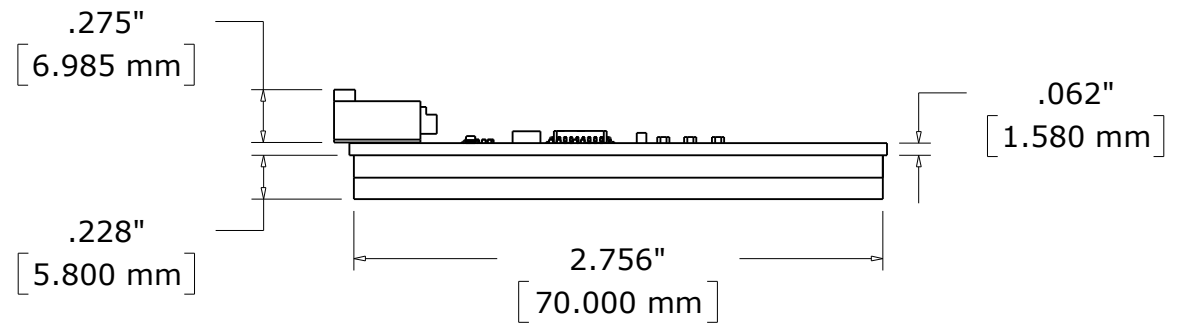
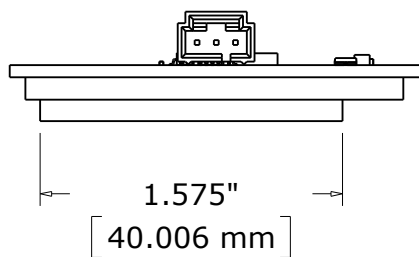
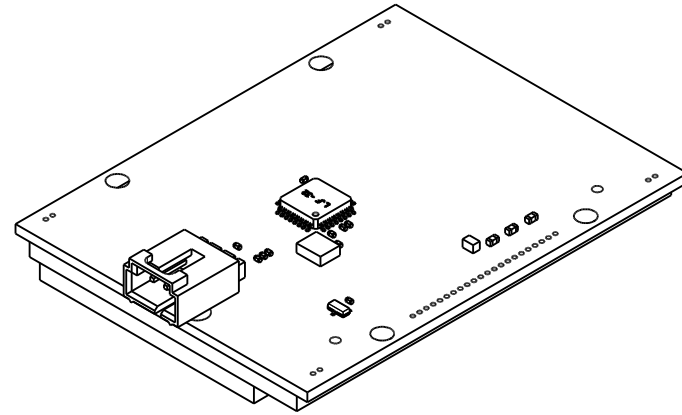
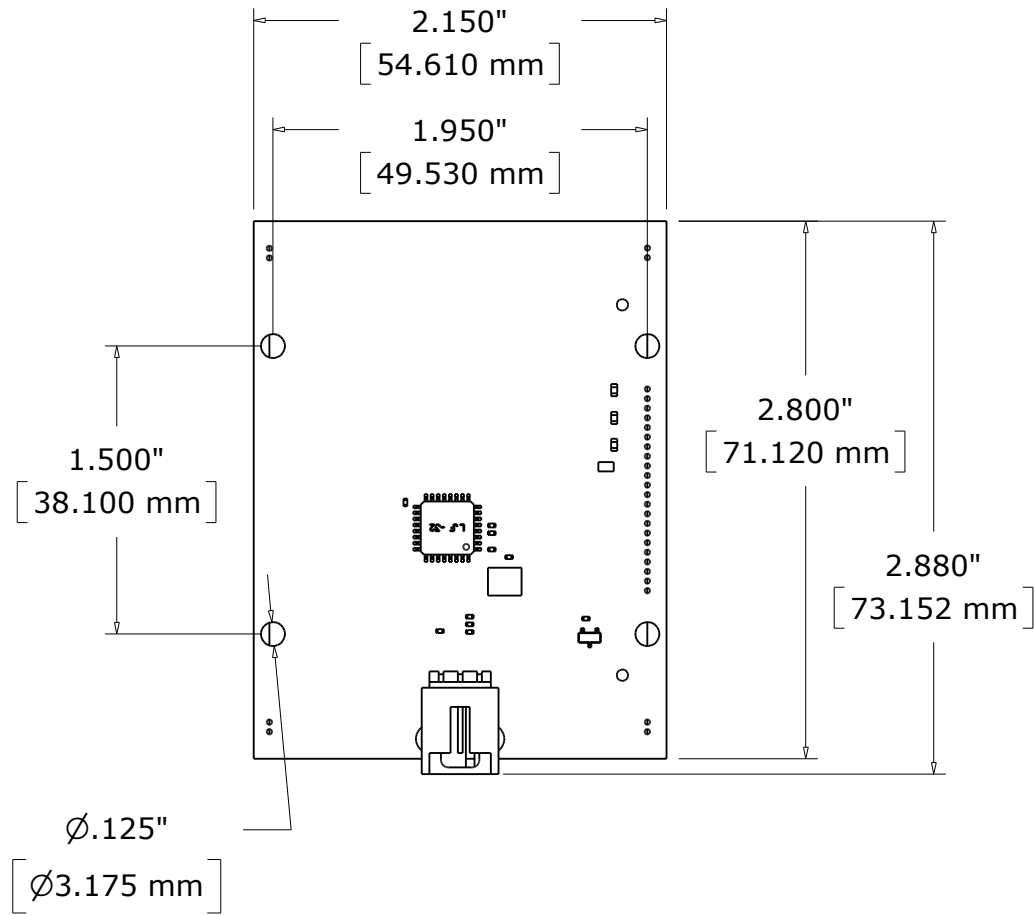


# LCD1100\_0 Mechanical Drawing



# LCD1100\_0 Enclosure Mechanical Drawing

