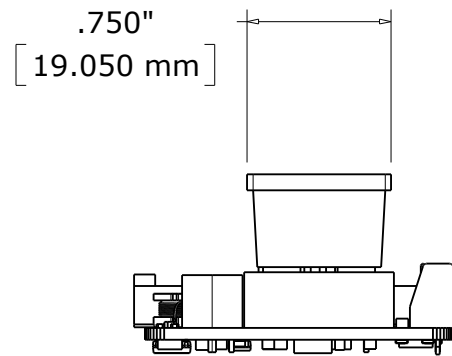
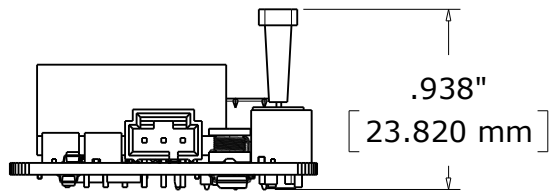
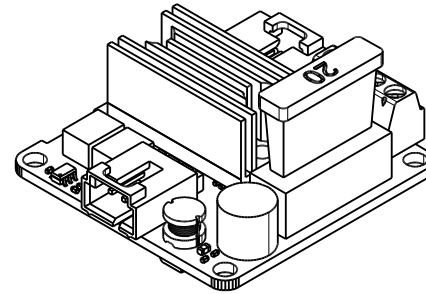
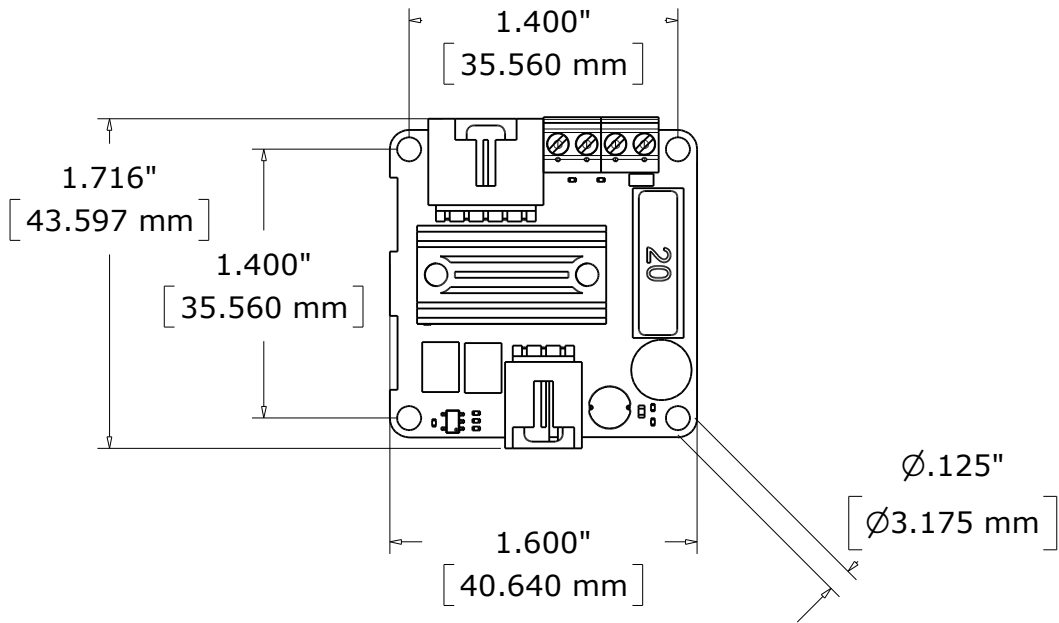


DCC1001_0 Mechanical Drawing



DCC1001_0 Enclosure Mechanical Drawing

