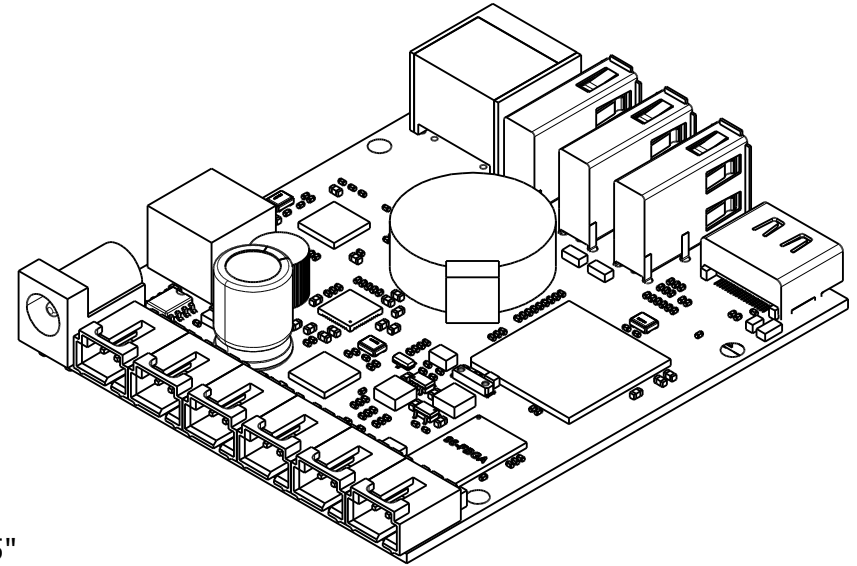
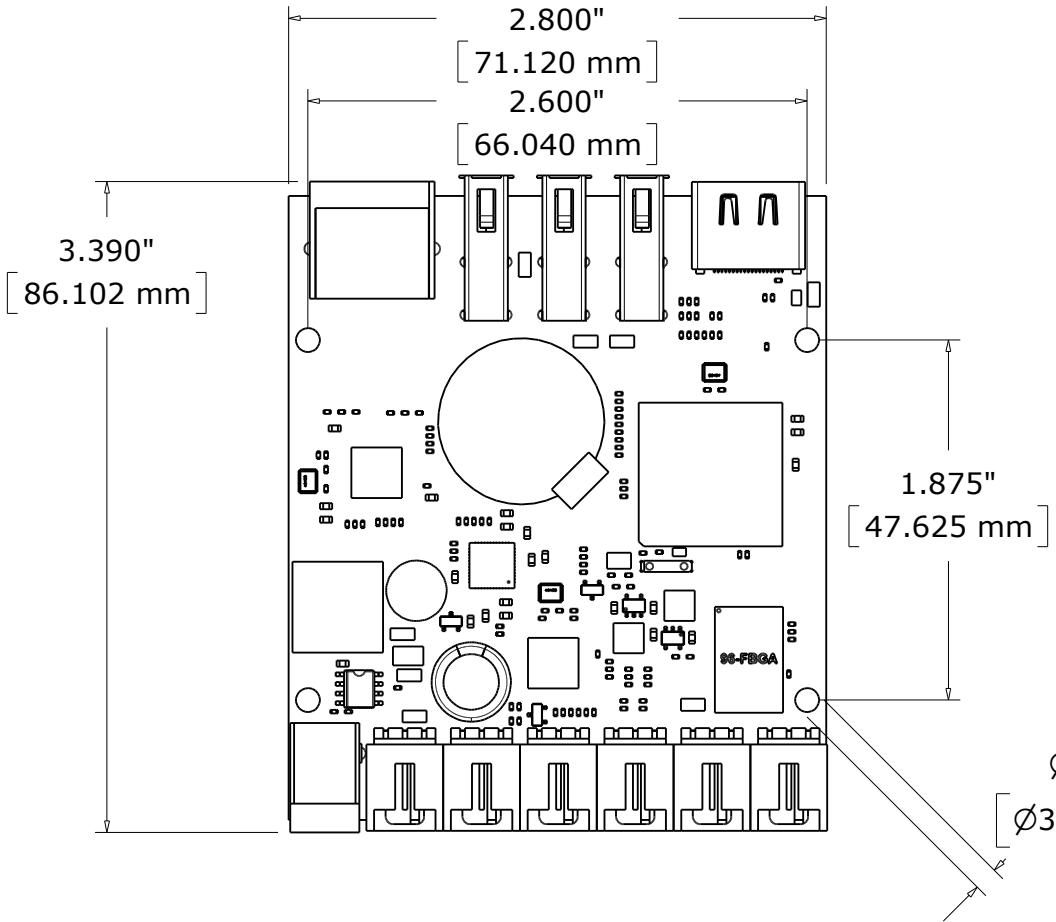
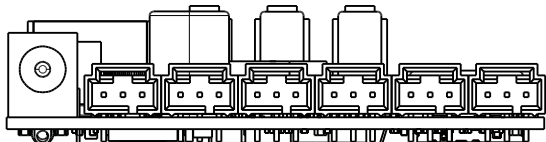


SBC3003_0 Mechanical Drawing

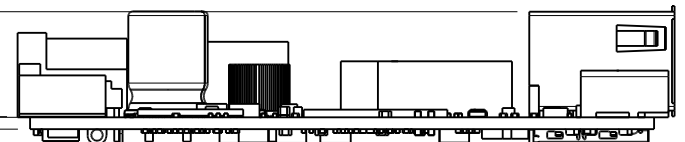


$\varnothing.125"$
[$\varnothing 3.175$ mm]



.548"
[13.907 mm]

.062"
[1.580 mm]



SBC3003_0 Enclosure Mechanical Drawing

