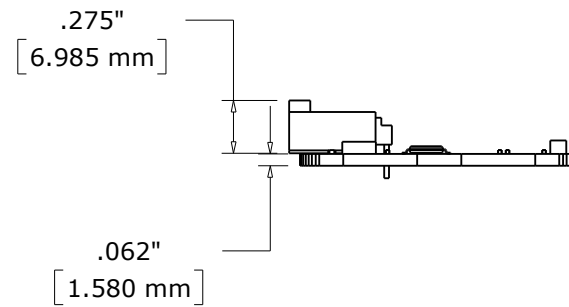
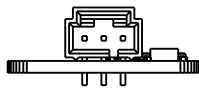
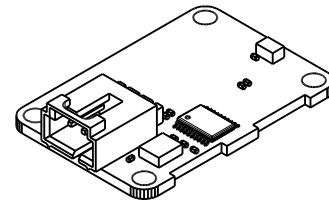
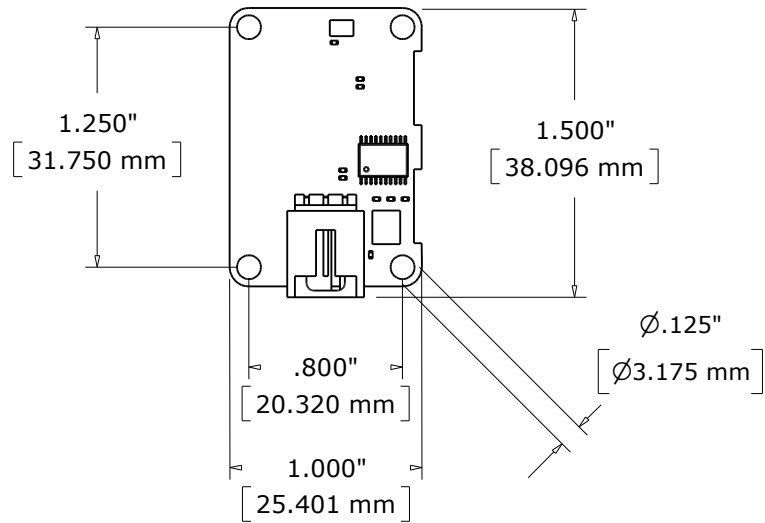


# TMP1000\_0 Mechanical Drawing



# TMP1000\_0 Enclosure Mechanical Drawing

