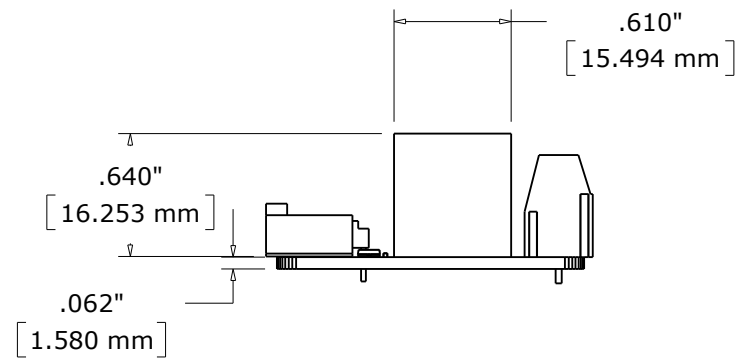
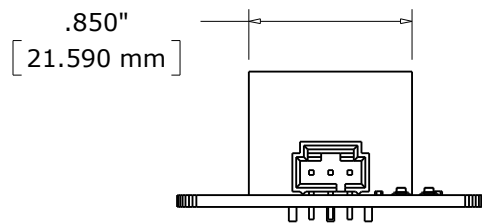
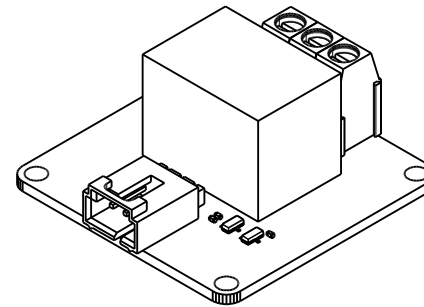
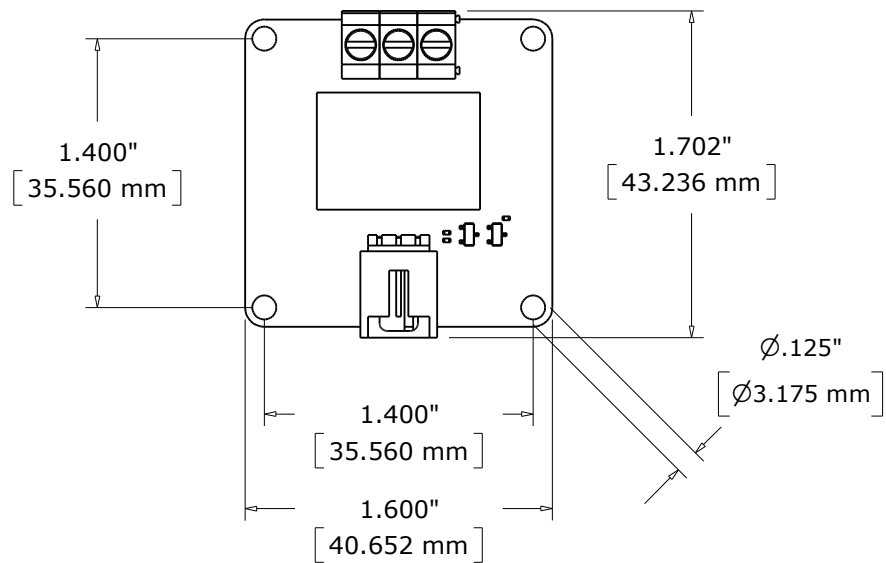


REL2001_0 Mechanical Drawing



REL2001_0 Enclosure Mechanical Drawing

