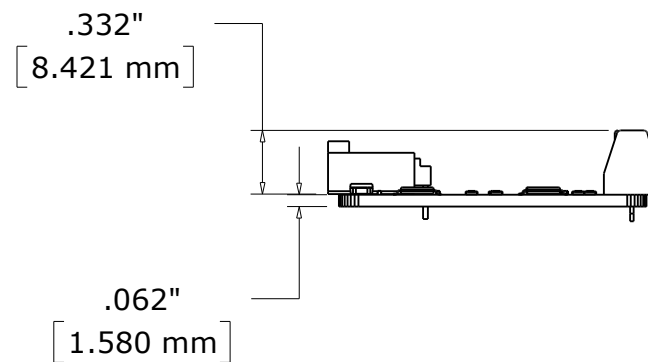
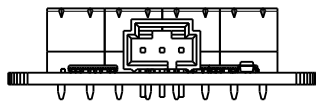
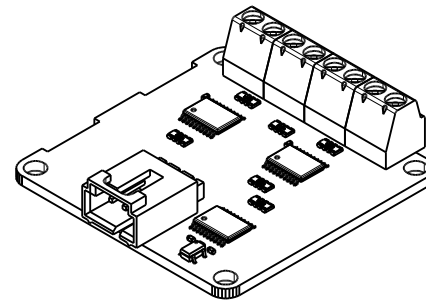
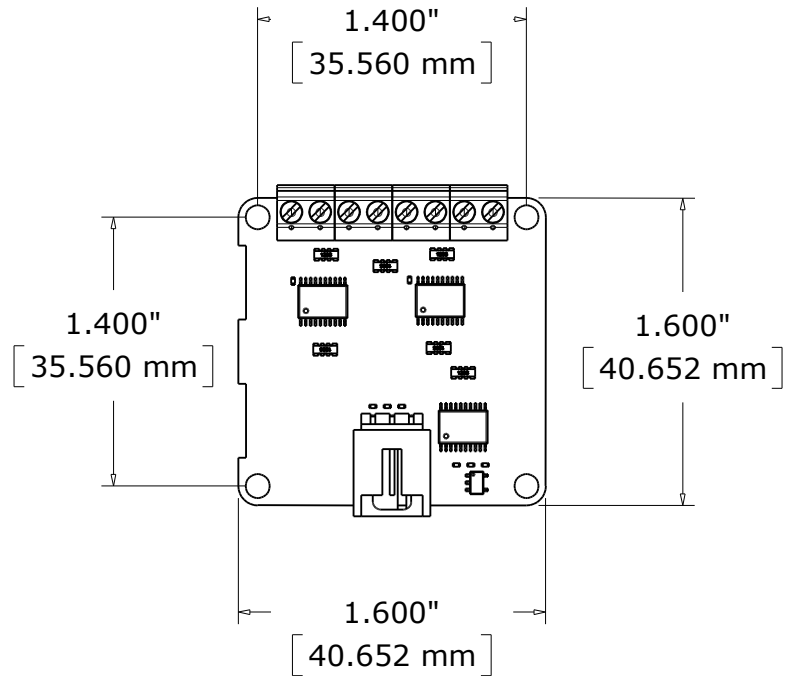


OUT1002_0 Mechanical Drawing



OUT1002_0 Enclosure Mechanical Drawing

