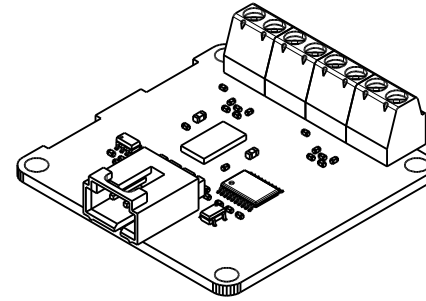
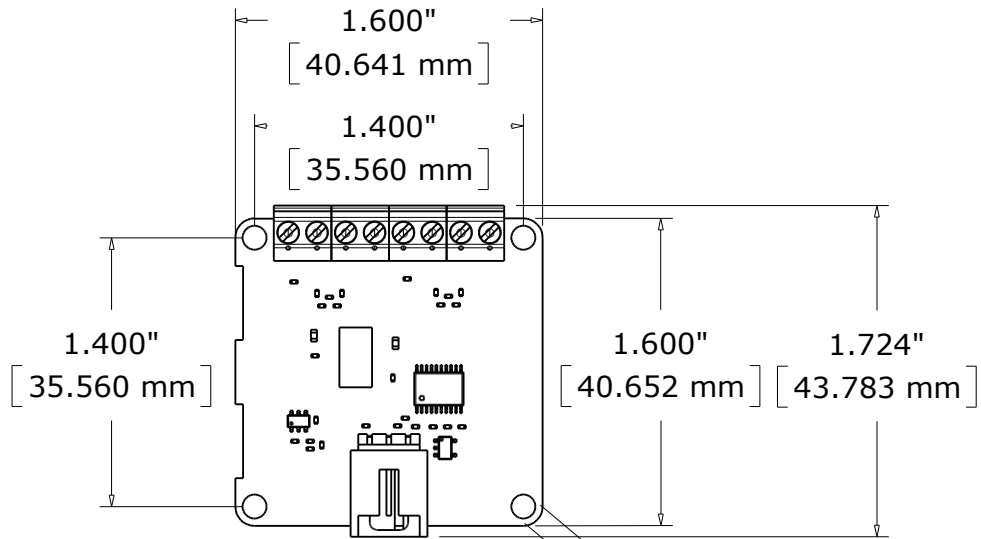
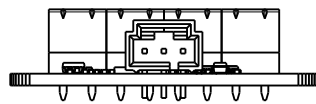


# DAQ1500\_0 Mechanical Drawing

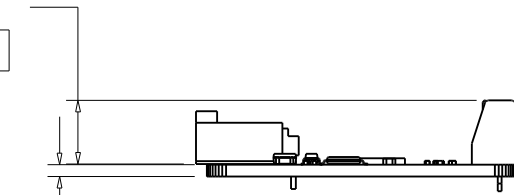


$\varnothing.125"$   
[ $\varnothing 3.175$  mm]



.332"  
[8.421 mm]

.062"  
[1.580 mm]



# DAQ1500\_0 Enclosure Mechanical Drawing

