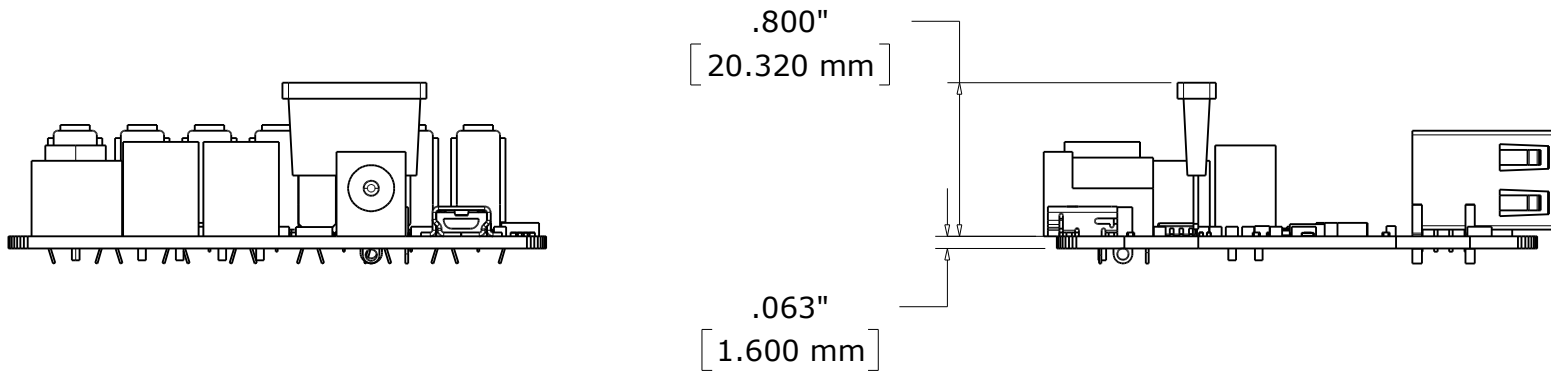
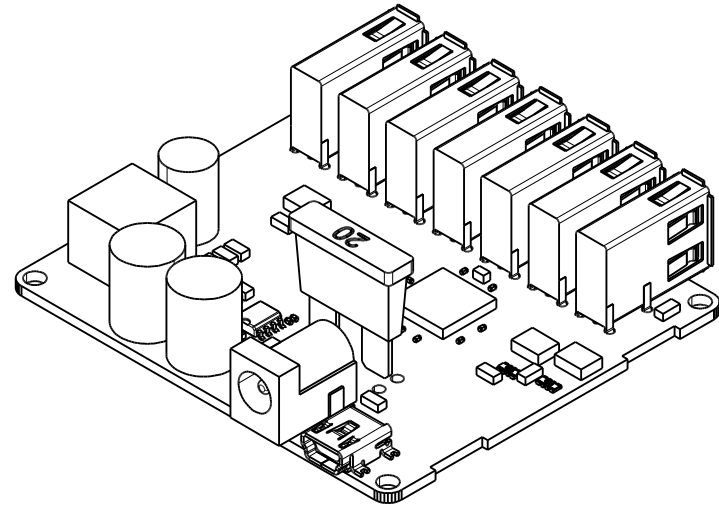
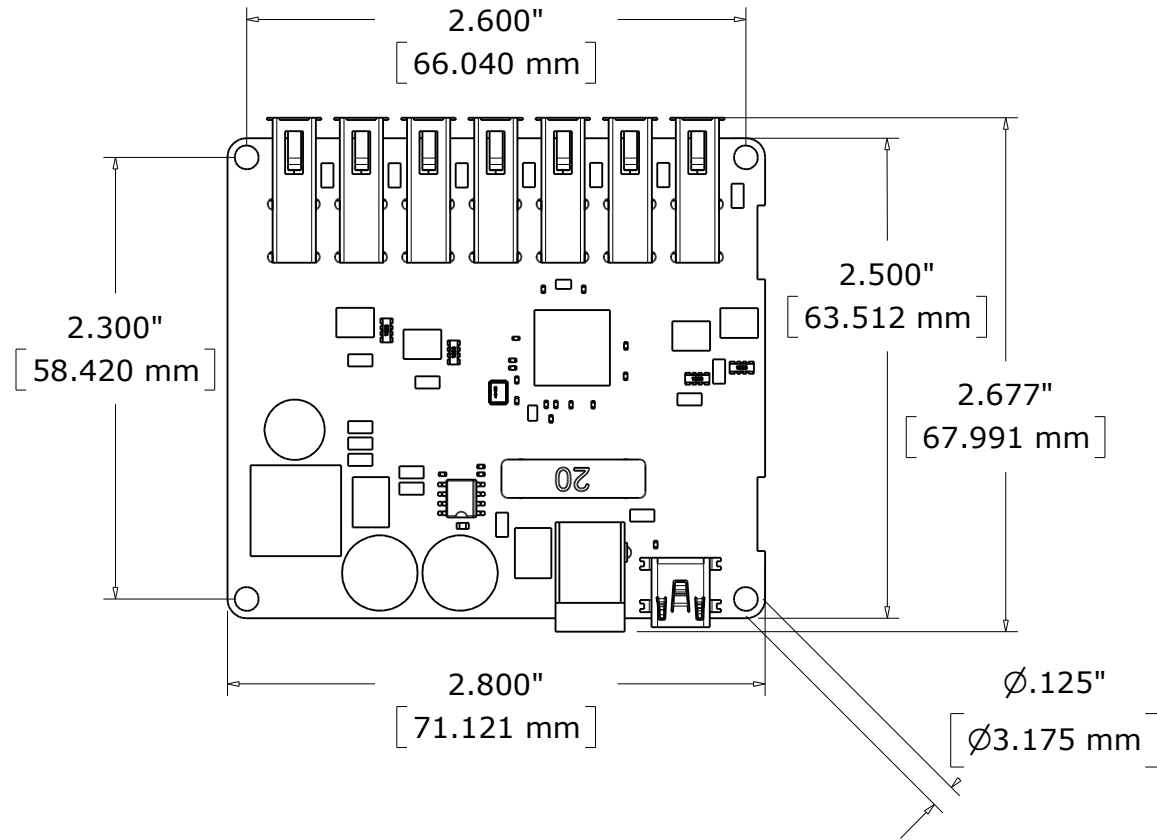


# HUB0003\_0 Mechanical Drawing



# HUB0003\_0 Enclosure Mechanical Drawing

