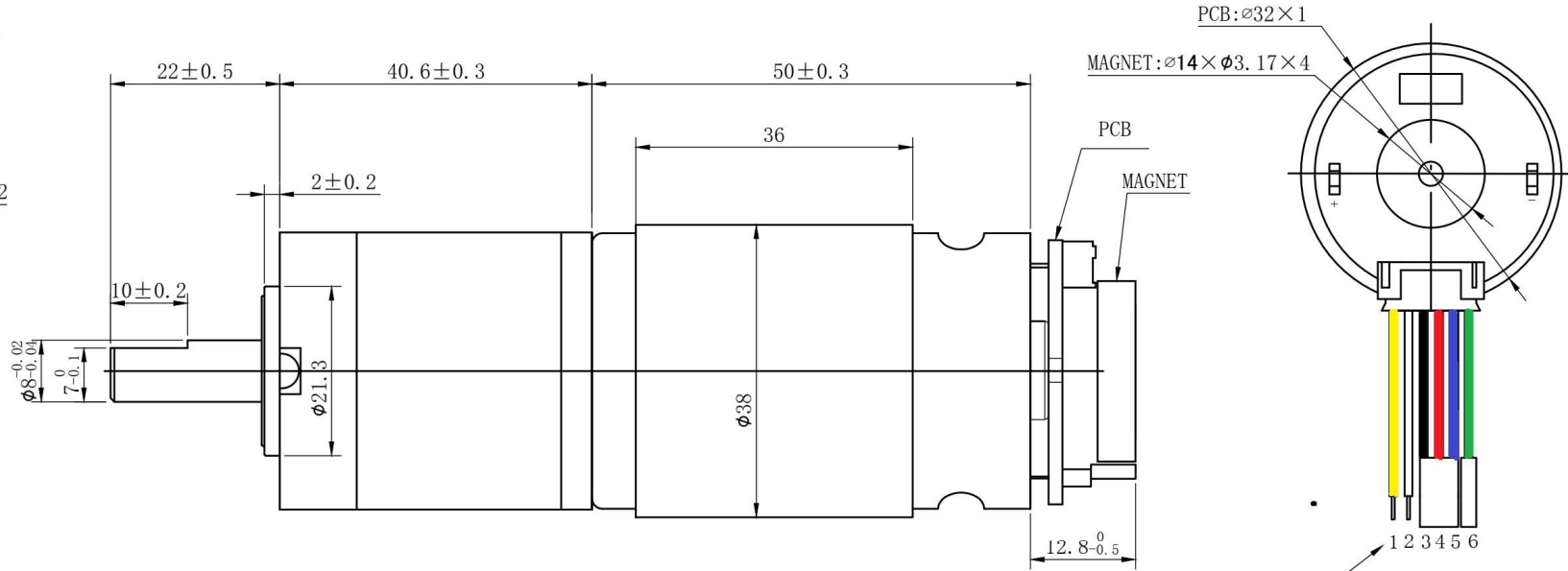
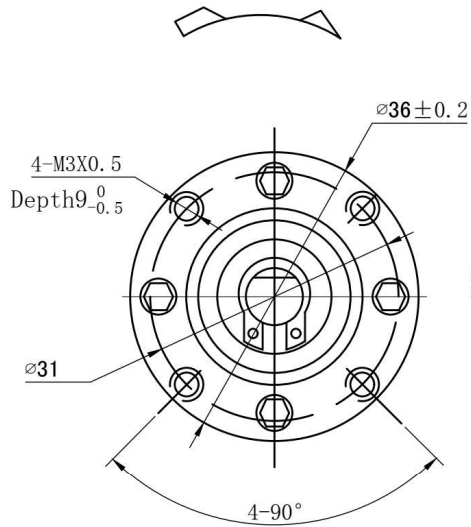


DIRECTION OF ROTATION



SPECIFICATIONS  
For reference only

MODEL	36GP-540-51
VOLTAGE	12V
AT NO LOAD	
SPEED	170rpm±10%
CURRENT	≤0.5A
AT RATED TORQUE	
SPEED	145rpm±10%
CURRENT	≤3A
TORQUE	11.5Kg.cm
AT STALL TORQUE	78kgcm
CURRENT	≤20A
TOTAL GEAR RATIO	1:51
STALL ALLOWED OR NOT	NO

Encoder parameter

1. Voltage: 5V
2. Signals: Square wave AB 90°
3. Temperature: -20°C-80°C
4. Pulse: 12PPR
5. Frequency: 800KHz

Remarks

- Wire length: 300±20mm  
 Motor Wire Gauge: 26#  
 Hall Wire Gauge: 26#  
 Terminal model: PH2.0-6P

Wiring sequence

1. Yellow Motor +
2. White Motor -
3. Black Hall Sensor GND
4. Red Hall Sensor VCC
5. Blue Hall Sensor A Vout
6. Green Hall Sensor B Vout