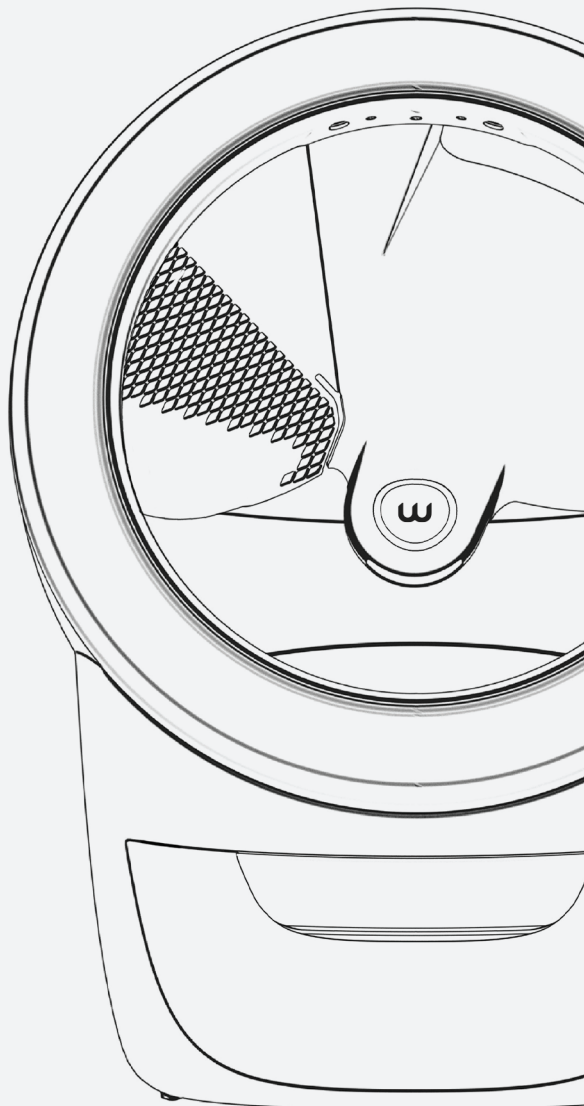


litter·robot® 4

by whisker

Instruction Manual

Whisker.com



Thank you for purchasing a Whisker product!

This manual will help you get the most out of your Litter-Robot. We will guide you through the setup process, as well as provide you with useful tips and advice for acclimating your cat to their new automatic, self-cleaning litter box.

Whisker exists to make life for pets and pet parents endlessly better. As the leading innovators in pet tech and refined pet accessories, we work tirelessly to solve problems and deliver smarter insights for pet parents while enriching the lives of pets.

Enjoy your Litter-Robot, and enjoy a better life with your pet!



Jacob
President & CEO



Brad
Founder & Chief Inventor



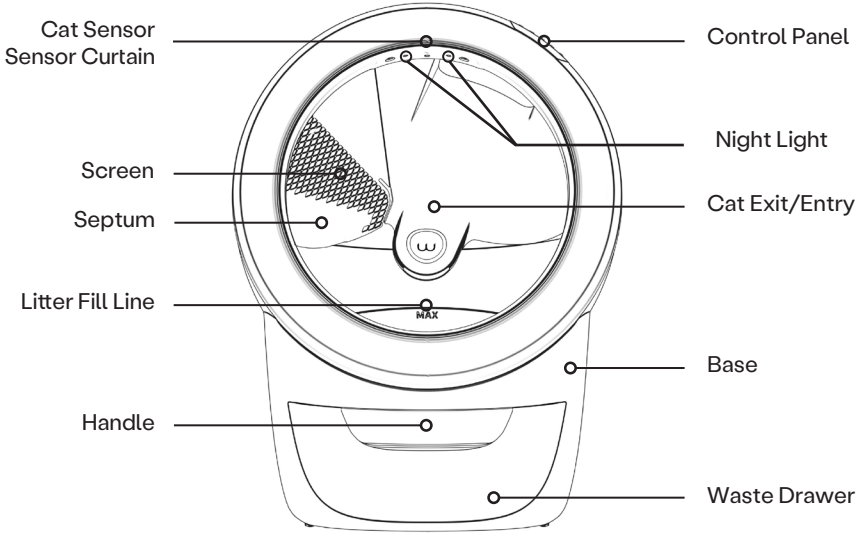
Important Safety Instructions

- **Always** be sure any cat or kitten in your household that might use the Litter-Robot weighs at least 1.36 kg. Cats must weigh 1.36 kg or more to safely use the Litter-Robot in Automatic Mode.
- **Always** place the Litter-Robot on a firm, level surface. Avoid soft, uneven, or unstable flooring, which may affect the ability of the unit to detect your cat. If using litter mats or rugs, place in front of, or completely under, the unit. Do not place mats partially under the unit. Use only low pile 6 mm rugs and mats.
- **Always** unplug the unit before servicing.
- **Never** force your cat into the Litter-Robot.
- **Never** put anything in the unit other than clumping litter or litter beads and crystals that are small enough to pass through the screen.
- **Never** sit on or place anything on top of the Litter-Robot.
- **Never** push the Litter-Robot against a wall or into a corner (should not be touching any walls for accurate weight measurements).
- **Never** wet or submerge the Bonnet or Base.
- **Never** allow children and persons with reduced physical, sensory, or mental capabilities or lack of experience and knowledge use, clean, or maintain the Litter-Robot without supervision, instruction concerning its use in a safe way, and understanding of the hazards involved. Children younger than 8 years of age should not be allowed contact with the Litter-Robot.
- **Never** allow children or others to play with the Litter-Robot.
- **Never** use an external power supply other than the one provided with the unit.
- If the external power supply is damaged, please contact us for a replacement.

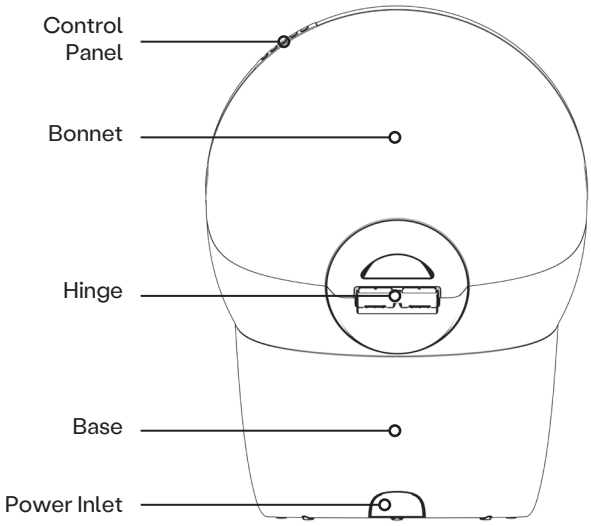
Table of Contents

Important Safety Instructions.....	5
Components and Dimensions.....	8
Setting Up Your Litter-Robot.....	12
Introducing Your Cat to the Litter-Robot	14
Ongoing Maintenance.....	15
Cycles.....	16
Control Panel - Button Functions.....	18
Power Button	18
Cycle Button	18
Reset Button.....	19
Empty Button.....	19
Connect Button.....	19
Control Panel - Light Bar.....	20
Sensors and Functions	21
Cat Presence	22
Drawer Full Indicator	22
Litter Level.....	23
Automatic Night Light	23
Sleep Mode	24
Wait Time Setting.....	24
Control Panel Lockout.....	25
Whisker App.....	26
Safety Features	27
Use and Care.....	29
Frequently Asked Questions.....	34
In-Home Trial.....	37
Contacting Customer Service	37

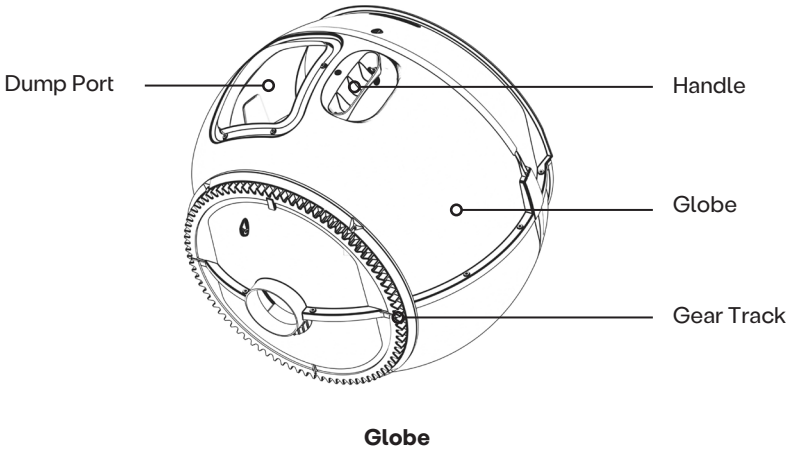
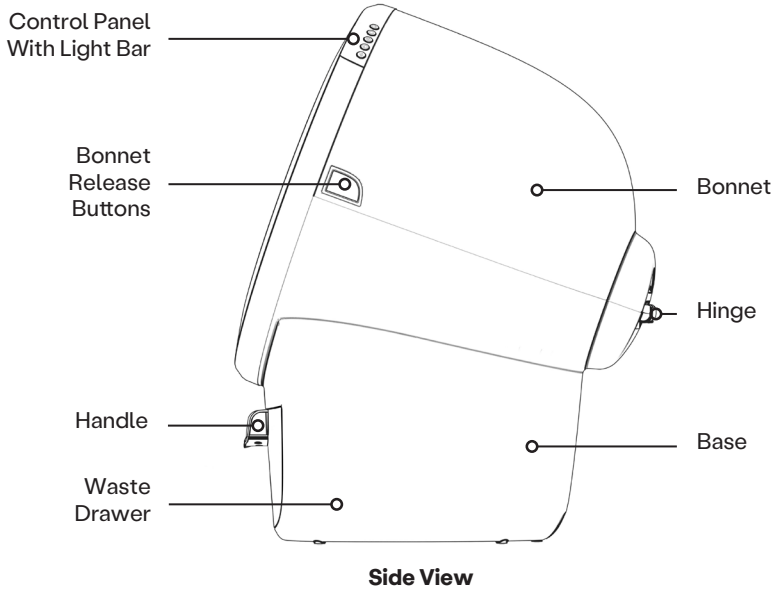
Components

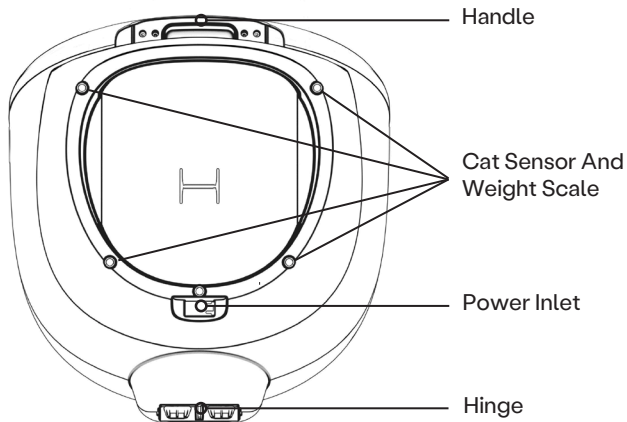


Front View



Rear View



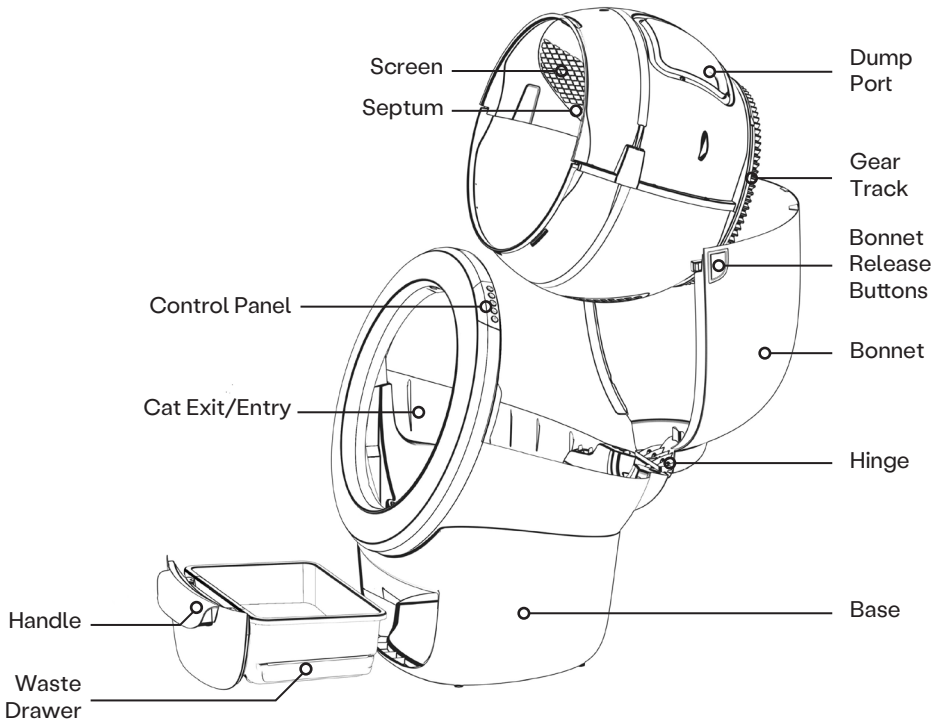


Bottom View

Dimensions

	Height	Width	x	Depth	Weight
Fully Assembled	75 cm	x 56 cm	x	68.6 cm	10.9 kg
Waste Drawer	14 cm	x 34.3 cm	x	23.5 cm	
Entryway	40 cm	x 40 cm			
Inside Globe	40-43 cm Depending on litter level	x 48.3 cm	x	45.7 cm	
Litter Bed		35.5 cm	x	35.5 cm	
Floor to Step (optional)	17.5 cm				
Step (optional) to Entryway	11.4 cm				
Floor to Entryway	30.5 cm				

Note: Images shown with standard Handle on the Waste Drawer. An optional Step and Step Mat are available for increased ease of entry.

**Exploded View**

Setting Up Your Litter-Robot

Your Litter-Robot comes fully assembled and ready to use. Get started by following the steps below.

Placement

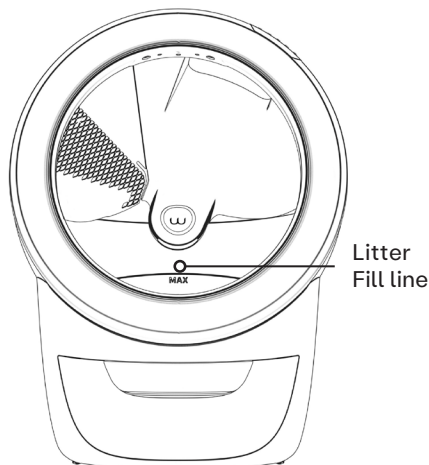
- ❑ If possible, place the Litter-Robot in the same location as the old litter box (at least during transition).
- ❑ Make sure the unit is on a firm, level surface. Avoid soft, uneven, or unstable flooring.
- ❑ Keep the unit indoors in a cool, dry location. Reduce exposure to high temperature and humidity. If possible, keep out of direct sunlight.
- ❑ Place the unit near a power outlet. Ensure the unit isn't pushed against a wall or into a corner (must not be touching any walls).
- ❑ Place litter mats or rugs in front of, or completely under, the unit. Do not place mats partially under the unit. Use only low pile 6 mm rugs and mats under the unit.

DO NOT use litters that are the strictly absorbent, non-clumping, loose-clumping, newspaper-based, or wood-based pellets.

Litter

Fill the Globe through the circular opening with **clumping litter** until it meets the raised MAX Fill Line when spread flat—approximately 3.6-4.5 kg by weight or 4L by volume. Be careful not to overfill the Globe.

The Litter-Robot litter sifting system requires clumping litter to work properly. We recommend a high-quality, clay-clumping litter. Litter beads and crystals that are small enough to pass through the screen will also work (periodic changing of this type of litter is required).



If you are using a litter alternative not listed here, please contact Customer Service to make sure you are using a compatible litter.

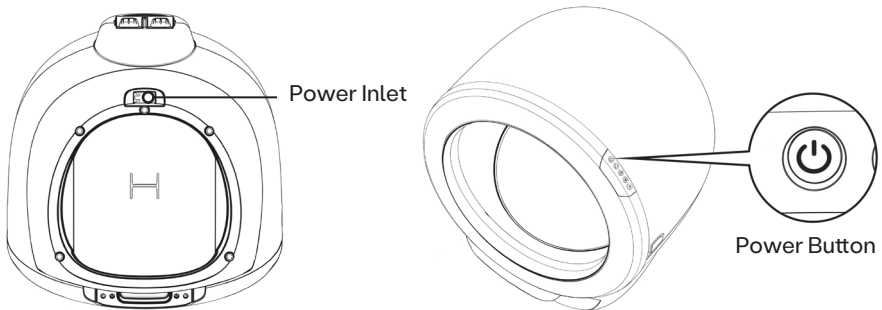
Tip: When filling the Litter-Robot for the first time, it is best to continue using the brand of litter you were using previously—as long as it is a clumping type of litter. Your cat will need to adjust to the new litter box, and introducing a new litter at the same time may increase their anxiety. However, if you are currently using a non-clumping litter, you will need to switch to a clumping type.

Power and Initial Clean Cycle

Plug the small end of the Power Supply into the power input at the back of the Base. Then plug the AC/DC adapter into a wall outlet.

Locate and press the Power button. The Litter-Robot will perform an initial Clean cycle that will last 2 minutes. Learn more about the Clean cycle on page 16.

Note: The Cat Sensor Weight Scale is disabled on the initial Clean cycle during power up to ensure that the Weight Sensors are properly zeroed once the Globe reaches the Home position.



Congratulations!

Your Litter-Robot is now ready to use; however, we recommend powering the unit off until your cat(s) become familiar with and begin using the Litter-Robot.

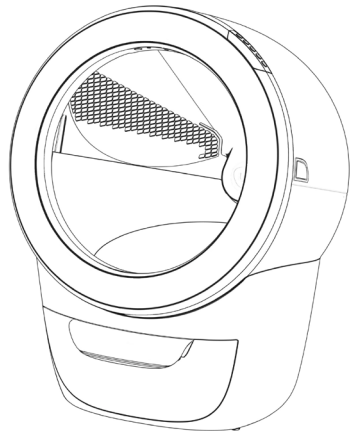
Introducing Your Cat to the Litter-Robot

Most likely, your cat will quickly adapt to the Litter-Robot. Here are some ways to facilitate the transition:

1. Place the Litter-Robot in the same location as the current litter box, set it up (make sure you add litter to the Globe), and make sure it is turned off. Give your cats a day or two to explore the Litter-Robot. If your cats show no interest, entice them to approach the Litter-Robot by using some catnip or a favourite treat.
2. Add a scoop of litter from the old litter box to provide a familiar scent for your cat.
3. Place treats on the step or handle around the Litter-Robot so your cat associates rewards with the unit.
4. Once you notice that your cats have used the Litter-Robot, power the unit on to cycle the unit. Encourage your cats to be present, so they can observe the motion and become familiar with the sound of the Litter-Robot while you are there to reassure them. Turn the unit off again once the cycle is complete (the Litter-Robot should be in the Home position). We recommend that you no longer clean the old litter box once your cats have used the Litter-Robot.
5. If your cats are not using the Litter-Robot within a few days, continue using the old brand of litter in the old litter box, and let it go as long as possible without cleaning it. Cats prefer a clean litter box and a dirty litter box might persuade them to use the clean Litter-Robot. Also consider replacing the litter in the Litter-Robot with a litter specifically formulated for litter box training.

Once your cats are consistently using the Litter-Robot, you can turn the unit on and leave it on to operate in Automatic Mode—and remove the old litter box.

Congratulations, you have successfully introduced your cats to the Litter-Robot. Enjoy your freedom from scooping!



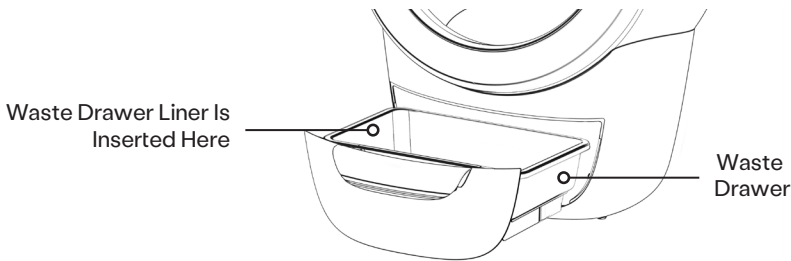
Ongoing Maintenance

Empty the Waste Drawer when indicated by the Light Bar flashing blue on the Control Panel.

How often you will need to empty the Waste Drawer depends on the number and size of your cats. For two average-sized cats, twice per week is typical. For a single cat, once per week is usually sufficient.

Pull out the Waste Drawer, gather the edges of the liner bag, and dispose. You can use Litter-Robot custom-fit Waste Drawer Liners or any 37-49L trash bags.

To install a new Waste Drawer Liner, open the bag and wrap the opening over the perimeter of the Waste Drawer flange. Push the remainder of the bag into the bottom of the Waste Drawer. Slide the drawer back in, being careful not to push the unit against the wall or into a corner (should not be touching any walls for accurate weight measurements). Then, press the Reset button to zero the Weight Sensors.



Add litter as needed.

Check the litter level once per week or each time you empty the Waste Drawer. Add just enough litter to meet the raised MAX Fill Line inside the Globe, and be careful not to overfill it to avoid wasting litter. After adding or removing litter, press the Reset button to zero the Weight Sensors.

Press the Reset button.

Any time you affect the weight or placement of the unit (including emptying the Waste Drawer, adding or removing litter, or cleaning or moving the unit), press the Reset button to ensure the Weight Sensors will detect your cat and cycle properly.

See Use and Care on page 29 to learn about the Carbon Filter, Base Seal Strips, Waste Drawer Liners, and how to clean the Litter-Robot.

Clean Cycle

After your cat leaves the Globe, the Litter-Robot automatically performs a Clean cycle. The sifting system separates the clumps from the clean litter and deposits them into the Waste Drawer below. It will take 2 minutes to complete the Clean Cycle. You can also press the Cycle button to start a Clean cycle.

During a Clean cycle, press any button to pause the cycle. Press the Cycle button to resume the cycle. Press the Reset or Empty button to abort the cycle and return the Globe to the Home position.

How it works:

The Litter-Robot is ready for use when the Globe is at the Home position and the Light Bar on the Control Panel is blue.

1. When a cat enters the Globe, the Cat Sensor(s) are activated; the blue Light Bar changes to red.
2. Once the cat exits the Globe, a countdown to the Clean cycle begins. When the Wait Time (see page 24) has elapsed, the red Light Bar changes to a yellow round robin Light Bar indicating the counterclockwise Globe rotation of the Clean cycle.
3. As the counterclockwise rotation continues, clean litter passes through the low-dust screen while litter clumps are separated from the clean litter. The clean litter is collected behind the septum.
4. During rotation, and while the Globe is upside down, an integrated weight within the bottom of the Flexible Globe Liner causes the liner to fall away from the Globe to ensure any stuck-on clumps are removed.
5. As the Globe rotates toward the Dump position, the waste clumps fall through the Waste Port into the Waste Drawer below.
6. The Globe then stops at the Dump position and begins to rotate clockwise, back toward the Home position. The Flexible Globe Liner falls back into place and clean litter spills back into the bottom of the Globe.
7. The Globe will rotate past the Home position to level the litter before finally returning to the Home position. The sequential round robin yellow Light Bar changes to the blue Light Bar, indicating the unit is ready for the next use.

If your cat re-enters the Globe during the Wait Time countdown (red Light Bar on), the Cat Sensor(s) detect that your cat has entered and will not cycle with your cat inside (see page 21). Once your cat exits, a new countdown will begin.

Empty Cycle

The Empty cycle allows you to empty all of the litter from the Globe into the Waste Drawer for easy disposal. Use this cycle to change out the entire litter bed or before cleaning the Globe (see page 31).

While the Globe is in Home position with the blue Light Bar on, press the Empty button to start an Empty cycle.

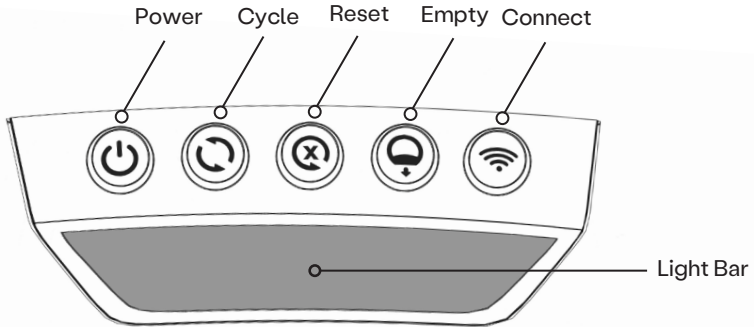
During an Empty cycle, press the Cycle, Reset, Empty, or Connect button to pause the cycle. Press the Cycle button to resume the cycle. Press the Reset button to abort the cycle and return the Globe to the Home position.

How it works:

1. Upon pressing the Empty button, the Globe rotates clockwise with the sequential round robin yellow Light Bar indicating the rotational direction.
2. As the Globe rotates clockwise, litter will fall through the Waste Port and into the Waste Drawer.
3. After the litter is emptied, the Globe pauses with the yellow Light Bar on and awaits your action. (You may need to sweep any remaining litter toward the Waste Port.)
4. Press the Cycle or Reset button to return the Globe to the Home position.

IMPORTANT: Supervise and prevent your cat from entering during the Empty Cycle.

Control Panel - Button Functions



Power Button

Press the Power button to turn the unit power ON or OFF. When turning the unit ON, the Light Bar will flash white, then the unit will perform a Clean cycle with a sequential round robin yellow Light Bar indicating the direction of rotation.

With the unit powered ON, a 3-second long press of the Power button will turn the unit OFF.



Cycle Button + (8-Hour Sleep Mode)

Press the Cycle button to start a Clean cycle (see page 16). Press the Cycle button again to pause or resume the cycle.

A 3-second long press will activate the default 8-Hour Sleep Mode (see page 24). The Light Bar will change to purple, indicating Sleep Mode is enabled for the next 8 hours. To exit this mode, press and hold the Cycle button for 3 seconds. The Light Bar will change to blue, indicating the mode has been disabled.



Reset + (Automatic Night Light)

Press the Reset button while the Globe is at the Home position with the blue Light Bar on to reset the Cat Sensor(s). When pressed during a cycle, it will pause the cycle. If pressed again while paused, it will abort the cycle. When pressed with the red Light Bar on, it will cancel the Cat Sensor Wait Time and the unit will return to Ready Mode (blue Light Bar on).

A 3-second long press enables or disables Automatic Night Light Setting Mode (see page 23).



Empty Button + (Wait Time Setting)

Press the Empty button while the Globe is at the Home position with the blue Light Bar on to start an Empty cycle (see page 17). When pressed during a Clean cycle or Empty cycle, it will pause the cycle. Pressing the Empty button during a paused cycle will abort the cycle and send the Globe back to the Home position.

A 3-second long press enables or disables Wait Time Setting Mode (see page 24).



Connect Button

Press the Connect button to turn WiFi ON or OFF.

1. WiFi OFF is indicated by a white light adjacent to the Connect button.
2. WiFi ON and connecting is indicated by a blinking blue light adjacent to the Connect button.
3. WiFi ON and connected is indicated by a solid blue light adjacent to the Connect button, completing the blue Light Bar.

A 3-second long press will initiate Onboarding Mode indicated by a blinking yellow light adjacent to the Connect button. Press and release to exit Onboarding Mode.

Control Panel - Light Bar

Blue Light Bar: Ready Mode.

Blue Light Bar Flashing: Waste Drawer is full (see page 22).

WiFi Light Status: (see page 26).

- Blue: WiFi is connected.
- White: WiFi is turned off.
- Blinking Blue: WiFi is disconnected / reconnecting.
- Blinking Yellow: Unit is in Onboarding Mode.

Yellow Light Bar: Unit is paused during a cycle.

Yellow Light Bar Flashing: Bonnet is removed. The unit will resume its previous function 5 seconds after the Bonnet is replaced (see page 27).

Yellow Round Robin Light Bar: Unit is performing a Clean or Empty cycle (see page 16).

Yellow Ping Pong Light Bar: Cycle interrupted by the Anti-Pinch Safety Feature (see page 28).

Red Light Bar: Cat detected and Wait Time Countdown initiated.

Red Light Bar Flashing: Cat detected in the unit for more than 30 minutes.

Red Ping Pong Light Bar: Motion detected in the drawer (see page 27).

Purple Light Bar: Sleep Mode enabled, unit within the specified sleep period.

White Light Bar Momentary Flash - Unit is in Control Panel Lockout Mode (see page 25).

Red Light Bar with Partial Yellow Flashing: Motor detected obstruction or jamming.

Red Light Bar with Partial White Flashing: Cannot detect Globe position. Unit will continue to function in Automatic Mode. Contact Customer Service.

Litter-Robot Sensors and Functions

Cat Sensor - Curtain Sensor

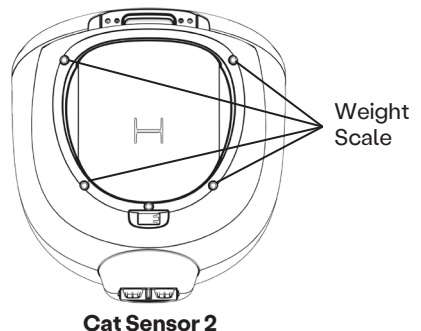
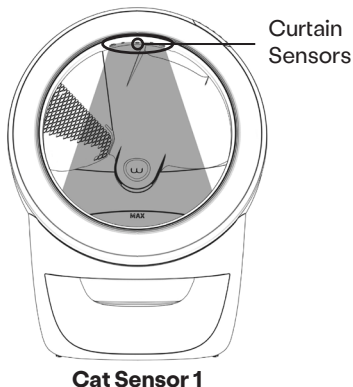
The Litter-Robot is equipped with Curtain Sensors looking downward across the unit opening and into the Globe that detect when a cat enters or exits the Globe while in the Home position. If a Curtain Sensor is activated during a cycle, the Globe will stop. After 15 seconds of no further activation, the Globe rotation will resume. If your unit is not cycling, please check the Bezel for any debris (cat fur, dust, etc.) that may be interfering with the Curtain Sensors. To correct, please wipe the Bezel and Curtain Sensor holes with a dry towel.

Cat Sensor - Weight Scale

The Litter-Robot is equipped with Weight Sensors located in the base of the unit that are used to further detect and weigh the cat within the Globe while in the Home position. If additional weight is detected during a cycle, the Globe will stop. After 15 seconds of the additional weight exiting, the Globe rotation will resume.

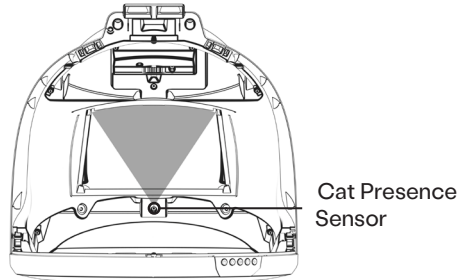
Note that each time the unit is powered ON or at the completion of a Clean cycle, the Weight Sensors measure the weight of the unit to use as a baseline, or “zero.” The Weight Scale can be “zeroed” at any time by pressing the Reset button.

Press the Reset button to zero the Weight Scale after doing anything that affects the unit's weight. Press Reset firmly and quickly, then watch for the blue Light Bar to flash to confirm you have zeroed the Weight Scale. Be careful not to rest on the unit as you press the button or your weight will influence the reading. For best accuracy of the weight scale, the unit should be placed on a hard, level surface. If placed on carpeting, the accuracy of the scale will be reduced.



Cat Presence

The Litter-Robot is equipped with a Motion Sensor that monitors the Waste Drawer. If the Motion Sensor identifies movement within the Waste Drawer while at the Home position, the unit will rotate the Globe to a position such that the Waste Port provides egress from the Waste Drawer.



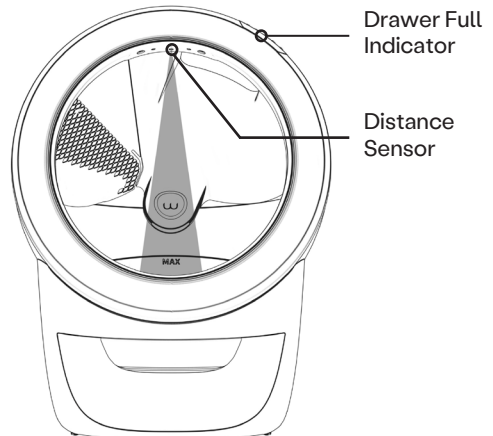
Drawer Full Indicator (DFI)

The Litter-Robot is equipped with a Distance Sensor looking downward from the top of the unit that is used to detect the waste level within the Waste Drawer. During each Clean cycle, the DFI Sensor will measure the level of waste within the Waste Drawer as the Waste Port passes over the Waste Drawer.

When the Waste Drawer is full, the Light Bar will flash blue.

- ❑ Upon the first and second activation of the DFI, the Light Bar will flash blue, and the Cat Sensor(s) remain active.
- ❑ Upon the third activation of the DFI, the Cat Sensor(s) are deactivated and the unit will no longer cycle automatically.

Check or empty the Waste Drawer, then press Reset to cancel the indicator. Press Reset again to zero the Weight Scale. Note that the Weight Scale also automatically zeroes itself after each Clean cycle.



Litter Level

Additionally, the Distance Sensor is used to measure the litter level within the unit. If the unit is connected via the Whisker app (see page 26), it will send a notification when the litter level is above or below a specified threshold.

Automatic Night Light

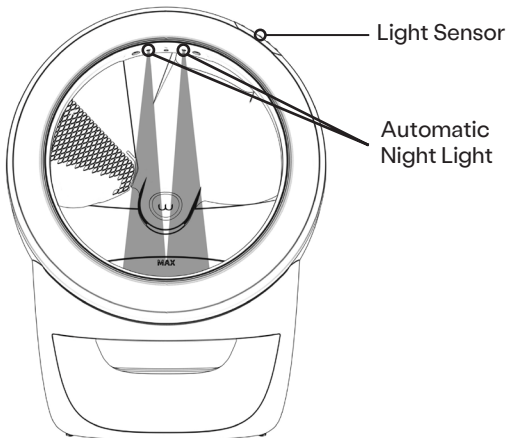
Although cats generally have excellent vision, aging and illness can diminish their ability to see in low-light conditions. The Litter-Robot arrives with the Automatic Night Light function enabled. When the Light Sensor, located in the Control Panel, detects low-light conditions, the Night Light turns on automatically.

A 3-second long press of the Reset button enters or exits Automatic Night Light Setting Mode. The Light Bar will indicate the current setting. Subsequent short presses of the Reset button will toggle through the settings shown below. After selecting the preferred setting, a 3-second long press of the Reset button will save the setting.

Always OFF → 1 Green Light displayed

Always ON → 2 Green Lights displayed

Automatic → 3 Green Lights displayed



Sleep Mode

This mode allows you to deactivate the Cat Sensor(s) for a specified period of time, so the unit will not cycle automatically. Sleep Mode is useful for units located in bedrooms or areas where you may not want the unit to cycle for a certain period of the day.

The unit is programmed with a default 8-hour sleep period. This sleep period is repeated every 24 hours; the start is determined by the time the mode is initially set.

A 3-second long press of the Cycle button will enable Sleep Mode. Sleep Mode is indicated by the Light Bar turning purple. The Light Bar will remain purple during the sleep period and then return to blue once the sleep period has expired.

During the sleep period the unit will monitor for a cat using the unit, but will not perform a Clean cycle. When the sleep period expires, if no usage of the unit was detected, the unit will change to Ready Mode, indicated by a blue Light Bar, and operate in Automatic Mode for the remainder of the 24-hour period.

If the unit detects usage during the sleep period, a Clean cycle will be performed upon the sleep period expiring. Once the Globe has returned to the Home position, the Light Bar will change to blue and the unit will operate in Automatic Mode for the remainder of the 24-hour period.

A 3-second long press of the Cycle button will disable Sleep Mode, indicated by the Light Bar changing to blue from purple, or by the Light Bar flashing purple momentarily if the unit is not in the sleep period.

Note that the Whisker app (see page 26) offers customisable Sleep Mode programming options.

Wait Time Setting

The Wait Time is the elapsed time starting from when your cat exits the Globe until the unit starts a Clean cycle. It can be set for 3, 7, 15, 25, or 30 minutes. The default Wait Time is 7 minutes.

Reduce the Wait Time if it is important to minimize odour and/or the time that waste is available to other pets, such as dogs. However, reducing the Wait Time may reduce the cleaning effectiveness if clumps do not have enough time to set up. Extend the Wait Time when using a lower-quality clumping litter that needs more time to set up.

A 3-second long press of the Empty button enters or exits Wait Time Setting Mode. The Light Bar will indicate the current Wait Time Setting. Subsequent short presses of the Empty button will toggle through the settings shown below. After selecting the preferred setting, a 3-second long press of the Empty button will save the setting.

3 minutes → 1 Green Light displayed

7 minutes → 2 Green Lights displayed

15 minutes → 3 Green Lights displayed

25 minutes → 4 Green Lights displayed

30 minutes → 5 (All) Green Lights displayed

Control Panel Lockout

Control Panel Lockout disables button functions to prevent unwanted changes. The Litter-Robot functions normally in Automatic Mode during Control Panel Lockout.

A 3-second long press of the Cycle + Reset buttons will enable or disable Control Panel Lockout Mode. The Light Bar will momentarily flash red to confirm the status change.

While in Control Panel Lockout Mode, the Light Bar will flash white when any button is pressed, indicating the Control Panel is locked.

While in Control Panel Lockout Mode, you can turn the unit OFF by pressing and holding the Power button for 3 seconds.

Whisker App

The Whisker app offers customisable programming options for your Litter-Robot from the convenience of your phone. You can monitor and control your Litter-Robot, receive notifications, get insights into your cat's health by comparing weekly and monthly stats, and more.

Installing the Whisker app

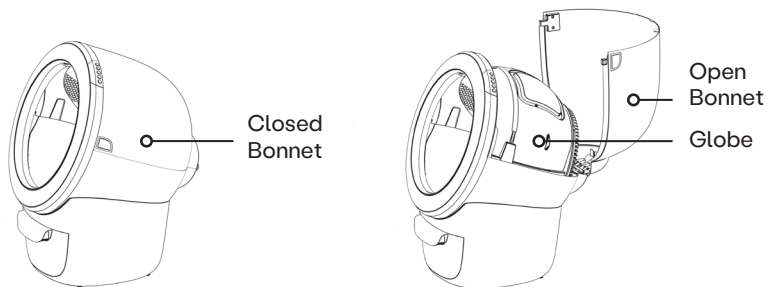
1. Press the Power button to turn the Litter-Robot ON.
2. Download the Whisker app from the App Store or Google Play.
3. Make sure Bluetooth is enabled on your mobile device. Scan the QR code to be directed to your specific app Store.
4. Your Litter-Robot ships with the unit in Onboarding Mode (WiFi light blinking yellow).
 - a. If your unit is not in Onboarding Mode, press and hold the Connect button for 3 seconds or until the Onboarding light blinks yellow.
5. Follow the prompts in the app and scan the QR code on the back of the unit as directed.
6. Once the Litter-Robot is successfully connected to WiFi, the Onboarding light on the Control Panel Light Bar will display a solid blue light.
7. If Onboarding fails, you will be prompted to retry or cancel. If you retry, the process is started over.
8. Once you have successfully Onboarded, select your unit on the home screen to view your Litter-Robot and adjust any settings.



Safety Features

Bonnet - Full Coverage

The Bonnet functions as a cover and guard for the Waste Port as the Globe rotates. The Globe will not rotate without the Bonnet installed (see Control Panel - Light Bar - Yellow Light Bar Flashing, page 20).



OmniSense Cat Detection System

The Litter-Robot's Cat Sensing system is a combination of Optical and Weight Sensors that detect your cat attempting to enter the unit during a cycle. If a cat attempts to enter the unit during a cycle, the Globe will stop with the Light Bar displaying red, indicating the cycle has been interrupted. The cycle will not resume until 15 seconds after the cat is no longer detected.

The Litter-Robot is also equipped with a Motion Sensor that monitors the Waste Drawer. If motion is detected within the Waste Drawer when the Globe is at the Home position, the unit will rotate the Globe to a position such that the Waste Port provides egress from the Waste Drawer.

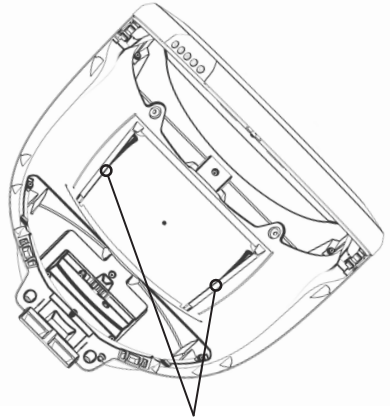
Anti-Pinch Safety Feature

The Litter-Robot is equipped with Anti-Pinch Sensors on both sides of the Waste Drawer Chute to ensure your cat's safety while using the Litter-Robot. These sensors monitor for potential pinch conditions at all times.

While cycling, if a potential pinch condition is detected, the Globe will stop and retract for 5 seconds. After a 2-second pause, the unit will attempt to continue the cycle.

While the Globe is retracting, the Light Bar will display a yellow ping pong pattern.

Note: Ensure Dual Pinch Bars are clear of excess litter.



Dual Pinch Bars

Overload Detection

If the Globe becomes jammed or overloaded during rotation, the Motor will stop and retract for 5 seconds. After a 2-second pause, the unit will attempt to continue the cycle.

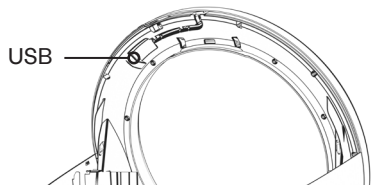
If the Globe is unable to continue the cycle after three attempts, the Globe will stop and the Light Bar will display an error code with 3 red lights and 2 flashing yellow lights.

If the Globe is able to complete a Clean cycle after experiencing a jam or overload condition, the Control Panel will return to Ready Mode (blue Light Bar). The unit will continue to function in Automatic Mode.

If the Light Bar is indicating a jammed or overloaded error, turn the unit off and remove the Bonnet and the Globe. Check for gear/motor obstruction. Reassemble the unit and verify proper litter level. Power the unit ON and let it cycle. If the problem persists, contact Customer Service.

USB Power Port

The Litter-Robot is equipped with a USB power port under the Bonnet on the backside of the Bezel. This port will provide 5V (1A) power for any external USB devices.



Optional Accessories:

Backup Battery

The Litter-Robot can be equipped with a Backup Battery. This sealed 12VDC, 1.3 Amp Hour battery allows the unit to continue working during power outages. When power to the Litter-Robot is interrupted, the unit automatically switches to Backup Battery Mode, indicated by the Control Panel Light Bar changing from full blue to solely the Power button LED flashing blue.

Note: WiFi and Night Light functionality will be disabled during Backup Battery Mode to conserve energy. Light Bar display intensity will be reduced by 50% and Night Light functionality will be disabled to conserve energy.

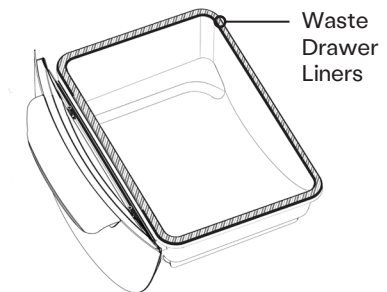
The battery pocket and connectors are located in the motor compartment of the Base. Backup Battery Kits can be ordered from litter-robot.com. Note: Use of accessories that are not sold at litter-robot.com, whisker.com, or any of our authorized resellers' websites is not approved or endorsed by Whisker. Whisker is not responsible for accidents or injuries that occur from use of non-Whisker accessories. Any modifications to or unauthorized uses of your Litter-Robot may void the warranty.

Use and Care

Installing Waste Drawer Liners

The Litter-Robot ships with a Waste Drawer Liner installed. These liners are made specifically for the Litter-Robot, but any 37-49L trash bag will also work.

1. Open a new Waste Drawer Liner or bag.
2. Wrap the edges of the Waste Drawer Liner or bag over the flange of the Waste Drawer.
3. Push the remainder of the bag into the bottom of the Waste Drawer and then slide the Waste Drawer shut.

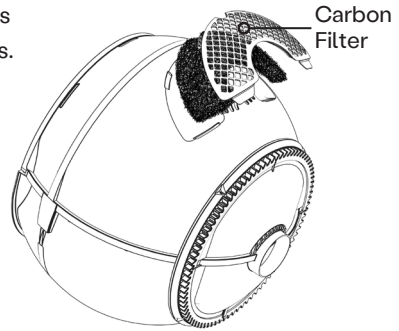


Carbon Filter

The Litter-Robot is equipped with a flexible Carbon Filter pad that is installed on the outer bottom area of the Globe. This filter sits directly over the Waste Drawer to absorb odours.

The Carbon Filter is easily removed and installed by starting a Clean Cycle, then opening the Bonnet when the Globe is at the Dump Position. Replace the Carbon Filter as needed. Under normal use, one filter should last approximately 1 month. The Carbon Filter is not required for the unit to function.

Replacement Carbon Filters and other odour-absorbing accessories can be ordered at litter-robot.com.

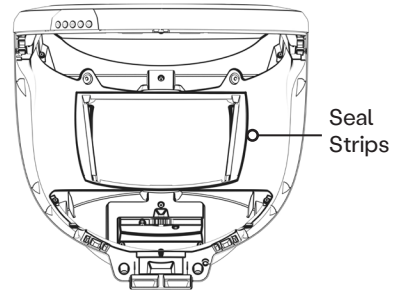


Base Seal Strips

The Litter-Robot is equipped with brush-type Seal Strips on both the top and bottom of the Base.

These Seal Strips help contain odours within the Waste Drawer.

Replace the Seal Strips when you notice they are worn flat or peeling up. Make Seal Strips last longer by trimming loose edges between replacements. Be careful not to get them wet when cleaning the Base or they may begin to peel. Replacement Seal Strips can be ordered at litter-robot.com.



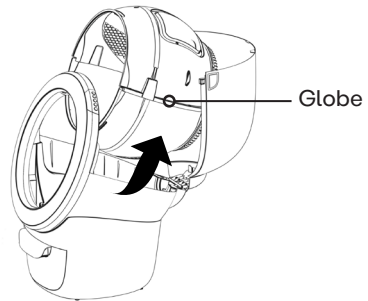
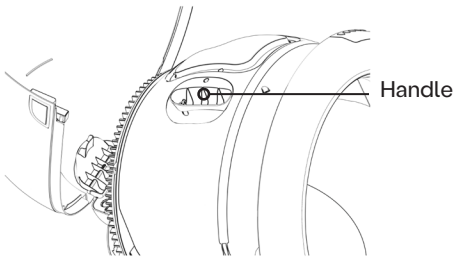
Emptying the Litter-Robot

1. Press the Empty button to cycle the Globe clockwise, which will allow the litter to fall through the Waste Port and into the Waste Drawer for easy disposal.
2. If litter remains in the Globe, sweep the granules toward the Waste Port.
3. Press any button to return the Globe to the Home position.

IMPORTANT: Supervise and prevent your cat from entering during the Empty cycle, as the unit may not detect your cat without litter in it.

Cleaning the Globe

1. Press the Empty button to cycle the Globe clockwise, which will allow the litter to fall through the Waste Port and into the Waste Drawer for easy disposal. Sweep any leftover litter toward the Waste Port. Then, press either Cycle or Reset to return the Globe to the Home position. Ensure that all litter has been removed from the Globe—wet litter turns into messy clay!
2. Turn the Litter-Robot OFF and unplug the unit.
3. Open the Bonnet: Press and hold the buttons on both sides of the Bonnet, then lift and rotate the Bonnet to its open position.
4. Remove the Globe: Using the handle, lift the Globe off the Base.
5. Remove the Carbon Filter.
6. Clean the Globe with Litter-Robot cleaner spray or wipes, or with water and a mild soap. There are no electronic components in the Globe that can be damaged by soap and water. If the Globe has become extremely dirty, it can be soaked and cleaned with a water hose.
7. Let the Globe dry completely before reassembling it to the Base and closing the Bonnet (see page 27).

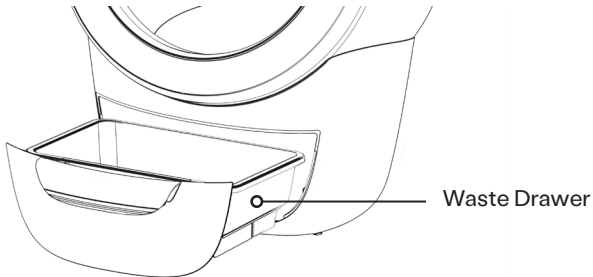


For a quick touch-up, you can use Litter-Robot cleaner wipes or a disposable towelette to wipe the inside and upper half of the Globe (without removing the litter). You can also manually rotate the Globe to a position where the litter is behind the screen, providing access to the Flexible Globe Liner surface for spot cleaning. The Litter-Robot can then be used almost immediately, since drying is nearly instantaneous.

Litter-Robot cleaner spray and wipes can be ordered at litter-robot.com.

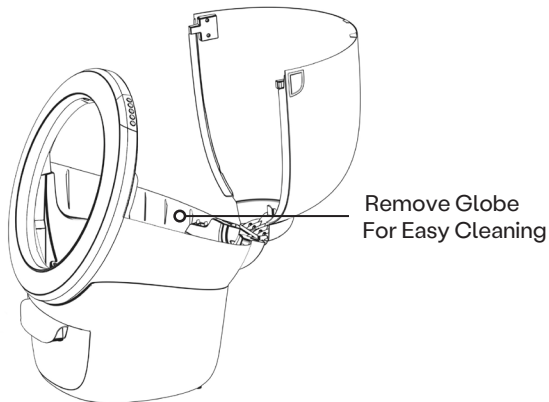
Cleaning the Waste Drawer

1. Pull the Waste Drawer out.
2. Clean the drawer with Litter-Robot cleaner spray or wipes or with soap and water.



Cleaning the Base

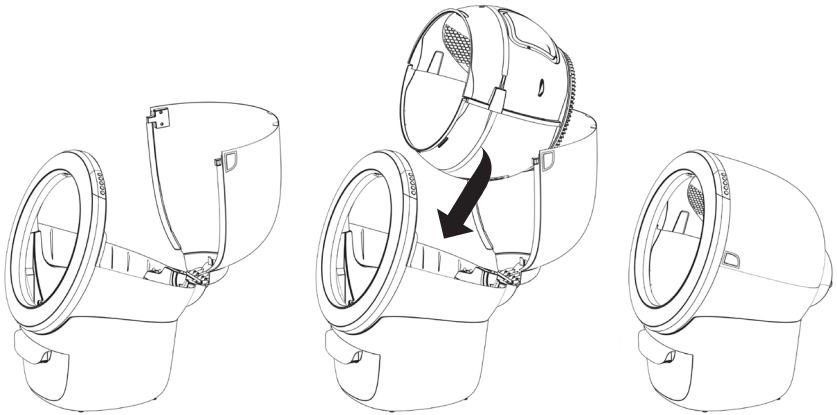
1. Never submerge, spray, or soak the Base or Control Panel. The Base and Control Panel contains sensors and electronics.
2. Wipe the surfaces of the Base with a cloth dampened with a disinfectant. If using a spray, spray away from the Base directly onto a cloth or paper towel, so disinfectant does not get on the electronics.
3. Do not use bleach.



Reinstalling the Globe

1. Place the Globe on the Base in the approximate Home position. Holding the Globe by the handle and sliding it back into the Base will align it approximately in the Home position.
2. Ensure the back of the Globe is sitting flush in the rear bearing pocket and the gear track is engaged to the motor pinion.
3. Rotate the Bonnet downward with light pressure on the sides such that the Bonnet hugs the Globe. This will help to ensure proper alignment of the Bonnet latches to the Base. Push down on the Bonnet from the top and make sure the Bonnet has latched into place and the Bonnet is secure.

Note: The unit will not run without the Bonnet installed.



Frequently Asked Questions

Will my cat actually go inside the Globe?

Cats are generally curious and will investigate new objects. Cats that are already used to a covered litter box may be quicker to investigate.

We recommend that you place the Litter-Robot in the same location as the old litter box. You can leave the old litter box near the Litter-Robot for a short time. Take a cup of litter from the old litter box and add it to the clean litter in the Litter-Robot. The scent will be familiar, and the cat will be inclined to investigate.

Once your cat ventures inside and feels the litter under their paws, they will know what to do.

Can kittens use the Litter-Robot?

We do not recommend that kittens or cats that weigh less than 1.36 kg use the Litter-Robot in the unattended Automatic Mode. Their low weight and very small size may not activate the Cat Sensing system. Cats should weigh at least 1.36 kg before using the Litter-Robot in Automatic Mode.

We recommend leaving the Litter-Robot OFF and operating in "semiautomatic" mode. When you see your kitten has used the Litter-Robot, turn it ON, and the Litter-Robot will automatically perform a Clean cycle. Once it finishes (2 minutes), turn the power OFF. This way, your kitten is safe while they get accustomed to the Litter-Robot at a young age—and you don't have to scoop the litter box!

CAUTION: Leave the Litter-Robot turned OFF and only start a Clean cycle manually until you are sure that all cats in your household are heavy enough to activate the Cat Sensing system.

What if my cat won't use the Litter-Robot?

If you and your cat are not completely satisfied, just return your Litter-Robot within 90 days for a full refund of the purchase price. Please note that you are responsible for return shipping costs. Please contact Customer Service to request a Return Authorization (RMA) number. We cannot accept return shipments without an RMA number.

What happens if my cat tries to enter the Globe while it is rotating?

The Litter-Robot Cat Sensing system will detect your cat before they enter the Globe and the motor will stop. Once your cat leaves the Globe, the Litter-Robot will wait 15 seconds before attempting to resume the cycle. See OmniSense Cat Detection System on page 27.

Are there any rakes or wires inside the Globe?

No, the Globe does not contain any rakes or wires that could hurt or harm your cat. The Litter-Robot was designed with your cat's safety in mind.

Are the electronics or power source dangerous to my cat?

No, there are no electrical components inside the Globe. The Litter-Robot operates on a safe 15 Volts DC using an adapter very similar to the ones you may have at home for a clock radio or for charging your cell phone.

Will the Globe turn while my cat is inside?

No, the Globe will not turn while your cat is inside. The Litter-Robot Cat Sensing system is triggered each time a cat enters, or re-enters the Globe, resetting the countdown timer to prevent the Clean cycle from starting for another 7 minutes.

What happens if the Globe jams?

If the Globe jams or an excessive load condition occurs, the unit will detect the condition with our Overload Detection system (see page 28). In addition, the Litter-Robot is equipped with dual Anti-Pinch Safety Features (see page 28).

Does the Litter-Robot require special litter?

No, the Litter-Robot simply requires clumping litter. We recommend a high-quality, clay-based clumping litter. Use of lightweight litters, such as corn or wheat, may not pass through the screen effectively. Some silica gel litter beads and crystals can also be used with the Litter-Robot, as long as they are able to pass through the screen.

Litters that do not work in the Litter-Robot are strictly absorbent, non-clumping or loose-clumping litters, newspaper-based litters, pine-based litters, and absorbent wood pellet litter.

How much litter do I put in the Litter-Robot?

Fill the Globe with approximately 3.6-4.5 kg of litter, until it meets the raised MAX Fill Line on the Flexible Globe Liner when the litter is spread flat. If there is too much litter in the Globe, it will be expelled into the Waste Drawer during the first few cycles. Since the waste clumps are removed during each cycle, there is no need to put excessive litter in the Globe.

How often do I need to add litter?

The Litter-Robot uses litter very efficiently since the sifting system only removes the clumps. We recommend checking the litter level against the raised MAX Fill Line (on the Flexible Globe Liner) each time you empty the Waste Drawer, which is about once per week for a single cat or twice for multiple cats. Be careful not to overfill the Globe.

Is dust a problem with the frequent rotation of the Globe and the movement of the litter?

No, the Litter-Robot is equipped with a low-dust screen design that allows the litter to sift back through the screen during a Clean cycle without creating excessive dust.

How often do I need to empty the Waste Drawer?

This depends on the number and size of your cats. For two average-sized cats, twice per week is typical. For a single cat, once per week is usually sufficient.

How often do I have to clean the inside of the Globe?

This depends on your personal preference and your cat's behaviour. We recommend cleaning the inside of the Globe every one to three months. See Use and Care on page 29.

How do I clean the Litter-Robot exterior?

Cleaning the Litter-Robot exterior is easy. First, remove the Globe, Bonnet, and Waste Drawer; spray or wipe them down with Litter-Robot cleaner or with mild soap and water; or take them outside for deep cleaning with the garden hose. All other surfaces can be wiped clean, but should not be submerged.

CAUTION: The Base of the Litter-Robot contains electrical components that should not be submerged. See Use and Care on page 29.

90-Day In-Home Trial

Buy with confidence knowing that your investment is backed by our 90-day in-home trial. If you or your cat are not satisfied with your Litter-Robot, simply return it for a refund of the purchase price. You only have to pay return shipping.

If you purchased your Litter-Robot through a source other than Whisker, you must coordinate the return with that source according to their return policy.

Whisker Customer Service

If you have questions or need assistance, contact us! Chat support is your fastest option, followed by phone support and email. Visit our support site to get started and to troubleshoot.

Chat Support

whiskersupport.com

Mon–Fri: 9AM–5PM EST

Sat–Sun: 9:30AM–5PM EST

Email Support

support@whisker.com

24/7

Mailing Address

Whisker

522 S. Western Ave

Juneau, WI 53039 USA

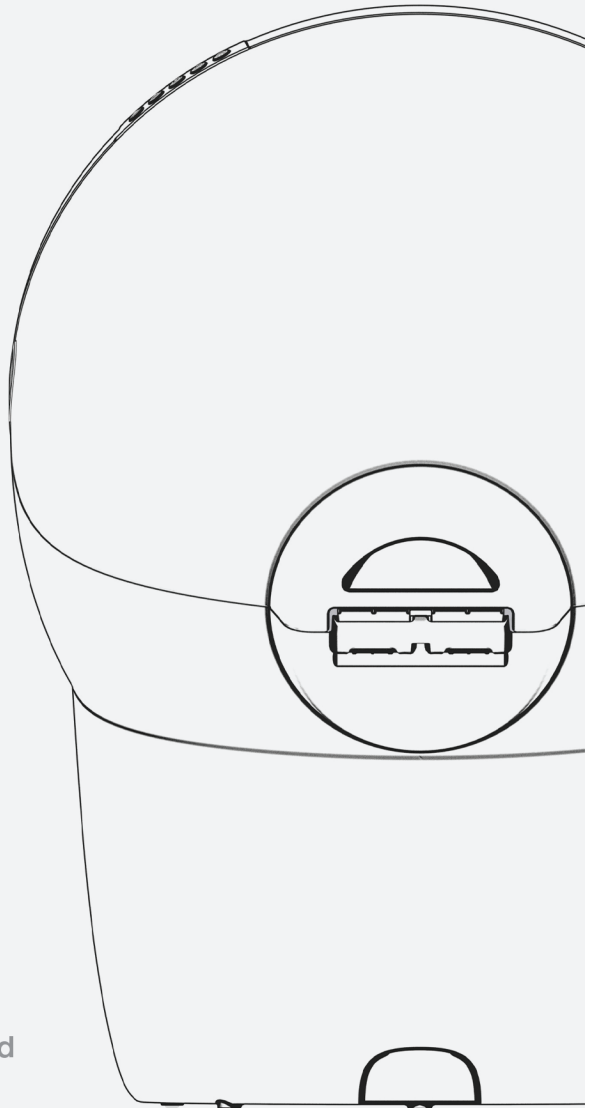
Online Troubleshooting

whiskersupport.com

litter·robot[®] 4

by whisker

Version: LR4-8018-0a



1080 W Entrance Dr
Auburn Hills MI 48326
Whisker.com

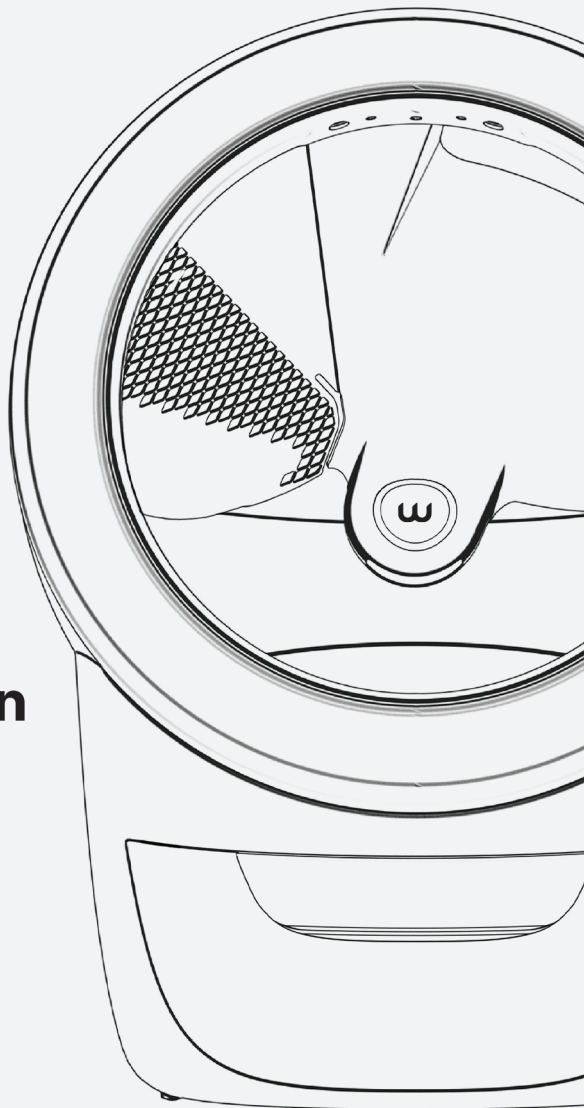
Designed & Assembled
in the USA

litter·robot® 4

by whisker

Manuel d'instruction

Whisker.com



Merci d'avoir acheté un produit Whisker !

Ce manuel vous aidera à exploiter au mieux votre Litter-Robot. Nous vous guiderons tout au long du processus de configuration et vous donnerons des conseils utiles pour acclimater votre chat à sa nouvelle litière automatique et autonettoyante.

Whisker existe pour rendre la vie des animaux de compagnie et celle de leurs parents sans cesse meilleure. En tant que principaux innovateurs dans la technologie pour animaux de compagnie et les accessoires raffinés pour animaux de compagnie, nous travaillons sans relâche pour résoudre les problèmes.

Profitez de votre Litter-Robot et d'une meilleure vie avec votre animal de compagnie !

Jacob

Président et PDG

Brad

Fondateur et Inventeur en chef



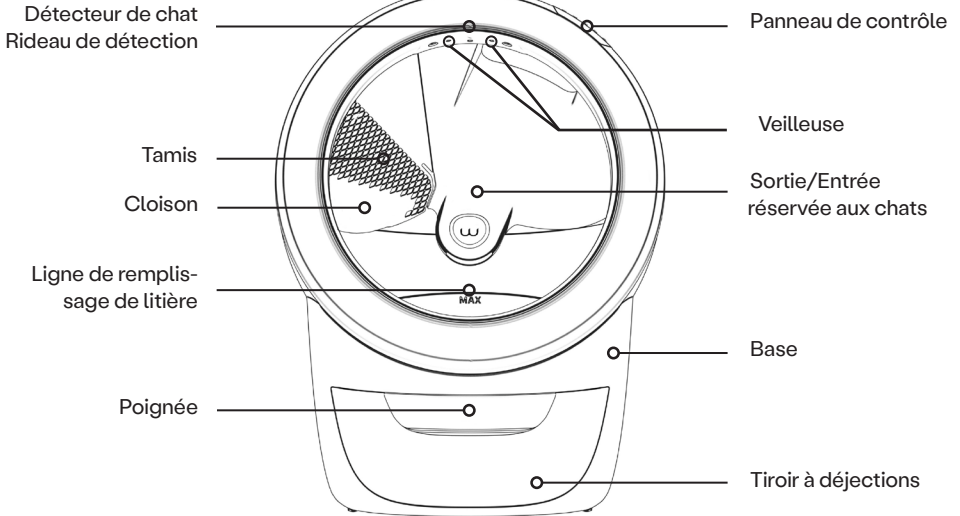
Instructions importantes de sécurité

- Assurez-vous **toujours** que tout chat ou chaton de votre ménage qui pourrait utiliser le Litter-Robot pèse au moins 1,36 kg. Les chats doivent peser 1,36 kg ou plus pour utiliser en toute sécurité le Litter-Robot en mode automatique.
- Placez **toujours** le Litter-Robot sur une surface ferme et plane. Évitez les planchers mous, inégaux ou instables, qui peuvent affecter la capacité de l'appareil à détecter le chat. En cas d'utilisation des tapis ou des carpettes, placez-les devant ou complètement sous l'appareil. Ne placez pas de tapis partiellement sous l'appareil. N'utilisez que des tapis et des carpettes à poils courts (6 mm).
- Débranchez **toujours** l'appareil avant de procéder à l'entretien.
- Ne forcez **jamais** votre chat à entrer dans le Litter-Robot.
- Ne mettez **jamais** dans l'appareil autre chose que de la litière agglomérante ou des perles et des cristaux de litière suffisamment petits pour passer à travers la grille.
- Ne vous asseyez **jamais** sur le Litter-Robot ni ne placez quoi que ce soit dessus.
- Ne poussez **jamais** le Litter-Robot contre un mur ou dans un coin (il ne devrait pas toucher les murs pour des mesures de poids précises).
- Ne mouillez ni n'immergez **jamais** le couvercle ou la base de l'appareil.
- Ne permettez **jamais** aux enfants ni aux personnes ayant des capacités physiques, sensorielles ou mentales réduites ou manquant d'expérience et de connaissances d'utiliser, de nettoyer ou d'entretenir le Litter-Robot sans supervision, sans instructions concernant son utilisation en toute sécurité et sans comprendre les dangers encourus. Les enfants de moins de 8 ans ne doivent pas être autorisés à interagir avec le Litter-Robot.
- Ne laissez **jamais** les enfants ni d'autres personnes jouer avec le Litter-Robot.
- N'utilisez **jamais** une alimentation électrique externe autre que celle fournie avec l'appareil.
- Si l'alimentation électrique externe est endommagée, contactez-nous pour un remplacement.

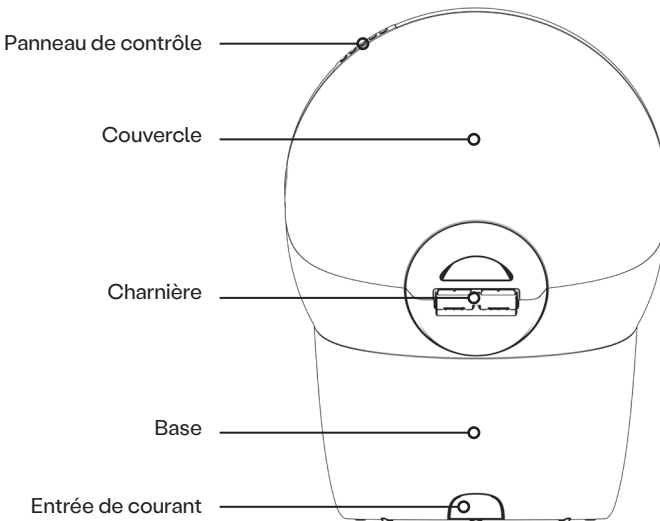
Table des matières

Consignes de sécurité importantes	5
Composantes et dimensions	8
Mise en place de votre Litter-Robot	12
Découverte du Litter-Robot par votre chat	14
Maintenance continue	15
Cycles	16
Panneau de contrôle - fonctions des boutons.....	18
Bouton d'alimentation.....	18
Bouton de cycle.....	18
Bouton de réinitialisation	19
Bouton vide	19
Bouton de connexion	19
Panneau de contrôle - Barre d'éclairage.....	20
Capteurs et Fonctions	21
Présence du chat	22
Indicateur complet du tiroir	22
Niveau de la litière.....	23
Veilleuse automatique	23
Mode veille.....	24
Configuration du temps d'attente	24
Verrouillage du panneau de contrôle	25
Application Whisker	26
Caractéristiques de sécurité	27
Utilisation et entretien	29
Foire aux questions	34
Essai à domicile.....	37
Contacteur le service clients.....	37

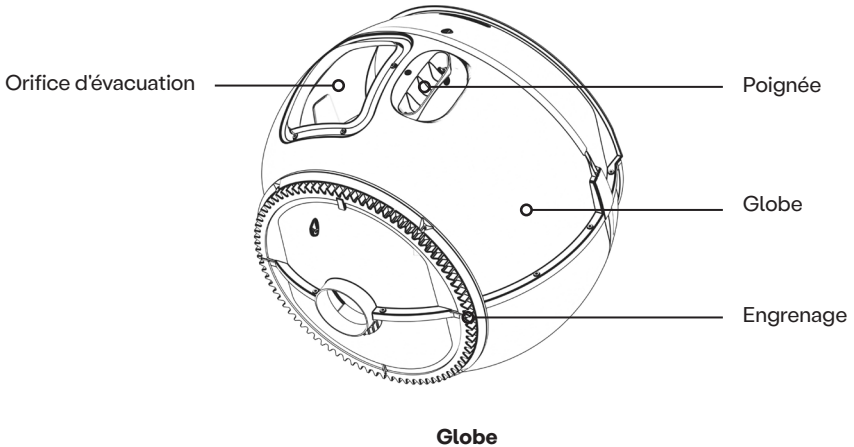
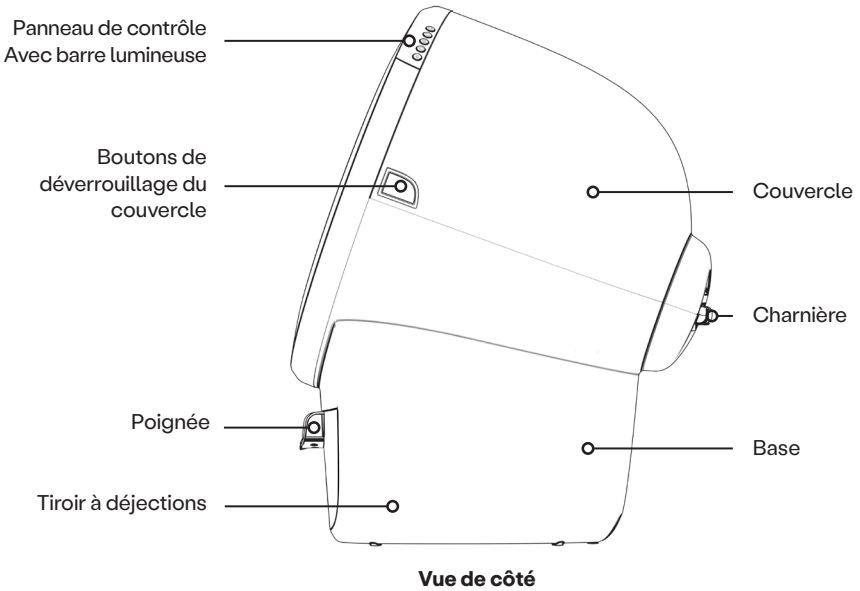
Composantes

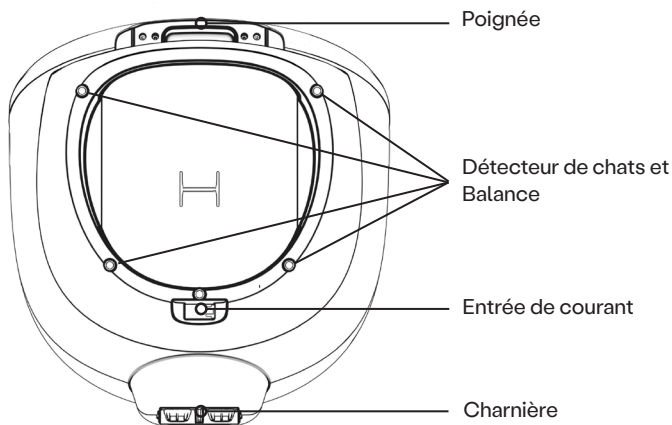


Vue de face



Vue arrière



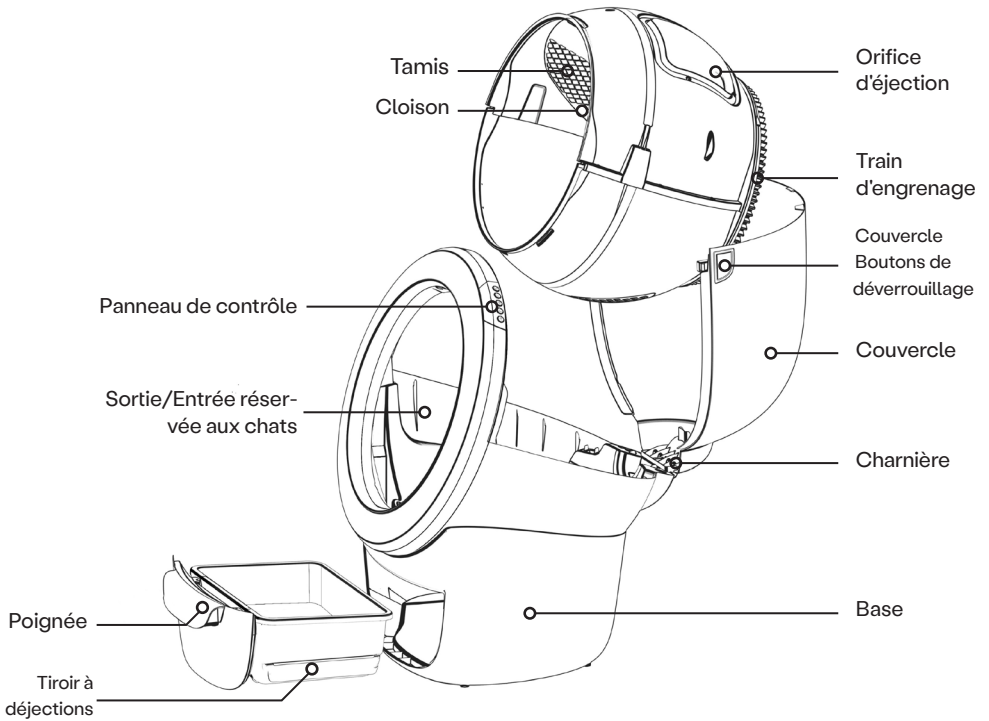


Vue de dessous

Dimensions

	Hauteur		Largeur	x	Profondeur	Poids
Entièrement assemblé	75 cm	x	56 cm	x	68,6 cm	10,9 kg
Tiroir à déjections	14 cm	x	34,3 cm	x	23,5 cm	
Entrée	40 cm	x	40 cm			
Intérieur du globe	40 à 43 cm Selon le niveau de la litière	x	48,3 cm	x	45,7 cm	
Lit de litière			35,5 cm	x	35,5 cm	
Du plancher à la marche (facultatif)	17,5 cm					
De la marche (facultatif) à l'entrée	11,4 cm					
Du plancher à l'entrée	30,5 cm					

Remarque : Images avec poignée standard sur le tiroir à déjections. Un tapis à marches et une marche en option sont disponibles pour faciliter l'entrée.

**Vue explorateur**

Installation de votre Litter-Robot

Votre Litter-Robot est livré entièrement assemblé et prêt à l'emploi. Suivez les étapes ci-dessous pour commencer.

Installation

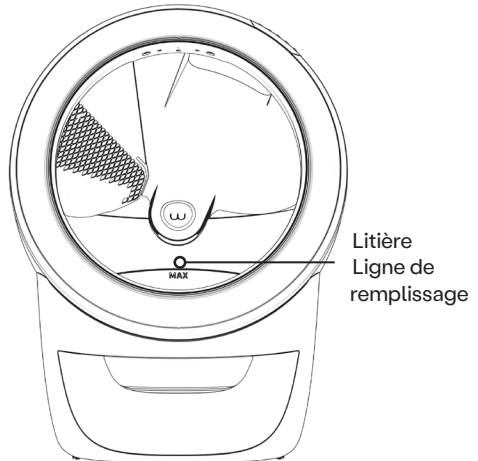
- ❑ Si ceci est possible, placez le Litter-Robot au même endroit que l'ancien bac à litière (au moins pendant la transition).
- ❑ Assurez-vous que l'appareil se trouve sur une surface ferme et plane. Évitez les revêtements de sol mous, inégaux ou instables.
- ❑ Gardez l'appareil à l'intérieur, dans un endroit frais et sec. Évitez au maximum d'exposer l'appareil à des températures et à une humidité élevées. Si possible, évitez la lumière directe du soleil
- ❑ Placez l'appareil près d'une prise de courant. Veillez à ce que l'appareil ne soit pas collé contre un mur ou dans un coin (il ne doit pas être en contact avec les murs).
- ❑ Placez le tapis ou la carquette de litière devant l'appareil, ou totalement en dessous de l'appareil. Ne placez pas de tapis partiellement sous l'appareil. N'utilisez que des tapis et des carquettes de 6 mm sous l'appareil.

N'UTILISEZ PAS de litières qui sont strictement absorbantes, non agglomérantes, meubles, à base de papier journal ni de granulés à base de bois.

Litière

Remplir le globe à travers l'ouverture circulaire avec de la **litière agglomérante** jusqu'à ce qu'elle rencontre la ligne de remplissage MAX lorsqu'elle est étalée à plat—environ 3,6 à 4,5 kg en poids ou 4 L en volume. Faites attention à ne pas trop remplir le globe.

Le système de tamisage de la litière Litter-Robot nécessite une litière agglomérante pour fonctionner correctement. Nous recommandons l'utilisation d'une litière agglomérante de haute qualité à base d'argile. Les perles et les cristaux de litière qui sont suffisamment petits pour passer à travers le tamis fonctionneront également (il faut changer périodiquement ce type de litière).



Si vous devez utiliser une autre litière que celles mentionnées ici, veuillez contacter le service clients pour vous assurer que vous utilisez une litière compatible.

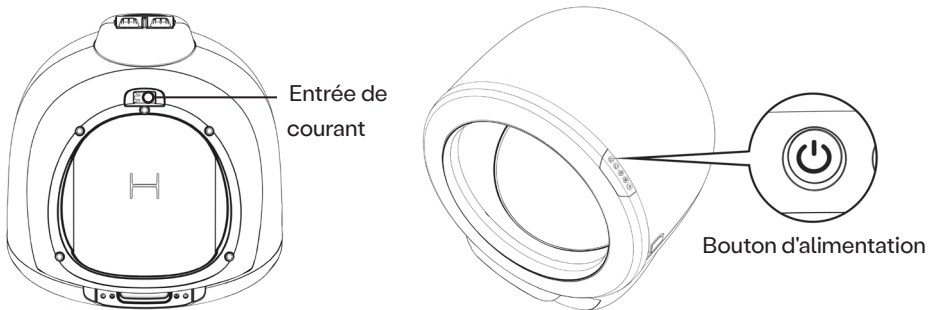
Conseil : Lorsque vous remplissez le Litter-Robot pour la première fois, il est préférable de continuer à utiliser la marque de litière que vous utilisiez auparavant, tant qu'il s'agit d'une litière agglomérante. Votre chat devra s'adapter au nouveau bac à litière, et l'introduction d'une nouvelle litière en même temps peut augmenter son anxiété. Toutefois, si vous utilisez actuellement une litière non agglomérante, vous devrez passer à un type agglomérant.

Alimentation et premier cycle de nettoyage

Branchez la petite extrémité de l'alimentation dans l'entrée d'alimentation située à l'arrière de la base, puis branchez l'adaptateur CA/CC dans une prise murale.

Localisez et appuyez sur le bouton Power (Démarrage). Le Litter-Robot effectuera un premier cycle de nettoyage qui durera environ 2 minutes. Pour en savoir plus sur le cycle de nettoyage, consultez la page 16.

Remarque : La balance de poids du détecteur de chat est désactivée lors du cycle de nettoyage initial pendant la mise sous tension pour s'assurer que les capteurs de poids sont correctement mis à zéro une fois que le globe atteint la position de repos.



Félicitations !

Votre Litter-Robot est maintenant prêt à être utilisé ; cependant, nous vous recommandons d'éteindre l'appareil jusqu'à ce que votre/vos chat(s) se familiarise(nt) avec le Litter-Robot et commence(nt) à l'utiliser.

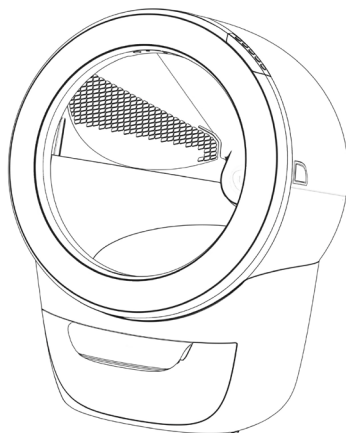
Votre chat découvre le Litter-Robot

Il est fort probable que votre chat s'adapte rapidement au Litter-Robot. Voici quelques moyens de faciliter la transition :

1. Placez le Litter-Robot au même endroit que la litière actuelle, installez-le (assurez-vous d'ajouter de la litière dans le globe), et assurez-vous qu'il est éteint. Donnez à vos chats un jour ou deux pour explorer le Litter-Robot. Si vos chats ne montrent aucun intérêt, incitez-les à s'approcher du Litter-Robot en utilisant de l'herbe à chat ou une friandise préférée.
2. Ajoutez une cuillère de litière provenant de l'ancien bac à litière pour donner une odeur familière à votre chat.
3. Placez des friandises sur la marche ou une charnière autour du Litter-Robot pour que votre chat associe les récompenses à l'appareil.
4. Lorsque vous remarquez que vos chats ont utilisé le Litter-Robot, allumez l'appareil pour le faire fonctionner. Encouragez vos chats à être présents, afin qu'ils puissent observer le mouvement et se familiariser avec le son du Litter-Robot pendant que vous êtes là pour les rassurer. Éteignez à nouveau l'appareil une fois le cycle terminé (le Litter-Robot doit être en position Repos). Nous vous recommandons de ne plus nettoyer l'ancien bac à litière une fois que vos chats ont utilisé le Litter-Robot.
5. Si vos chats n'utilisent pas le Litter-Robot dans les jours qui suivent, continuez à utiliser l'ancienne marque de litière dans l'ancien bac à litière, et laissez-le le plus longtemps possible sans le nettoyer. Les chats préfèrent une litière propre et une litière sale pourrait les persuader d'utiliser le Litter-Robot propre. Pensez également à remplacer la litière du Litter-Robot par une litière spécialement formulée pour l'adaptation au bac à litière.

Une fois que vos chats utilisent régulièrement le Litter-Robot, vous pouvez mettre l'appareil en marche et le laisser fonctionner en mode automatique, puis vous débarrasser de l'ancien bac à litière.

Félicitations, vous avez réussi à faire découvrir le Litter-Robot à vos chats. Arrêtez de nettoyer et à vous la liberté !

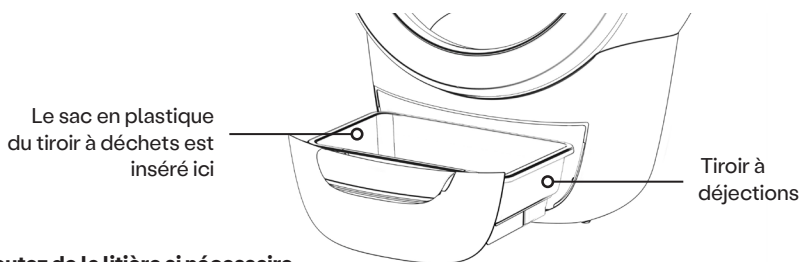


Maintenance continue

Vider le tiroir à déchets lorsque la barre lumineuse clignote en bleu sur le panneau de contrôle. La fréquence à laquelle vous devrez vider le tiroir à déjections dépend du nombre et de la taille de vos chats. Pour deux chats de taille moyenne, il est normal de le faire deux fois par semaine. Pour un seul chat, une fois par semaine suffit généralement.

Sortez le tiroir à déchets, rassemblez les bords du sac de doublure et jetez-le. Vous pouvez utiliser les doublures de tiroirs à déchets Litter-Robot sur mesure ou tout sac poubelle de 37 ou 49 l.

Pour installer un nouveau sac de tiroir à déchets, ouvrez le sac et enveloppez l'ouverture sur le périmètre de la bride du tiroir à déchets. Poussez le reste du sac dans le fond du tiroir à déchets. Remplacez le tiroir en faisant attention à ne pas coller l'appareil contre le mur ou dans un coin (il ne doit pas être en contact avec les murs). Appuyez sur le bouton Réinitialiser pour remettre à zéro les capteurs de poids.



Ajoutez de la litière si nécessaire.

Vérifiez le niveau de la litière une fois par semaine ou chaque fois que vous videz le tiroir à déchets. Ajoutez juste assez de litière pour atteindre la ligne de remplissage supérieure xxx Fill à l'intérieur du globe, et faites attention à ne pas trop remplir. Après avoir ajouté ou retiré de la litière, appuyez sur le bouton Réinitialiser pour réinitialiser le détecteur de chat.

Appuyez sur le bouton Réinitialiser.

Chaque fois que vous modifiez le poids ou l'emplacement de l'appareil (notamment en vidant le tiroir à déchets, en ajoutant ou en enlevant de la litière, en nettoyant ou en déplaçant l'appareil), appuyez sur le bouton de réinitialisation pour vous assurer que le détecteur de chat détectera votre chat et effectuera un cycle correctement.

Reportez-vous à la section Utilisation et entretien à la page 29 pour en savoir plus sur le filtre à charbon, les bandes d'étanchéité de la base, les sacs de tiroir à déchets et la façon de nettoyer le Litter-Robot.

Cycle de nettoyage

Lorsque votre chat quitte le globe, le Litter-Robot effectue automatiquement un cycle de nettoyage. Le système de tamisage breveté sépare les mottes de la litière propre et les dépose dans le tiroir à déjections situé en dessous. Il faudra 2 minutes pour terminer le cycle de nettoyage. Vous pouvez également appuyer sur le bouton Cycle pour lancer un cycle de nettoyage.

Pendant un cycle de nettoyage, appuyez sur n'importe quel bouton pour suspendre le cycle. Appuyez sur le bouton Cycle pour reprendre le cycle. Appuyez sur le bouton Réinitialiser ou Vider pour interrompre le cycle et ramener le globe à la position de repos.

Fonctionnement :

Le Litter-Robot est prêt à l'emploi lorsque le globe est à la position de repos et que le voyant bleu du panneau de contrôle est allumé.

1. Lorsqu'un chat entre dans le globe, le ou les détecteurs de chat sont activés ; la barre de lumière bleue passe au rouge.
2. Une fois que le chat sort du globe, le compte à rebours avant un cycle de nettoyage commence. Lorsque le temps d'attente (voir page 24) est écoulé, la barre de lumière rouge devient une barre de lumière jaune ronde indiquant la rotation du globe dans le sens antihoraire du cycle de nettoyage.
3. Au fur et à mesure que la rotation dans le sens antihoraire se poursuit, la litière propre passe à travers le tamis de dépoussiérage tandis que les mottes de litière sont séparés de la litière propre. La litière propre est recueillie derrière la cloison.
4. Pendant la rotation, et alors que le globe est à l'envers, un poids intégré dans le bas de la doublure flexible du globe provoque xxxla doublure de tomber loin du Globe pour s'assurer que les touffes collées sont enlevées.
5. Lorsque le globe tourne en position de décharge, les mottes de déjections tombent dans le tiroir à déjections par le trou à déjections.
6. Le globe s'arrête alors à la position de décharge et commence à tourner dans le sens des aiguilles d'une montre, vers la position de repos. La doublure flexible du globe se remet en place et la litière propre se déverse dans le fond du globe.
7. Le globe tournera au-delà de sa position de repos pour aplanir la litière avant de finalement revenir à la position de repos. La barre de lumière jaune ronde séquentielle passe à la barre de lumière bleue, indiquant que l'appareil est prêt pour la prochaine utilisation.

Si votre chat rentre de nouveau dans le globe pendant le compte à rebours (pendant que la barre lumineuse rouge est activée), le ou les détecteur(s) de chat détectent que votre chat est entré et le globe ne démarrera pas de cycle avec votre chat à l'intérieur (voir page 21). Une fois le chat sorti, un nouveau compte à rebours commence.

Cycle de vidage

Le cycle de vidage vous permet de vider toute la litière du globe dans le tiroir à déjections pour faciliter la mise au rebut. Utilisez ce cycle pour remplacer la litière entière ou avant de nettoyer le globe (voir page 31).

Lorsque le Globe est en position de repos avec la barre de lumière bleue allumée, appuyer sur le bouton Vider pour lancer un cycle de vidage.

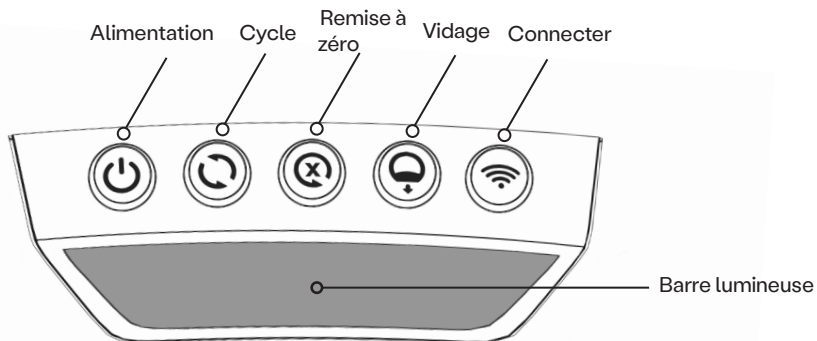
Pendant un cycle de vidage, appuyez sur le bouton Cycle, Réinitialiser, Vider ou Connexion pour mettre le cycle en pause. Appuyez sur le bouton Cycle pour reprendre le cycle. Appuyez sur le bouton Réinitialiser pour interrompre le cycle et ramener le globe à la position de repos.

Fonctionnement :

1. En appuyant sur le bouton Vider, le globe tourne dans le sens des aiguilles d'une montre avec la barre de lumière jaune séquentielle circulaire indiquant la direction de rotation.
2. Alors que le globe tourne dans le sens d'une aiguille d'une montre, la litière tombe dans le trou à déjections et dans le tiroir à déjections.xxxx
3. Une fois que toute la litière est vidée, le globe s'immobilise avec le voyant jaune allumé, en attente d'une action de votre part. (Vous devrez peut-être pousser la litière résiduelle vers le trou.)
4. Appuyez sur le bouton Cycle ou Réinitialiser pour remettre le globe en position de repos.

IMPORTANT : Supervisez et empêchez votre chat d'entrer pendant le cycle de vidage.

Panneau de contrôle - Fonctions des boutons



Bouton d'alimentation

Appuyez sur le bouton d'alimentation pour ALLUMER ou ÉTEINDRE l'appareil. Lorsque l'appareil est mis sous tension, la barre lumineuse clignote en blanc, puis l'appareil effectue un cycle de nettoyage avec une barre lumineuse de couleur jaune circulaire séquentielle indiquant le sens de rotation.

Lorsque l'appareil est sous tension, une pression de 3 secondes sur le bouton d'alimentation l'éteint.



Bouton Cycle + [mode veille de 8 heures]

Appuyez sur le bouton Cycle pour lancer un cycle de nettoyage (voir page 16). Appuyez de nouveau sur le bouton Cycle pour mettre le cycle en pause ou le reprendre.

Une pression de 3 secondes active le mode veille par défaut de 8 heures (voir page 24). La barre lumineuse passe au violet, indiquant que le mode veille est activé pendant les 8 heures suivantes. Pour quitter ce mode, appuyez sur le bouton Cycle et maintenez-le enfoncé pendant 3 secondes. La barre lumineuse devient bleue, indiquant que le mode a été désactivé.



Réinitialisation + (Veilleuse automatique)

Appuyez sur le bouton Réinitialiser lorsque le globe est en position de repos avec la barre de lumière bleue allumée pour réinitialiser le ou les détecteur(s) de chat. Si vous appuyez sur ce bouton pendant un cycle, ce dernier est mis en pause. Si vous appuyez à nouveau dessus, le cycle sera interrompu. Lorsque la barre de lumière rouge est activée, le temps d'attente du détecteur de chat est annulé et l'appareil revient en mode Prêt (barre de lumière bleue activée).

Une pression de 3 secondes active ou désactive le mode de configuration automatique de la veilleuse (voir page 23).



Bouton Vider et [Configuration du temps d'attente]

Appuyer sur le bouton Vider lorsque le globe est en position de repos avec la barre de lumière bleue activée pour lancer un cycle de vidage (voir page 17). Si vous appuyez sur ce bouton pendant un cycle de nettoyage ou un cycle de vidage, ce dernier est mis en pause. Si vous appuyez sur le bouton Vider pendant un cycle xxxx, le cycle sera interrompu et renverra le globe en position de repos.

Une pression de 3 secondes active ou désactive le mode de réglage des temps d'attente (voir page 24).



Bouton de connexion

Appuyez sur le bouton Connexion pour activer ou désactiver le WiFi.

1. Un voyant blanc adjacent au bouton de connexion indique que le WIFI est éteint.
2. Un voyant bleu clignotant à côté du bouton de connexion indique que le WIFI est allumé.
3. Un voyant bleu continu et adjacent au bouton Connexion complétant la barre de lumière bleue.

Une pression de 3 secondes déclenchera le mode d'intégration indiqué par un voyant jaune clignotant à côté du bouton Connexion. Appuyez et relâchez pour quitter le mode d'intégration.

Panneau de contrôle - Barre de lumière

Barre de lumière bleue Mode Prêt.

Témoin lumineux bleu clignotant : Le tiroir de déjections est plein (voir page 22)

État du témoin WIFI (voir page 26).

- Bleu : Le WIFI est connecté.
- Blanc : Le WIFI est désactivé.
- Bleu clignotant : Le WIFI est désactivé/en cours de reconnexion
- Jaune clignotant : L'appareil est en mode intégration :

Témoin jaune : L'appareil est mis en pause pendant le cycle.

Voyant jaune clignotant : Le couvercle est retiré. L'appareil recommencera à fonctionner 5 secondes après que le couvercle aura été remis en place (voir page 27).

Témoin Round Robin jaune. L'appareil effectue un cycle de nettoyage ou de vidange (voir page 16).

Témoin de Ping Pong jaune. Cycle interrompu par la fonction de sécurité anti-pincement (voir page 28).

Témoin rouge : Chat détecté et décompte du temps d'attente lancé.

Voyant rouge clignotant : Un chat a été détecté dans l'appareil pendant plus de 30 minutes.

Témoin de Ping Pong rouge : Mouvement détecté dans le tiroir (voir page 27).

Témoin violet : Mode veille activé, appareil dans la période de veille spécifiée.

White Light Bar Momentary Flash - L'appareil est en mode de verrouillage du panneau de contrôle (voir page 25).

Témoin rouge avec clignotantn jaune partiel : Le moteur a détecté une obstruction ou un blocage.

Témoin rouge avec clignotant blanc partiel : Impossible de détecter la position du globe. L'appareil continue de fonctionner en mode automatique. Contactez le service client.

Fonctions et capteurs du Litter-Robot

Détecteur de chats - capteur de rideau

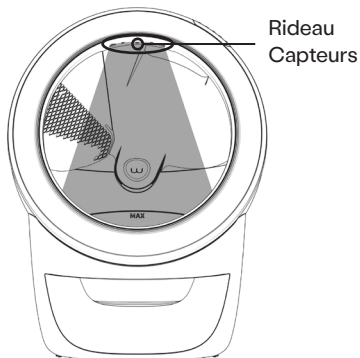
Le Litter-robot est équipé de Capteurs rideaux orientés vers le bas à travers l'ouverture de l'appareil et dans le globe qui détectent quand un chat entre ou sort du globe lorsqu'il est en position de repos. Si un capteur de rideau est activé pendant un cycle, le globe s'arrête. Après 15 secondes d'inactivité, la rotation du globe reprend. Si votre appareil ne fonctionne pas, veuillez vérifier la lunette pour voir s'il y a des débris (fourrure de chat, poussière, etc.) qui pourraient interférer avec les capteurs de rideau. Pour corriger cela, veuillez essuyer les trous de la lunette et du capteur de rideau à l'aide d'une serviette sèche.

Détecteur pour chats - balance

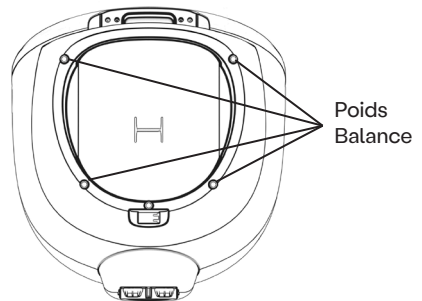
Le Litter-Robot est équipé de capteurs de poids situés dans la base de l'appareil. Ces capteur sont utilisés pour détecter et peser davantage le chat dans le globe en position de repos. Si un poids supplémentaire est détecté au cours d'un cycle, le globe s'arrête. Après 15 secondes de perte de poids supplémentaire, la rotation du globe reprend.

Notez que chaque fois que l'appareil est sous tension ou à la fin d'un cycle de nettoyage, les capteurs de poids mesurent le poids de l'unité à utiliser comme référence, ou « zéro ». La balance de poids peut être mise à zéro à tout moment en appuyant sur le bouton Réinitialiser.

Appuyez sur le bouton Réinitialiser pour mettre à zéro la balance de poids après avoir fait quoi que ce soit qui affecte le poids de l'unité. Appuyez fermement et rapidement sur le bouton Réinitialiser et attendez que le voyant bleu clignote pour confirmer que vous avez réinitialisé la balance. Veuillez à ne pas vous appuyer sur l'appareil lorsque vous appuyez sur le bouton, sinon votre poids sera pris en compte dans la valeur enregistrée par celui-ci. Pour une précision optimale de la balance, l'appareil doit être placé sur une surface dure et plane. S'il est placé sur la carpe, la précision de l'échelle sera réduite.



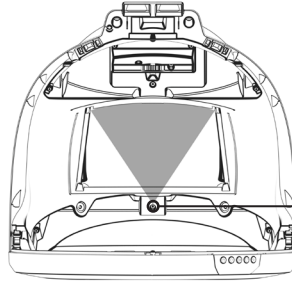
Détecteur de chat 1



Détecteur de chat 2

Présence du chat

Le Litter-Robot est équipé d'un capteur de mouvement qui surveille le tiroir à déjections. Si le capteur de mouvement détecte un mouvement à l'intérieur du tiroir à déjections en position de repos, l'appareil fera pivoter le globe jusqu'à ce que le trou à déjections assure l'évacuation du tiroir à déjections.



Capteur de présence du chat.

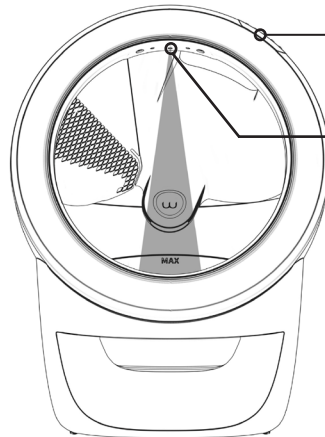
Indicateur complet du tiroir (DFI)

Le Litter-Robot est équipé d'un capteur de distance orienté vers le bas à partir du haut de l'appareil qui est utilisé pour détecter le niveau de déchets dans le tiroir à déjections. Au cours de chaque cycle de nettoyage, le capteur DFI mesure le niveau de déchets dans le tiroir à déjections à mesure que le trou à déjections passe au-dessus du tiroir à déjections.

Lorsque le tiroir à déjections est plein, le témoin clignote en bleu.

- ❑ Lors de la première et de la deuxième activation du DFI, le témoin clignote en bleu et le ou les détecteur(s) de chat restent actifs.
- ❑ Lors de la troisième activation de l'IFD, le ou les détecteur(s) de chat sont désactivés et l'appareil ne tourne plus automatiquement.

Vérifiez ou videz le tiroir à déjections, puis appuyez sur le bouton Réinitialisation pour annuler l'indicateur. Appuyez de nouveau sur Réinitialiser pour mettre à zéro la balance. Notez que la balance se met automatiquement à zéro après chaque cycle de nettoyage.



Indicateur complet du tiroir

Capteur de distance

Niveau de litière

En outre, le capteur de distance est utilisé pour mesurer le niveau de litière dans l'unité. Si l'appareil est connecté via l'application Whisker (voir page 26), il envoie une notification lorsque le niveau de litière est supérieur ou inférieur à un seuil spécifié.

Veilleuse automatique

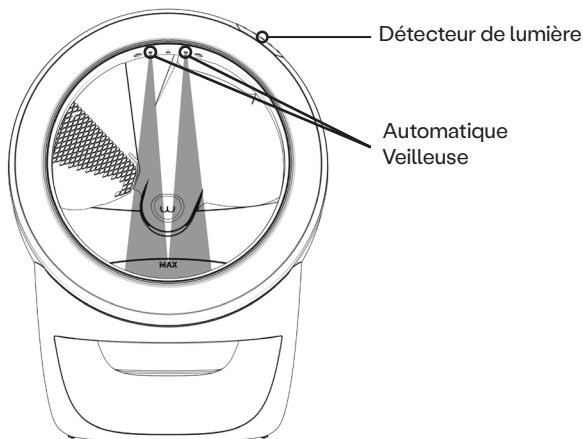
Bien que les chats aient généralement une excellente vision, le vieillissement et la maladie peuvent diminuer leur capacité à voir dans des conditions de faible luminosité. Le Litter-Robot est livré avec sa fonction de veilleuse automatique activée. Lorsque le capteur de lumière, situé dans le panneau de contrôle, détecte des conditions de faible luminosité, la veilleuse s'allume automatiquement.

Une pression de 3 secondes sur le bouton Réinitialiser fait entrer ou sortir du mode de réglage automatique de la veilleuse. Le témoin indique le réglage actuel. De courtes pressions subséquentes sur le bouton Réinitialiser basculeront à travers les paramètres indiqués ci-dessous. Après avoir sélectionné le réglage préféré, une pression de 3 secondes sur le bouton Réinitialiser permet d'enregistrer le réglage.

Toujours ÉTEINT → 1 voyant vert s'affiche

Toujours ALLUMÉ → 2 voyants vert s'affichent

Automatique → 3 voyants vert s'affichent



Mode veille

Ce mode vous permet de désactiver le ou les détecteur(s) de chat pendant une période de temps spécifique, afin d'éviter qu'un cycle ne démarre automatiquement. Le mode veille est utile pour les appareils installés dans des chambres ou des zones où vous ne souhaitez pas que l'appareil effectue des cycles pendant une certaine période de temps.

L'appareil est programmé avec une période de sommeil par défaut de 8 heures. La période de 8 heures se répète toutes les 24 heures ; le début est déterminé par l'heure à laquelle le mode est initialement réglé.

Une pression de 3 secondes sur le bouton Cycle active le mode Veille. Le mode veille est indiqué par le témoin qui devient violet. Le témoin lumineux restera violet pendant la période de sommeil, puis reviendra au bleu une fois la période de sommeil expirée.

Pendant la période de sommeil, l'appareil surveille la présence d'un chat à l'aide de l'appareil, mais n'effectue pas de cycle de nettoyage. Lorsque la période de sommeil expire, si aucune utilisation de l'appareil n'a été détectée, l'appareil passe en mode Prêt, indiqué par une barre lumineuse bleue, et fonctionne en mode automatique pendant le reste de la période de 24 heures.

Si l'appareil détecte une utilisation pendant la période de sommeil, un cycle de nettoyage sera effectué à l'expiration de la période de sommeil. Une fois que le globe est revenu à la position de repos, le témoin lumineux passe au bleu et l'appareil fonctionne en mode automatique pendant le reste de la période de 24 heures.

Une pression de 3 secondes sur le bouton Cycle désactive le mode veille, indiqué par le témoin lumineux passant du violet au bleu, ou par le témoin lumineux qui clignote brièvement en violet si l'appareil n'est pas en période de sommeil.

Notez que l'application Whisker (voir page 26) offre des options de programmation personnalisables en mode veille.

Réglage du temps d'attente

Le temps d'attente est le temps qui s'écoule entre le moment où votre chat sort du globe et le moment où un cycle de nettoyage démarre. Ce temps peut être réglé sur 3, 7, 15, 25 ou 30 minutes. Par défaut, le temps d'attente est de 7 minutes.

Réduisez le temps d'attente s'il est important de réduire au minimum les odeurs ou le temps que les autres animaux de compagnie, comme les chiens peuvent perdre. Cependant, trop réduire le temps d'attente pourrait réduire l'efficacité du nettoyage, dans la mesure où les mottes n'auront pas le temps de se former. Allongez ce délai d'attente lorsque vous utilisez une litière agglomérante de basse qualité, qui a besoin de plus de temps pour former des mottes.

Une pression de 3 secondes sur le bouton de vidage entre ou sort du mode de réglage des temps d'attente. Le témoin indique le réglage du temps d'attente actuel. De courtes pressions subséquentes sur le bouton Vider feront basculer les paramètres indiqués ci-dessous. Après avoir sélectionné les réglages préférés, une pression de 3 secondes sur le bouton de vidange sauvegardera les réglages.

- 3 minutes → 1 témoin s'affiche
- 7 minutes, → 2 témoins s'affichent
- 15 minutes → 3 témoins s'affichent
- 25 minutes → 4 témoins s'affichent
- 30 minutes → 5 (tous) les témoins s'affichent

Verrouillage du panneau de contrôle

Le verrouillage du panneau de contrôle désactive les fonctions des boutons pour éviter les modifications accidentelles. Le Litter-Robot fonctionne normalement en mode automatique quand le panneau de contrôle est verrouillé.

Une pression de 3 secondes sur les boutons Cycle + Réinitialisation active ou désactive le mode de verrouillage du panneau de configuration. Le témoin lumineux clignote momentanément en rouge pour confirmer le changement d'état.

En mode de verrouillage du panneau de contrôle, le témoin lumineux clignote en blanc lorsqu'un bouton est enfoncé, indiquant que le panneau est verrouillé.

Lorsque le panneau de contrôle est verrouillé, vous pouvez quand même éteindre l'appareil en appuyant longuement le bouton d'alimentation pendant 3 secondes.

Application Whisker

L'application Whisker offre des options de programmation personnalisables pour votre Litter-Robot depuis votre téléphone. Vous pouvez surveiller et contrôler votre Litter-Robot, recevoir des notifications, obtenir des informations sur la santé de votre chat en comparant les statistiques hebdomadaires et mensuelles, et plus encore.

Installation de l'application Whisker

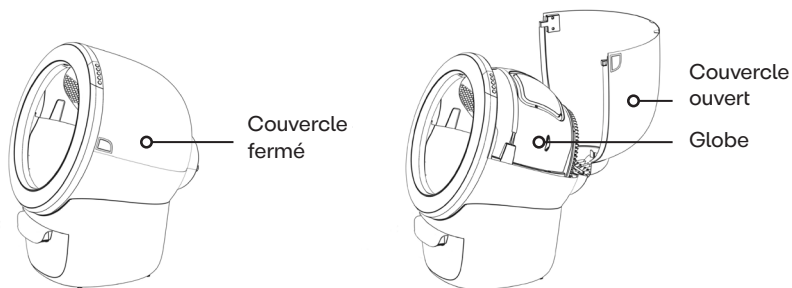
1. Appuyez sur le bouton d'alimentation pour allumer le Litter-Robot.
2. Téléchargez l'application Whisker à partir de l'App Store ou de Google Play.
3. Assurez-vous que le Bluetooth est activé sur votre appareil mobile. Scannez le code QR pour être dirigé vers votre app Store spécifique.
4. Votre Litter-Robot est livré avec l'appareil en mode intégration (témoin WiFi clignotant en jaune).
 - a. Si votre appareil n'est pas en mode intégration, appuyez et maintenez enfoncé le bouton Connexion pendant 3 secondes ou jusqu'à ce que le voyant de l'intégration clignote en jaune.
5. Suivez les instructions de l'application et balayez le code QR au verso de l'appareil comme indiqué.
6. Une fois que le Litter-Robot est correctement connecté au WiFi, le voyant d'intégration sur la barre lumineuse du panneau de contrôle affiche une lumière bleue solide.
7. En cas d'échec de l'intégration, vous serez invité à réessayer ou à annuler. Si vous réessayez, le processus est recommence.
8. Une fois que vous avez réussi l'intégration, sélectionnez votre appareil sur l'écran d'accueil pour afficher votre Litter-robot et ajuster tous les réglages.



Dispositifs de sécurité

Couvercle - couverture complète

Le couvercle fait office d'obturateur et de protection du trou à déjections lorsque le globe est en rotation. Le globe ne tourne pas sans le couvercle installé (voir Panneau de contrôle - Barre lumineuse - Barre lumineuse jaune clignotante, page 20).



Système de détection de chats Omnisenze

Le système de détection de chats de Litter-Robot est une combinaison de capteurs optiques et de poids qui détectent votre chat tentant d'entrer dans l'unité pendant un cycle. Si un chat tente d'entrer dans l'appareil au cours d'un cycle, le globe s'arrête avec la barre lumineuse rouge, indiquant que le cycle a été interrompu. Le cycle ne reprend que 15 secondes après que le chat n'est plus détecté.

Le Litter-robot est également équipé d'un capteur de mouvement qui surveille le tiroir à déjections. Si un mouvement est détecté dans le tiroir à déjections lorsque le globe est en position de repos, l'appareil fera pivoter le globe jusqu'à ce que le trou à déjections assure l'évacuation du tiroir à déjections.

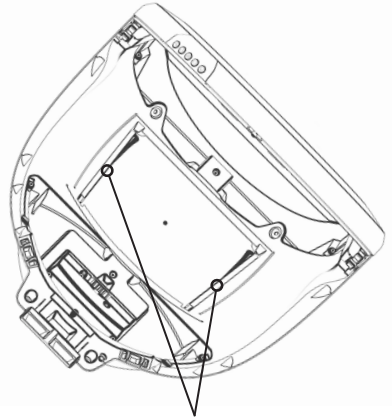
Dispositif de sécurité anti-pincement

Le Litter-Robot est équipé de capteurs anti-pincements des deux côtés du tiroir à déjections pour assurer la sécurité de votre chat lors de l'utilisation du Litter-Robot. Ces capteurs surveillent en tout temps les risques de pincement.

Pendant le cycle, si l'appareil détecte un pincement potentiel, le globe s'arrête et tourne en direction inverse pendant 5 secondes. Après une pause de deux secondes, l'appareil tentera de poursuivre le cycle.

Pendant que le globe se rétracte, la barre de lumière affiche un motif de ping-pong jaune.

Remarque : Assurez-vous que les barres de pincement doubles sont dégagées de tout excès de litière.



Barres de pincement doubles

Détection des surcharges

Si le globe est bloqué ou surchargé pendant la rotation, le moteur s'arrête et se rétracte pendant 5 secondes. Après une pause de deux secondes, l'appareil tentera de poursuivre le cycle.

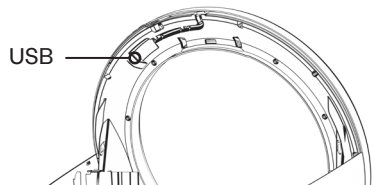
Si le globe n'est pas en mesure de poursuivre le cycle après trois tentatives, il s'arrêtera et la barre lumineuse affichera un code d'erreur avec 3 voyants rouges et 2 voyants jaunes clignotants.

Si le globe est en mesure de terminer un cycle de nettoyage après avoir subi un blocage ou une surcharge, le panneau de contrôle revient en mode Prêt (barre lumineuse bleue). L'appareil continue de fonctionner en mode automatique.

Si la barre lumineuse indique une erreur de blocage ou de surcharge, éteignez l'appareil et retirez le globe et le couvercle. Recherchez une obstruction au niveau de l'engrenage ou du moteur. Remontez l'appareil et vérifiez que le niveau de litière est correct. Mettez l'appareil sous tension et laissez-le démarrer. Si le problème persiste, contactez le service client.

Port d'alimentation USB

Le Litter-Robot est équipé d'un port d'Alimentation USB sous le capot à l'arrière de la lunette. Ce port fournit une alimentation 5V (1A) pour tous les périphériques USB externes.



Accessoires en option

Batterie de secours

Le Litter-Robot peut être équipé d'une batterie de secours. L'usage d'une batterie de 12 VCC et 1,3 A/h scellée permet à l'appareil de continuer à fonctionner pendant les coupures de courant. Lorsque l'alimentation du Litter-Robot est interrompue, l'appareil passe automatiquement en mode batterie de secours, indiqué par la barre lumineuse du panneau de commande, passant du bleu intégral au bleu clignotant uniquement de la LED du bouton d'alimentation.

Remarque : Les fonctions WiFi et Veilleuse seront désactivées en mode batterie de secours pour économiser l'énergie. L'intensité de l'affichage de la barre lumineuse sera réduite de 50 % et la fonction de la veilleuse sera désactivée pour économiser de l'énergie.

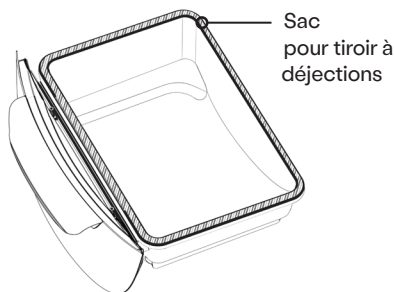
Le compartiment pour batterie et les connecteurs sont situés dans le fond de la base. Les kits de batterie de secours peuvent être commandés sur litter-robot.com. Remarque : L'utilisation d'accessoires qui ne sont pas vendus sur litter-robot.com, whisker.com ou tout autre site Web de nos revendeurs autorisés n'est pas approuvée ou approuvée par Whisker. Whisker n'est pas responsable des accidents ou des blessures qui surviennent lors de l'utilisation d'accessoires qui ne sont pas de marque Whisker. Toute modification ou utilisation non autorisée de votre Litter-Robot peut annuler la garantie.

Utilisation et entretien

Installation des sacs à déjections

Le Litter-Robot est livré avec des sacs pour le tiroir à déjections. Ces sacs biodégradables sont spécialement conçus pour le Litter-Robot, mais n'importe quel sac poubelle de 37 à 49 litres peut également être utilisé.

1. Ouvrez un nouveau sac ou une nouvelle doublure de tiroir à déchets.
2. Enroulez les bords de la doublure ou du sac du tiroir à déchets sur le rebord du tiroir à déchets.
3. Poussez le reste du sac dans le fond du tiroir à déchets, puis faites glisser le tiroir à déchets pour le fermer.

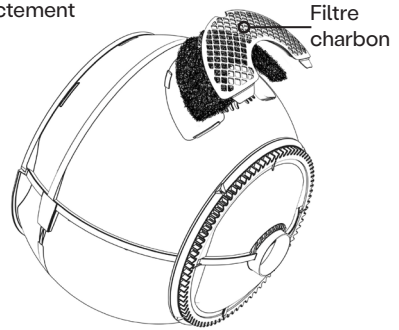


Filtre à charbon

Le Litter-Robot est équipé d'un filtre à charbon flexible qui s'installe sur la partie extérieure de la base du globe. Ce filtre se place directement au-dessus du tiroir à déjections pour absorber les odeurs.

Il est facile de démonter et d'installer le filtre à charbon en commençant un cycle de nettoyage, puis en ouvrant le capot lorsque le globe est en position de décharge. Remplacez le filtre à charbon si nécessaire. Dans des conditions normales d'utilisation, 1 filtre devrait durer environ 1 mois. Le filtre à charbon n'est pas nécessaire au fonctionnement de l'appareil.

Des filtres de rechange à charbon et d'autres accessoires absorbant les odeurs peuvent être commandés sur litter-robot.com.



Bandelettes d'étanchéité de la base

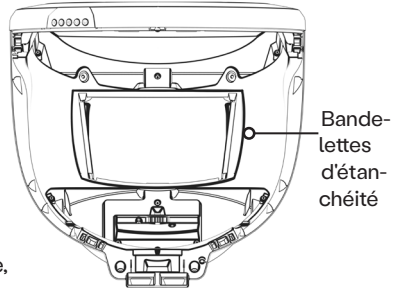
Le Litter-Robot est équipé de bandelettes d'étanchéité de type brosse sur le haut et le bas de la base.

Ces bandelettes contribuent à conserver l'odeur dans le tiroir à déjections.

Remplacez les bandelettes d'étanchéité lorsque vous remarquez qu'elles sont usées ou qu'elles se décollent.

Pour en allonger leur durée de vie, coupez les bouts qui se détachent à chaque fois que vous changez la litière.

Attention de ne pas les mouiller lorsque vous nettoyez la base, sinon, elles se décolleront. Vous pouvez commander des bandelettes d'étanchéité de rechange sur Litter-Robot.com.



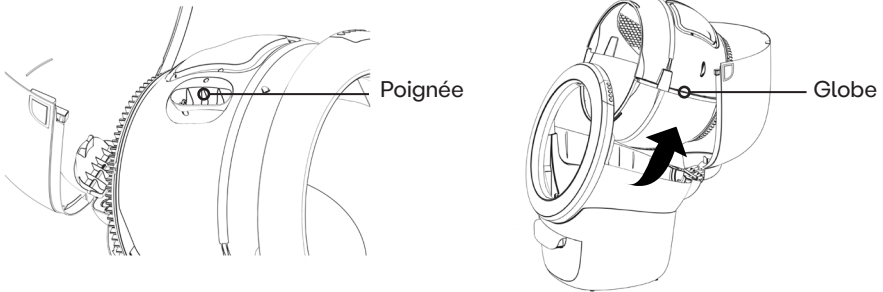
Vidage du Litter-Robot

1. Appuyez sur le bouton Vider pour faire tourner le globe dans le sens des aiguilles d'une montre et permettre à la litière de tomber par le trou prévu à cet effet dans le tiroir à déjections afin de mettre le tout au rebut.
2. S'il reste de la litière dans le globe, balayez les granules jusqu'au trou à déjections.
3. Appuyez sur n'importe quel bouton pour remettre le globe en position de repos.

IMPORTANT : Surveillez et empêchez votre chat d'entrer dans l'appareil pendant le cycle de vidange, car il se peut que l'appareil ne détecte pas votre chat tant qu'il ne contient pas de litière.

Nettoyage du globe

1. Appuyez sur le bouton Vider pour faire tourner le globe dans le sens des aiguilles d'une montre et permettre à la litière de tomber par le trou prévu à cet effet dans le tiroir à déjections afin de mettre le tout au rebut. Balayez la litière résiduelle dans le trou à déjections. Appuyez ensuite sur Cycle ou Réinitialiser pour remettre le globe en position de repos. Assurez-vous que toute la litière a été enlevée du globe. La litière humide finit par former une pâte sale !
2. Éteignez le Litter-Robot et débranchez-le.
3. Ouvrez le couvercle : appuyez et maintenez les boutons des deux côtés du couvercle, puis soulevez et tournez-le en position ouverte.
4. Enlevez le globe : à l'aide de la poignée, soulevez le globe de la base.
5. Retirez le filtre à charbon.
6. Nettoyez le globe avec un vaporisateur nettoyant Litter-Robot ou des lingettes, ou avec de l'eau et un savon doux. Le globe ne contient pas de composants électroniques susceptibles de s'endommager au contact de l'eau et du savon. Si le globe devient très sale, vous pouvez le faire tremper et le nettoyer au jet d'eau ou à la laveuse à pression.
7. Laissez le globe sécher complètement avant de le remonter sur la base et de fixer le couvercle (voir page 27).

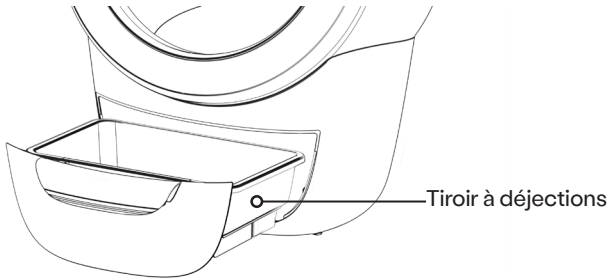


Si vous voulez juste nettoyer une tache, vous pouvez utiliser des lingettes jetables Litter-robot pour essuyer la moitié supérieure de l'intérieur du globe (sans enlever la litière). Vous pouvez également faire pivoter manuellement le globe jusqu'à ce que la litière se trouve derrière le tamis, ce qui donne accès à la surface de la doublure flexible du globe pour un nettoyage ponctuel. Vous pouvez utiliser le Litter-Robot immédiatement, le séchage étant presque immédiat.

Le vaporisateur nettoyant et les lingettes Litter-Robot peuvent être commandés sur le site litter-robot.com.

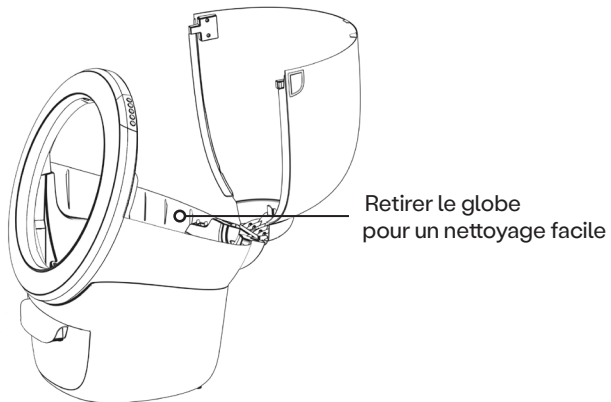
Nettoyage du tiroir à déjections

1. Sortez le tiroir à déjections.
2. Nettoyez le tiroir avec un spray nettoyant Litter-Robot ou des lingettes ou avec du savon et de l'eau.



Nettoyage de la base

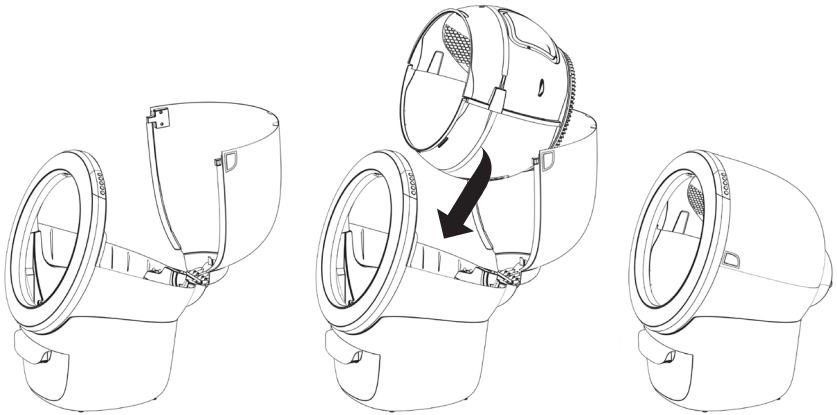
1. N'immergez, ne vaporisez ni ne trempez la base ou le panneau de commande. La base et le panneau de commande contiennent des capteurs et des composants électroniques.
2. Essuyez les surfaces de la base à l'aide d'un chiffon humide imbibé de désinfectant. Si vous utilisez un vaporisateur, vaporisez d'abord le chiffon loin de la base, de manière à ce que le désinfectant ne pénètre pas dans les composants électroniques.
3. N'utilisez pas de produit javellisé.



Réinstallation du globe en cours

1. Placez le globe sur la base en position de repos approximative. Tenez le globe par la poignée et faites-le glisser vers la base pour l'aligner approximativement à la Position de repos.
2. Assurez-vous que l'arrière du globe est bien aligné dans la poche de roulement arrière et que le rail d'engrenage est engagé sur le pignon du moteur.
3. Faites tourner le couvercle vers le bas en appuyant légèrement sur ses côtés pour que le couvercle embrasse le globe. Cela aidera à aligner correctement les ergots du couvercle avec les fentes de la base. Exercez une pression sur le couvercle vers le bas depuis le haut et assurez-vous qu'il est bien en place et sécurisé.

Remarque : L'appareil ne fonctionnera pas tant que le couvercle n'est pas installé.



Foire aux questions

Mon chat va-t-il vraiment entrer dans le globe ?

Les chats sont généralement curieux et explorent tout nouvel objet. Les chats qui ont déjà l'habitude d'utiliser un bac à litière couvert seront sans doute les premiers à vouloir découvrir le LitterRobot.

Nous recommandons de mettre le Litter-Robot au même endroit que l'ancien bac à litière. Vous pouvez temporairement laisser l'ancien bac à litière à côté du Litter-Robot. Introduisez une petite quantité de l'ancienne litière dans le bac du Litter-Robot. L'odeur sera familière et le chat aura envie de découvrir la nouvelle litière.

Une fois que votre chat entre dans le globe et sent la litière sous ses pattes, il saura quoi faire.

Le Litter-Robot peut-il être utilisé pour les chatons ?

Nous ne recommandons pas que les chatons ou les chats qui pèsent moins de 1,36 kg utilisent le Litter-Robot en mode automatique sans surveillance. Leur faible poids et leur très petite taille peuvent ne pas activer le système de détection de chats. Pour qu'un chat utilise le Litter-Robot en mode automatique, il doit peser au moins 1,36 kg.

Nous recommandons de laisser le Litter-Robot éteint et de le faire fonctionner en mode « semi-automatique ». Lorsque vous voyez que votre chaton a utilisé le Litter-Robot, allumez-le et un cycle de nettoyage démarra automatiquement. Une fois le cycle terminé (au bout de 2 minutes), éteignez le Litter-Robot. De cette façon, votre chaton est en sécurité pendant qu'il se familiarise au Litter-Robot dès son plus jeune âge, et vous n'aurez pas à ramasser la litière !

ATTENTION : Laissez le Litter-Robot éteint et ne démarrez un cycle de nettoyage que manuellement jusqu'à ce que vous soyez sûr que tous les chats de votre maison sont assez lourds pour activer le système de détection de chats.

Que faire si mon chat n'utilise pas le Litter-Robot ?

Si vous et votre chat n'êtes pas entièrement satisfaits, il vous suffit de renvoyer votre Litter-Robot dans les 90 jours pour obtenir un remboursement complet du prix d'achat. Veuillez noter que les frais de retour de marchandise sont à votre charge. Veuillez contacter le service clients pour demander un numéro d'autorisation de retour de marchandise (RMA). Nous ne pouvons pas accepter les retours sans numéro RMA.

Que se passe-t-il si mon chat essaie d'entrer dans le globe alors qu'il est en rotation ?

Le système de détection de chats Litter-Robot détectera votre chat avant qu'il n'entre dans le Globe et le moteur arrêtera de fonctionner. Une fois que votre chat aura quitté le globe, le Litter-Robot attendra 15 secondes avant de tenter de reprendre le cycle. Voir Système de détection de chats OmniSense, page 27.

Y a-t-il des racleurs ou des câbles électriques dans le globe ?

Non, le globe ne contient ni racleurs ni câbles susceptibles de faire du mal à votre chat. Le LitterRobot a été conçu en pensant d'abord à la sécurité de votre chat.

Les circuits électroniques et la source d'alimentation sont-ils dangereux pour mon chat ?

Non, aucun composant électrique ne se trouve dans le globe. Le Litter-Robot fonctionne sous une tension sécuritaire de 15 Volts CC avec un adaptateur qui ressemble beaucoup à celui que vous utilisez pour un radioréveil ou pour charger votre portable.

Le globe va-t-il tourner pendant que mon chat est à l'intérieur ?

Non, le globe ne tournera pas tant que votre chat se trouve à l'intérieur. Le système de détecteur de chat du Litter-Robot est déclenché chaque fois qu'un chat entre ou retourne dans le globe, ce qui réinitialise le compte à rebours pour empêcher le cycle de nettoyage de démarrer pendant encore 7 minutes.

Que se passe-t-il si le globe se bloque ?

Si le globe se bloque ou si une condition de charge excessive se produit, l'appareil détecte la condition à l'aide de la détection de surcharge (voir page 28). De plus, le Litter-Robot est équipé d'une fonction de sécurité anti-pincement (voir page 28).

Le Litter-Robot nécessite-t-il une litière spéciale ?

Non, le Litter-Robot requiert simplement une litière agglomérante. Nous recommandons l'utilisation d'une litière agglomérante de haute qualité, à base d'argile. L'utilisation de litières légères, comme le maïs ou le blé, peut ne pas passer à travers le tamis efficacement. Certains cristaux et perles de litière en gel de silice peuvent également être utilisés avec le Litter-Robot, à condition qu'ils passent à travers le tamis.

Le Litter-Robot ne fonctionne pas avec les litières strictement absorbantes, non agglomérantes ou meubles, les litières à base de journaux, à base de pins et les litières absorbantes à base de granulés de bois.

Quelle quantité de litière dois-je mettre dans le Litter-Robot ?

Remplissez le globe avec environ 3,6 à 4,5 kg de litière, jusqu'à ce qu'elle atteigne la ligne de remplissage haute marquée Fill xxx lorsque la litière est à plat. Si vous mettez trop de litière dans le globe, l'excès sera évacué dans le tiroir à déjections pendant les premiers cycles. Puisque les mottes de litière et les déjections sont retirées pendant chaque cycle, il n'est pas nécessaire de mettre trop de litière dans le globe.

À quelle fréquence devrai-je ajouter de la litière ?

Le Litter-Robot utilise la litière très efficacement puisque le système de tamisage breveté n'élimine que les mottes. Nous vous recommandons de vérifier le niveau de litière pour vous assurer qu'il atteigne la ligne de remplissage marquée Fill (dessinée en relief sur le revêtement en caoutchouc noir du globe) chaque fois que vous videz le tiroir à déjections, soit environ une fois par semaine pour un chat ou deux fois par semaine pour plusieurs chats. Faites attention à ne pas trop remplir le globe.

La rotation fréquente du globe et le mouvement de la litière posent-ils un problème de poussière ?

Non, le Litter-Robot est équipé d'un écran à faible poussière qui permet à la litière de repasser à travers l'écran pendant un cycle de nettoyage sans créer de poussière excessive.

À quelle fréquence devrai-je vider le tiroir à déjections ?

Cela dépend du nombre de chats que vous avez et de leur taille. Pour deux chats de taille moyenne, il est normal de le faire deux fois par semaine. Pour un seul chat, une fois par semaine suffit généralement.

Combien de fois dois-je nettoyer l'intérieur du globe ?

Cela dépend de vos préférences personnelles et du comportement de votre chat. Nous recommandons de nettoyer l'intérieur du globe à une fréquence de un à trois mois. Voir la section Utilisation et entretien à la page 29.

Comment nettoyer l'extérieur du Litter-Robot ?

Il est facile de nettoyer l'extérieur du Litter-Robot. Tout d'abord, retirez le globe, le couvercle et le tiroir de déjections; vaporisez-les ou essuyez-les avec le nettoyant Litter-Robot ou avec de l'eau et du savon doux; ou prenez-les à l'extérieur pour un nettoyage en profondeur avec le tuyau d'arrosage. Toutes les autres surfaces peuvent être essuyées, mais ne doivent pas être immergées.

ATTENTION : La base du Litter-Robot contiennent des composants électriques qui ne doivent pas être immergés. Voir la section Utilisation et entretien à la page 29.

90 jours d'essai à domicile

Achetez en toute confiance en sachant que votre placement est soutenu par notre placement de 90 jours d'essai à domicile. Si vous ou votre chat n'êtes pas satisfait de votre Litter-Robot, retournez-le simplement pour un remboursement du prix d'achat. Vous n'avez qu'à payer des frais de retour.

Si vous avez acheté votre Litter-Robot auprès d'un fournisseur autre que Whisker, vous devez coordonner le retour avec ce fournisseur conformément à sa politique de retour.

Service à la clientèle Whisker

Si vous avez des questions ou si vous avez besoin d'aide, contactez-nous ! Le soutien par clavardage est votre option la plus rapide, suivie du soutien par téléphone et par e-mail. Visitez notre site de soutien pour commencer et dépanner.

Soutien par clavardage

Visitez whiskersupport.com

Lundi à vendredi 9 h 30 à 17 h EST

Samedi au dimanche 9 h 30 à 17 h EST

Adresse postale

Whisker

522 S. Western Ave

Juneau, WI 53039 USA

Soutien par e-mail

support@whisker.com

24/7

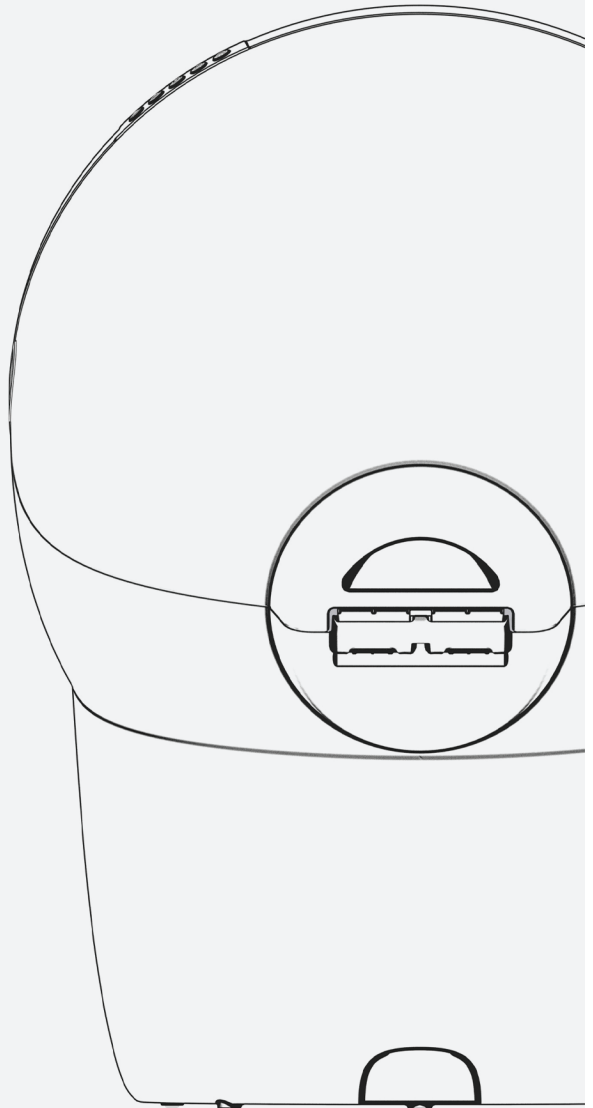
Dépannage en ligne

Visitez whiskersupport.com

litter·robot[®] 4

by whisker

Version : LR4-8018-0a

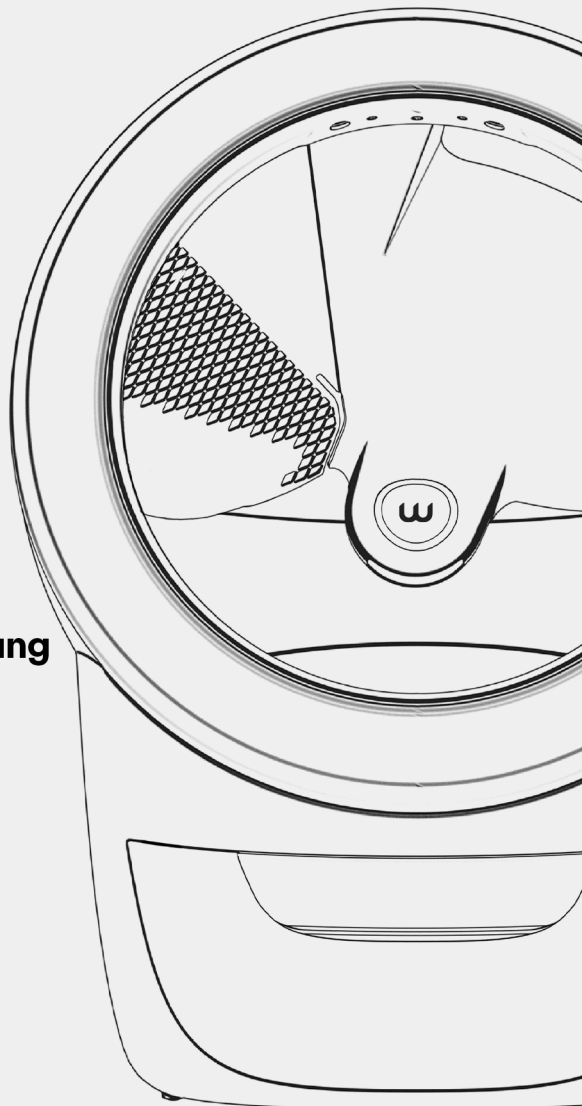


1080 W Entrance Dr
Auburn Hills MI 48326
Whisker.com

Conçu et assemblé
aux États-Unis

litter·robot® 4

by whisker



Bedienungsanleitung

Whisker.com

Vielen Dank, dass Sie sich für ein Whisker-Produkt entschieden haben.

Mit dieser Anleitung können Sie Ihren Litter-Robot optimal nutzen. Wir führen Sie durch den Einrichtungsvorgang und geben Ihnen hilfreiche Tipps und Ratschläge dazu, wie Sie Ihre Katze an ihre neue, automatische, selbstreinigende Katzentoailette gewöhnen.

Whisker gibt es, um das Leben von Haustieren und ihren Besitzern endlos besser zu machen. Als führende Innovatoren in den Bereichen Haustiertechnologie und raffiniertes Haustierzubehör arbeiten wir unermüdlich daran, Probleme zu lösen und intelligentere Erkenntnisse für Haustierbesitzer zu liefern und gleichzeitig das Leben von Haustieren zu bereichern.

Genießen Sie Ihren Litter-Robot und genießen Sie ein besseres Leben mit Ihrem Haustier!

Jacob

Präsident und
Geschäftsführer

Brad

Gründer & Chef-Erfinder



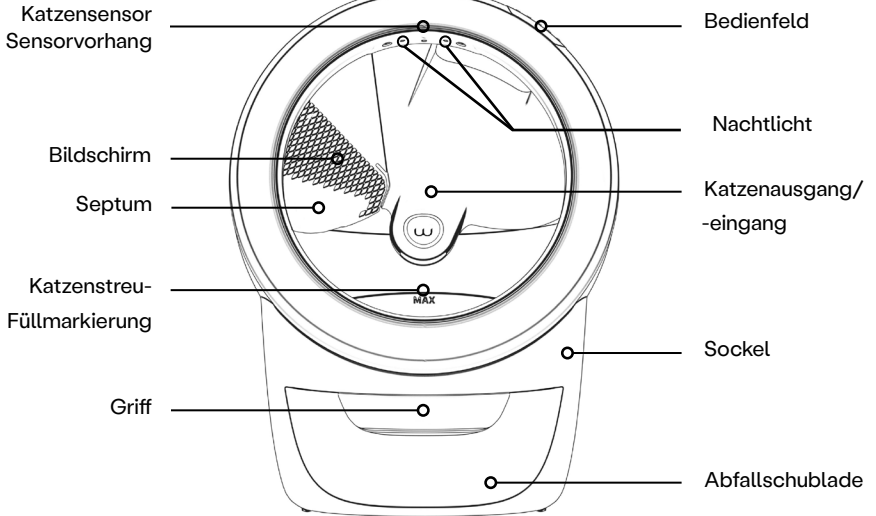
Wichtige Sicherheitsanweisungen

- Achten Sie **immer** darauf, dass jede Katze in Ihrem Haushalt, die den Litter-Robot verwenden könnte, mindestens 1,36 kg wiegt. Katzen müssen mindestens 1,36kg wiegen, um den Litter-Robot sicher im Automatikbetrieb verwenden zu können.
- **Stellen Sie den Litter-Robot** immer auf eine feste, ebene Oberfläche. Vermeiden Sie weiche, unebene oder instabile Böden. Diese beeinträchtigen möglicherweise die Fähigkeit des Geräts, Ihre Katze zu erkennen. Wenn Sie Auffangmatten oder -teppiche verwenden, legen Sie diese vor das Gerät oder vollständig darunter. Legen Sie die Matten nicht nur teilweise unter das Gerät. Verwenden Sie nur Niederflor-Teppiche und -Matten (6mm).
- Trennen Sie das Gerät vor **Wartungsarbeiten immer** von der Spannungsversorgung.
- Bringen Sie Ihre Katze **niemals** gewaltsam in den Litter-Robot.
- **Legen Sie im Gerät** niemals etwas anderes als klumpenbildendes Katzenstreu, Streuperlen oder Streukristalle aus. Diese müssen fein genug sein, um durch das Sieb zu fallen.
- Setzen Sie sich **niemals** auf den Litter-Robot und legen Sie nichts darauf.
- **Schieben Sie den Litter-Robot** niemals gegen eine Wand oder in eine Ecke (darf für genaue Gewichtsmessungen keine Wände berühren).
- **Niemals** die Haube oder den Sockel durchnässen oder in Flüssigkeiten eintauchen.
- Lassen Sie Kinder, Personen mit verringerten physischen, sensorischen oder mentalen Fähigkeiten oder Personen ohne Erfahrung und Wissen den Litter-Robot **niemals** ohne Aufsicht oder Einweisung zur sicheren Verwendung und Verständnis der damit verbundenen Gefahren verwenden, reinigen oder warten. Kinder unter 8 Jahren sollten vom Litter-Robot ferngehalten werden.
- Lassen Sie **niemals** Kinder oder andere Personen mit dem Litter-Robot spielen.
- Verwenden Sie **niemals** ein anderes externes Netzteil als das dem Gerät beiliegende.
- Wenn das externe Netzteil beschädigt ist, fragen Sie uns bitte nach Ersatz.

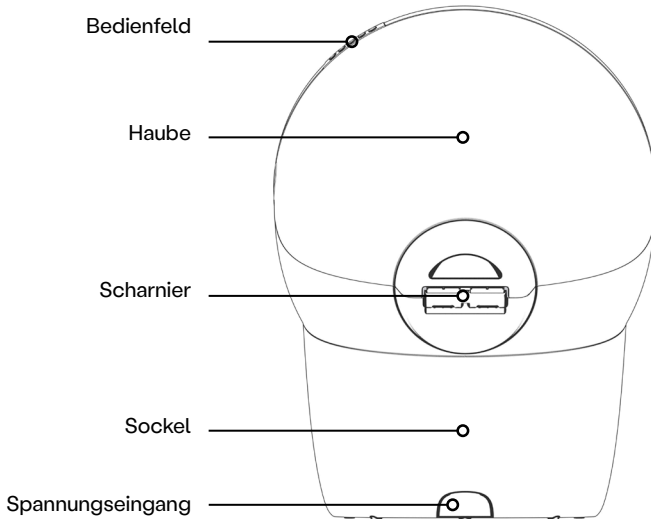
Inhaltsverzeichnis

Wichtige Sicherheitsanweisungen.....	5
Bestandteile und Abmessungen.....	8
Einrichten Ihres Litter-Robot.....	12
Gewöhnung Ihrer Katze an den Litter-Robot.....	14
Regelmäßige Wartung.....	15
Zyklen.....	16
Bedienfeld - Tastenfunktionen.....	18
Power-Taste.....	18
Cycle-Taste.....	18
Reset-Taste.....	19
Empty-Taste.....	19
Connect-Taste.....	19
Bedienfeld - Lichtleiste.....	20
Sensoren und Funktionen.....	21
Katzenpräsenz.....	22
Anzeige "Drawer Full" („Schublade voll").....	22
Füllstand.....	23
Automatisches Nachtlicht.....	23
Ruhemodus.....	24
Einstellung der Wartezeit.....	24
Bedienfeldsperre.....	25
Whisker-App.....	26
Sicherheitsfunktionen.....	27
Gebrauch und Pflege.....	29
Häufig gestellte Fragen.....	34
In-Home-Testen.....	37
Kontakt zum Kundendienst.....	37

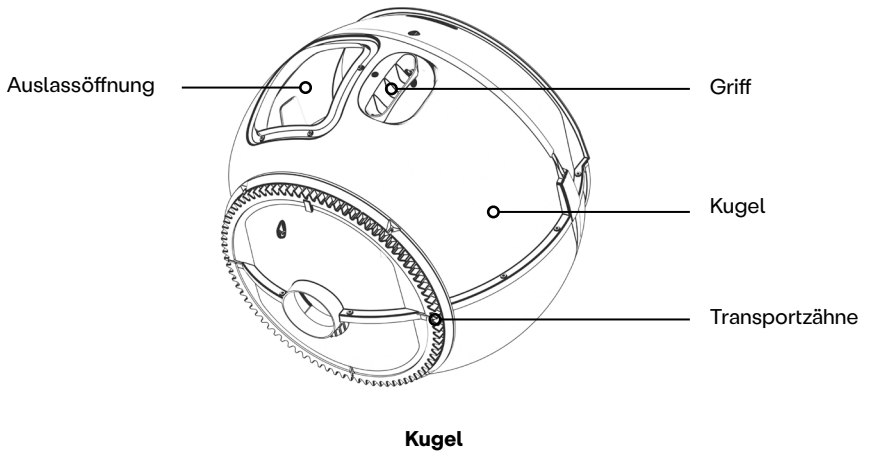
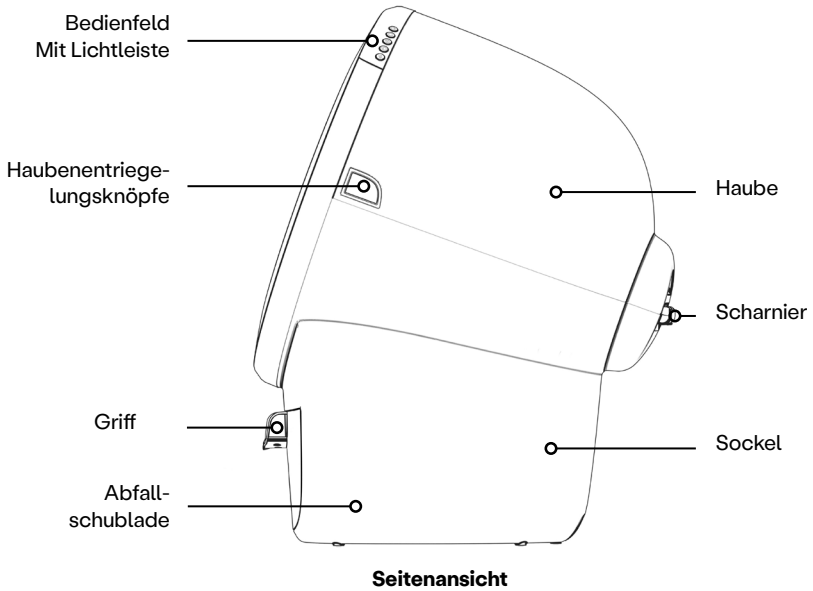
Bestandteile

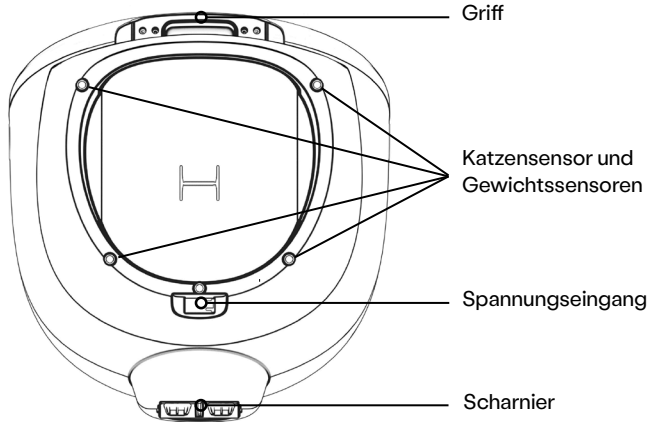


Frontansicht



Rückansicht



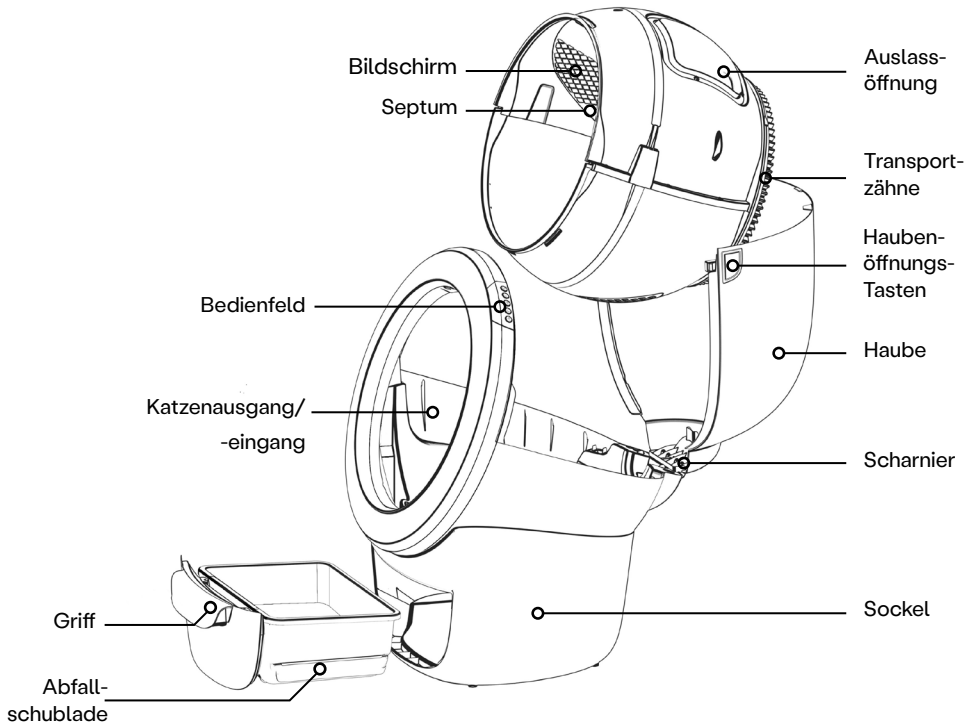


Unterseite

Abmessungen

	Höhe	Breite	x	Tiefe	Gewicht
Vollständig montiert	75cm	x 56cm	x	68,6cm	10,9kg
Abfallschublade	14cm	x 34,3cm	x	23,5cm	
Eingang	40cm	x 40cm			
Innenseite der Kugel	40..43cm Abhängig vom Einstreufüllstand	x 48,3cm	x	45,7cm	
Streuschale		35,5cm	x	35,5cm	
Boden bis Trittstufe (optional)	17,5cm				
Trittstufe (optional) bis Eingang	11,4cm				
Boden bis Eingang	30,5cm				

Hinweis: Die Abbildungen zeigen den Standardgriff an der Abfallschublade. Eine optionale Trittstufe und eine Stufenmatte sind für einen einfacheren Einstieg erhältlich.



Ausgeklappte Ansicht

Einrichten Ihres Litter-Robot

Ihr Litter-Robot wird vollständig montiert und betriebsbereit geliefert. Beginnen Sie, indem Sie die ersten Schritte der folgenden Liste befolgen.

Aufstellen

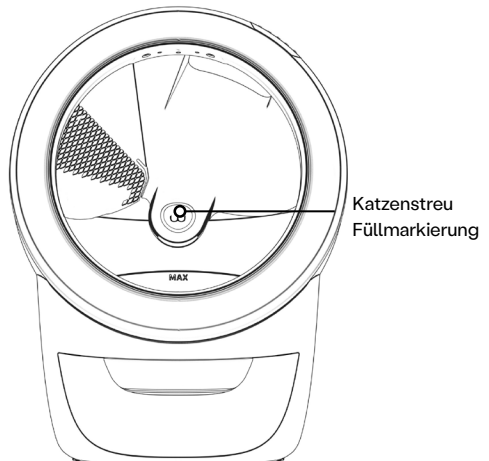
- ❑ Stellen Sie den Litter-Robot möglichst an den gleichen Ort wie die alte Katzentoilette (zumindest während der Übergangsphase).
- ❑ Achten Sie darauf, dass das Gerät auf einer festen, ebenen Oberfläche steht. Vermeiden Sie weiche, unebene oder instabile Böden.
- ❑ Positionieren Sie das Gerät im Innenbereich an einem kühlen, trockenen Ort. Setzen Sie das Gerät möglichst keinen hohen Temperaturen oder hoher Luftfeuchtigkeit aus. Wenn möglich, vor direkter Sonneneinstrahlung schützen.
- ❑ Platzieren Sie das Gerät in der Nähe einer Steckdose. Achten Sie darauf, dass das Gerät nicht gegen eine Wand oder in eine Ecke gedrückt wird. Das Gerät darf keine Wände berühren.
- ❑ Legen Sie Auffangmatten oder -teppiche entweder vor das Gerät oder vollständig darunter. Legen Sie die Matten nicht nur teilweise unter das Gerät. Verwenden Sie unter dem Gerät nur 6mm-Teppiche und Matten mit niedrigem Flor.

Verwenden Sie **KEIN** Katzenstreu aus lediglich aufsaugenden, nicht klumpenbildenden, lose Klumpen bildenden, auf Zeitungspapier basierenden oder holzbasierten Pellets.

Katzenstreu

Befüllen Sie die Kugel durch die kreisförmige Öffnung mit **klumpendem Streu**, bis es komplett die **MAX-Fülllinie** erreicht, – ungefähr 3,6..4,5 kg nach Gewicht oder 4l nach Volumen. Achten Sie darauf, dass Sie die Kugel nicht überfüllen.

Das Siebssystem des Litter-Robot funktioniert nur mit klumpenbildendem Katzenstreu ordnungsgemäß. Wir empfehlen ein hochwertiges klumpenbildendes Katzenstreu auf Kalkbasis. Streuperlen und -kristalle, die klein genug sind, dass sie durch das Sieb fallen, funktionieren ebenfalls (ein regelmäßiges Auswechseln dieser Art von Streu ist erforderlich).



Wenn sie ein alternatives Katzenstreu verwenden, das hier nicht aufgeführt ist, wenden Sie sich bitte an den Kundendienst, um sicherzugehen, dass Sie ein kompatibles Katzenstreu verwenden.

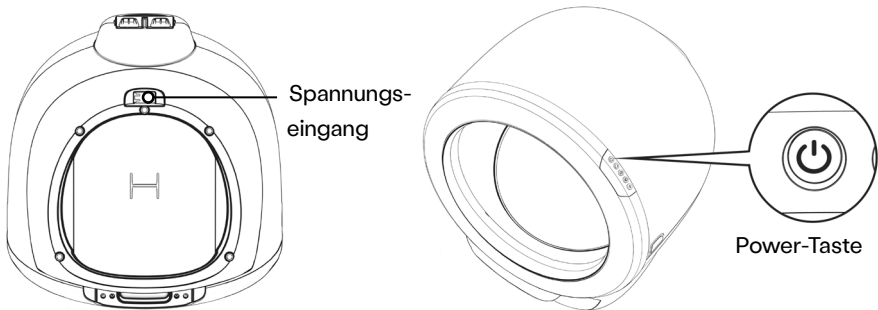
Tipp: Wenn Sie den Litter-Robot zum ersten Mal befüllen, verwenden Sie am besten weiterhin die Katzenstreuemarke, die Sie bereits zuvor verwendet haben - solange es sich um klumpenbildendes Katzenstreu handelt. Ihre Katze muss sich zunächst an die neue Katzentoilette gewöhnen. Gleichzeitig ein neues Katzenstreu einzuführen, kann sie zusätzlich irritieren. Sollten Sie jedoch aktuell ein nicht klumpendes Katzenstreu verwenden, müssen Sie auf ein klumpenbildendes umsteigen.

Einschalten und erster Reinigungszyklus

Stecken Sie das kleine Ende des Netzteils in den Spannungseingang auf der Rückseite der Basis. Stecken Sie dann den Adapter in eine Wandsteckdose.

Drücken Sie die Power-Taste. Der Litter-Robot führt einen ersten Reinigungszyklus durch. Dieser dauert ungefähr 2 Minuten. Auf Seite 16 erfahren Sie mehr über den Reinigungszyklus.

Hinweis: Der Gewichtssensor wird für den Start des ersten Reinigungszyklus deaktiviert, um sicherzustellen, dass die Gewichtssensoren ordnungsgemäß auf Null gestellt werden, sobald die Kugel die Ausgangsposition erreicht.



Herzlichen Glückwunsch!

Ihr Litter-Robot ist nun einsatzbereit. Wir empfehlen Ihnen jedoch, das Gerät abgeschaltet zu lassen, bis Ihre Katze sich daran gewöhnt hat und beginnt, den Litter-Robot zu benutzen.

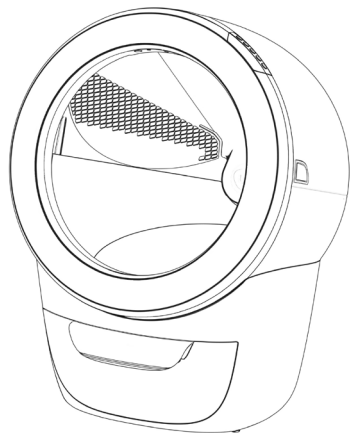
Gewöhnung Ihrer Katze an den Litter-Robot

Ihre Katze wird sich wahrscheinlich schnell an den Litter-Robot gewöhnen. Mithilfe der folgenden Tipps können Sie die Umstellung erleichtern:

1. Stellen Sie den Litter-Robot an die gleiche Stelle wie die aktuelle Katzentoilette, richten Sie ihn ein (sorgen Sie dafür, dass die Kugel mit Katzenstreu gefüllt ist) und achten Sie darauf, dass er abgeschaltet ist. Geben Sie Ihrer Katze einen oder zwei Tage, um den Litter-Robot zu erkunden. Sollten Ihre Katzen kein Interesse zeigen, locken Sie die Tiere mit etwas Katzenminze oder ihren liebsten Leckerlis an.
2. Füllen Sie eine Schaufel voll Katzenstreu aus der alten Katzentoilette ein, damit die Katze ihren Geruch erkennt.
3. Legen Sie Leckerli auf die Trittstufe oder um den Litter-Robot herum, damit Ihre Katze das Gerät mit Belohnungen verbindet.
4. Sobald Sie bemerken, dass Ihre Katzen sich an den Litter-Robot gewöhnt haben, schalten Sie das Gerät ein und lassen Sie einen Zyklus durchlaufen. Ermutigen Sie Ihre Katzen, anwesend zu sein, damit sie die Bewegung beobachten und sich an das Geräusch des Litter-Robot gewöhnen können. Bleiben Sie währenddessen bei Ihren Katzen, um sie zu beruhigen. Schalten Sie das Gerät wieder aus, sobald ein Zyklus abgeschlossen ist (der Litter-Robot sollte sich in der Ausgangsposition befinden). Wir empfehlen, dass Sie die alte Katzentoilette nicht mehr reinigen, sobald Ihre Katzen begonnen haben, den Litter-Robot zu verwenden.
5. Sollten Ihre Katzen nicht innerhalb weniger Tage beginnen, den Litter-Robot zu benutzen, verwenden Sie weiterhin die alte Katzenstreu in der alten Katzentoilette und reinigen Sie diese so selten wie möglich. Katzen mögen saubere Toiletten, die fehlende Reinigung könnte sie also davon überzeugen, den sauberen Litter-Robot zu verwenden. Bedenken Sie auch die Möglichkeit, das Katzenstreu im Litter-Robot durch ein Streu zu ersetzen, das speziell für das Toilettentraining entwickelt wurde.

Sobald Ihre Katzen den Litter-Robot dauerhaft verwenden, können Sie das Gerät einschalten und im Automatikmodus betreiben und die alte Katzentoilette entfernen.

Herzlichen Glückwunsch, Sie haben Ihre Katzen erfolgreich an den Litter-Robot gewöhnt. Genießen Sie die Freiheit ohne Schaufel!

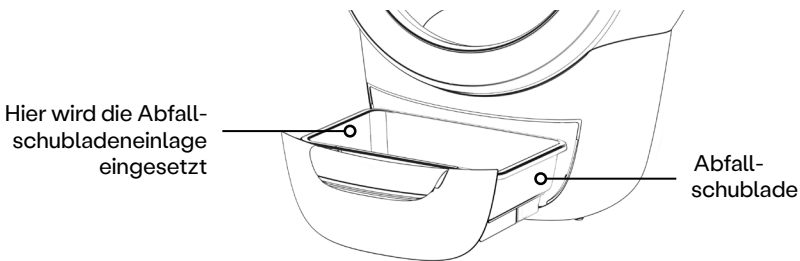


Regelmäßige Wartung

Leeren Sie die Abfallschublade, wenn dies durch die blau blinkende Lichtleiste auf dem Bedienfeld angezeigt wird. Wie oft eine Leerung der Abfallschublade notwendig ist, hängt von der Anzahl und der Größe Ihrer Katzen ab. Bei zwei durchschnittlich großen Katzen ist eine Leerung üblicherweise zweimal wöchentlich erforderlich. Bei einer Einzelkatze ist normalerweise eine Leerung pro Woche ausreichend.

Ziehen Sie die Abfallschublade heraus, fassen Sie die Ränder des Beutels zusammen und entsorgen Sie ihn. Sie können für Litter-Robots passgenaue Abfallschubladeneinsätze oder beliebige 37- bis 49-Liter-Müllbeutel verwenden.

Öffnen Sie zum Einsetzen einer neuen Abfallschubladen-Auskleidung den Beutel und klappen Sie die Öffnung über den Rand des Abfallschubladen-Flansches. Schieben Sie den Rest des Beutels in den Boden der Abfallschublade. Schieben Sie die Schublade wieder ein. Achten Sie darauf, das Gerät nicht gegen eine Wand oder in eine Ecke zu schieben. Für eine zuverlässige Gewichtserkennung darf das Gerät keine Wand berühren. Drücken Sie die Reset-Taste, um die Gewichtssensoren auf Null zu setzen.



Füllen Sie nach Bedarf Katzenstreu ein.

Prüfen Sie den Füllstand des Streus einmal pro Woche oder jedes Mal, wenn Sie die Abfallschublade leeren. Füllen Sie gerade genug Streu nach, dass sie die MAX-Markierung im Inneren der Kugel erreicht. Füllen Sie nicht zu viel Streu ein. Nachdem Sie Streu nachgefüllt oder entfernt haben, drücken Sie die Reset-Taste, um den Gewichtssensor zurückzusetzen.

Drücken Sie die Reset-Taste.

Drücken Sie jedes Mal, wenn Sie das Gewicht oder die Position des Geräts verändern (also beispielsweise nach dem Leeren der Abfallschublade, dem Hinzufügen oder Entfernen von Katzenstreu oder nach dem Reinigen oder Bewegen des Geräts) die Reset-Taste, um zu gewährleisten, dass der Gewichtssensor Ihre Katze erkennt und der Zyklus ordnungsgemäß durchgeführt wird.

Im Abschnitt Verwendung und Pflege auf Seite 29 lernen Sie den Aktivkohlefilter, die Dichtstreifen am Sockel und die Schubladeneinlagen kennen und erfahren, wie Sie den Litter-Robot reinigen.

Reinigungszyklus

Nachdem Ihre Katze die Kugel verlassen hat, führt der Litter-Robot automatisch einen Reinigungszyklus durch. Das patentierte Siebssystem trennt die Klumpen vom sauberen Streu und entsorgt sie in die Abfallschublade darunter. Der Reinigungszyklus dauert 2 Minuten. Sie können einen Reinigungszyklus auch mit einem Druck auf die Cycle-Taste starten.

Drücken Sie während des Reinigungszyklus auf eine beliebige Taste, um den Zyklus zu pausieren. Durch Betätigen der Cycle-Taste können Sie den Zyklus fortsetzen. Drücken Sie die Reset-Taste oder die Empty-Taste, um den Zyklus abzubrechen und die Kugel in ihre Ausgangsposition zurückzustellen.

Funktionsweise:

Der Litter-Robot ist betriebsbereit, wenn die Kugel sich in der Ausgangsposition befindet und die blaue Lichtleiste auf dem Bedienfeld aktiv ist.

1. Wenn eine Katze die Kugel betritt, werden die Gewichtssensoren aktiviert. Die Lichtleiste wechselt von blau zu rot.
2. Sobald die Katze die Kugel verlässt, beginnt der Countdown für einen Reinigungszyklus. Wenn die Wartezeit (siehe Seite 24) abgelaufen ist, wird die rote Lichtleiste gelb und rund und zeigt so die Drehung der Kugel im Gegenuhrzeigersinn für den Reinigungszyklus an.
3. Während die Drehung gegen den Uhrzeigersinn fortgesetzt wird, passiert sauberes Streu das staubarme Sieb, während Streuklumpen vom sauberen Streu getrennt werden. Das saubere Streu wird hinter dem Septum gesammelt.
4. Während der Drehung und während die Kugel auf dem Kopf steht, bewirkt ein integriertes Gewicht im Boden der flexiblen Kugelauskleidung, dass die Auskleidung von der Kugel abfällt, um sicherzustellen, dass festsitzende Klumpen entfernt werden.
5. Die Kugel dreht sich weiter in die Auslassposition und die Fäkalienklumpen fallen durch den Entsorgungsschacht in die Abfallschublade.
6. Die Kugel stoppt dann an der Auslassposition und beginnt, sich im Uhrzeigersinn zurück in Richtung der Home-Position zu drehen. Die flexible Kugeleinlage fällt wieder an ihren Platz und sauberes Streu fällt zurück auf den Boden der Kugel.
7. Die Kugel dreht sich über die Ausgangsposition hinaus, um das Katzenstreu einzuebnen, bevor sie endgültig in die Ausgangsposition zurückkehrt. Die fortlaufende gelbe Lichtleiste wird blau und zeigt damit an, dass das Gerät für den nächsten Einsatz bereit ist.

Wenn Ihre Katze die Kugel während des Wartezeit-Countdowns erneut betritt (rote Lichtleiste ist aktiv), erkennt der Katzensensor das Gewicht und startet den Zyklus nicht, solange Ihre Katze sich in der Kugel befindet (siehe Seite 21). Sobald Ihre Katze die Kugel verlässt, startet ein neuer Countdown.

Leerzyklus

Mithilfe des Leerzyklus können Sie für eine einfache Entsorgung das gesamte Katzenstreu aus der Kugel in die Abfallschublade leeren. Verwenden Sie diesen Zyklus, um das gesamte Einstreubett auszutauschen oder bevor Sie die Kugel reinigen (siehe Seite 31).

Drücken Sie die Empty-Taste, um einen Leerzyklus zu starten, während die Kugel sich in der Ausgangsposition befindet und die Lichtleiste blau leuchtet.

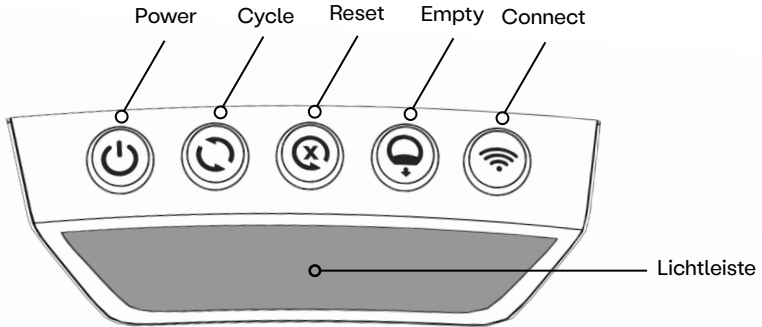
Drücken Sie während eines Leerzyklus die Taste „Cycle“, „Reset“, „Empty“ oder „Connect“, um den Zyklus zu pausieren. Durch Betätigen der Cycle-Taste können Sie den Zyklus fortsetzen. Drücken Sie die Reset-Taste, um den Zyklus abzubrechen und die Kugel in ihre Ausgangsposition zurückzustellen.

Funktionsweise:

1. Beim Drücken der Empty-Taste dreht die Kugel sich im Uhrzeigersinn, wobei die fortlaufende gelbe Lichtleiste die Drehrichtung anzeigt.
2. Während die Kugel im Uhrzeigersinn rotiert, fällt das Katzenstreu durch den Entsorgungsschacht in die Abfallschublade.
3. Nachdem das Katzenstreu entsorgt wurde, stoppt die Kugel. Die gelbe Lichtleiste ist aktiv und das Gerät wartet auf Ihre Eingabe. (Sie möchten möglicherweise verbleibendes Katzenstreu noch in den Entsorgungsschacht kehren.)
4. Drücken Sie die Cycle- oder die Reset-Taste. Die Kugel dreht sich zurück in die Ausgangsposition.

WICHTIG: Beaufsichtigen Sie Ihre Katze und verhindern Sie, dass sie die Kugel während des Entleerungszyklus betritt.

Bedienfeld - Tastenfunktionen



Power-Taste

Drücken Sie die Power-Taste, um das Gerät ein- oder auszuschalten. Beim Einschalten des Geräts blinkt die Lichtleiste weiß, dann führt das Gerät einen Reinigungszyklus mit einer fortlaufenden gelben Lichtleiste durch, die die Drehrichtung anzeigt.

Wenn das Gerät eingeschaltet ist, wird es durch 3-sekündiges Drücken der Power-Taste ausgeschaltet.



Cycle-Taste + (8-Stunden-Ruhemodus)

Drücken Sie die Cycle-Taste, um einen Reinigungszyklus zu starten (siehe Seite 16). Drücken Sie die Cycle-Taste erneut, um den Zyklus zu pausieren bzw. fortzusetzen.

Durch 3-sekündiges Drücken wird der standardmäßige 8-Stunden-Ruhemodus aktiviert (siehe Seite 24). Die Lichtleiste wechselt zu Lila und zeigt damit an, dass der Ruhemodus für die nächsten 8 Stunden aktiviert ist. Um diesen Modus zu verlassen, halten Sie die Cycle-Taste 3 Sekunden lang gedrückt. Die Lichtleiste wird blau und zeigt damit an, dass der Modus deaktiviert wurde.



Reset + (Automatisches Nachtlicht)

Drücken Sie die Reset-Taste, während die Kugel sich in der Ausgangsposition befindet und die Lichtleiste blau ist, um den/die Katzensensor(en) zurückzusetzen. Wird die Taste während eines Zyklus gedrückt, so wird dieser pausiert. Drücken Sie die Taste bei pausiertem Zyklus, so wird dieser abgebrochen. Wenn die Taste gedrückt wird, während die Lichtleiste rot ist, wird die Wartezeit des Katzensensors abgebrochen und das Gerät kehrt in den Bereitschaftsmodus zurück (Lichtleiste zeigt blau).

Durch 3-sekündiges Drücken wird der automatische Nachtlichtmodus aktiviert oder deaktiviert (siehe Seite 23).



Empty-Taste + (Einstellung der Wartezeit)

Drücken Sie die Empty-Taste, während die Kugel sich in der Ausgangsposition befindet und die Lichtleiste blau zeigt, um einen Leerzyklus zu starten (siehe Seite 17). Wenn sie während eines Reinigungszyklus oder Leerzyklus gedrückt wird, wird der Zyklus pausiert. Durch Drücken der Empty-Taste während eines pausierten Zyklus wird der Zyklus abgebrochen und die Kugel fährt zurück in die Ausgangsposition.

Durch 3-sekündiges Drücken wird der Wartezeit-Einstellmodus aktiviert oder deaktiviert (siehe Seite 24).



Connect-Taste

Drücken Sie die Connect-Taste, um WLAN ein- oder auszuschalten.

1. Ausgeschaltetes WLAN wird durch ein weißes Licht neben der Connect-Taste angezeigt.
2. Eingeschaltetes und verbundenes WLAN wird durch ein blaues Blinken neben der Connect-Taste angezeigt.
3. Eingeschaltetes und verbundenes WLAN wird außer durch die blaue Lichtleiste durch ein durchgehend blaues Licht neben der Connect-Taste angezeigt.

Durch 3-sekündiges Drücken wird der Verbindungsmodus gestartet, was durch ein blinkendes gelbes Licht neben der Connect-Taste angezeigt wird. Drücken Sie die Taste kurz, um den Verbindungsmodus zu beenden.

Bedienfeld - Lichtleiste

Blaue Lichtleiste: Bereit-Modus.

Lichtleiste blinkt blau: Abfallschublade ist voll (siehe Seite 22).

WLAN-Lichtstatus: (siehe Seite 26).

- Blau: WLAN ist verbunden.
- Weiß: WLAN ist deaktiviert.
- Blinkt blau: WLAN ist getrennt oder verbindet sich neu.
- Blinkt gelb: Das Gerät befindet sich im Verbindungsmodus.

Gelbe Lichtleiste: Das Gerät wurde während eines Zyklus pausiert.

Lichtleiste blinkt gelb: Haube wurde entfernt. 5 Sekunden, nachdem die Haube wieder aufgesetzt wurde, führt das Gerät die letzte Aktion fort (siehe Seite 27).

Gelbe kreisende Lichtleiste: Das Gerät führt einen Reinigungs- oder Entleerungszyklus durch (siehe Seite 16).

Gelbe springende Lichtleiste: Zyklus wurde durch die Einklemmschutzfunktion unterbrochen (siehe Seite 28).

Rote Lichtleiste: Katze erkannt, Wartezeit-Countdown gestartet

Lichtleiste blinkt rot: Katze wurde für über 30 Minuten im Gerät erkannt.

Rote springende Lichtleiste: Bewegung in der Schublade erkannt (siehe Seite 27).

Lila Lichtleiste: Ruhemodus aktiviert, Gerät befindet sich innerhalb der angegebenen Ruhezeit.

Lichtleiste leuchtet kurz weiß auf - Das Gerät befindet sich im Bedienfeld-Sperrmodus (siehe Seite 25).

Rote Lichtleiste mit teilweise gelbem Blinken: Motor hat Hindernis oder Blockierung erkannt.

Rote Lichtleiste mit teilweise weißem Blinken: Kugelposition kann nicht erkannt werden. Das Gerät arbeitet weiterhin im Automatikmodus. Bitte wenden Sie sich an den Kundendienst.

Sensoren und Funktionen des Litter-Robot

Katzensensor - Vorhangsensor

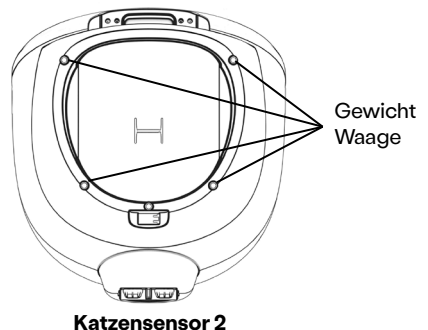
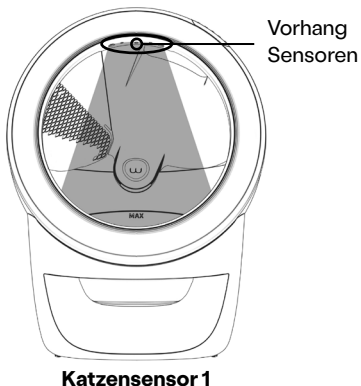
Der Litter-Robot ist mit Vorhangsensoren ausgestattet, die nach unten über die Öffnung der Einheit und in die Kugel schauen und erkennen, wenn eine Katze die Kugel betritt oder verlässt, während diese sich in der Ausgangsposition befindet. Wenn während eines Zyklus ein Vorhangsensor aktiviert wird, stoppt die Kugel. Nach 15 Sekunden ohne weitere Aktivierung wird die Kugeldrehung fortgesetzt. Wenn Ihr Gerät nicht läuft, überprüfen Sie bitte die Blende auf Fremdkörper (Katzenfell, Staub usw.), die die Vorhangsensoren stören könnten. Zur Fehlerbehebung wischen Sie bitte die Öffnungen des Blenden- und Vorhangsensors mit einem trockenen Tuch ab.

Katzensensor – Waage

Der Litter-Robot ist mit Gewichtssensoren ausgestattet, die sich an der Basis der Einheit befinden und dazu dienen, die Katze in der Kugel in der Ausgangsposition weiterhin zu erkennen und zu wiegen. Wenn während eines Zyklus zusätzliches Gewicht festgestellt wird, stoppt die Kugel. 15 Sekunden, nachdem das zusätzliche Gewicht sie verlassen hat, rotiert die Kugel weiter.

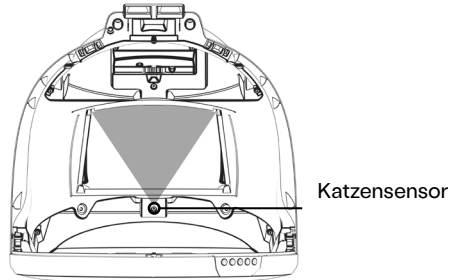
Beachten Sie, dass jedes Mal, wenn das Gerät eingeschaltet wird oder nach Abschluss eines Reinigungszyklus die Gewichtssensoren das Gerät zu Kalibrierungszwecken wiegen. Die Waage kann jederzeit durch Drücken der Reset-Taste „auf Null“ kalibriert werden.

Drücken Sie die Reset-Taste, um die Waage auf Null zu stellen, nachdem Sie irgendetwas getan haben, das sich auf das Gewicht des Geräts auswirkt. Drücken Sie kurz und fest auf die Reset-Taste und achten Sie anschließend auf das blaue Blinken der Lichtleiste als Bestätigung, dass Sie den Katzensensor zurückgesetzt haben. Achten Sie darauf, sich nicht auf dem Gerät abzustützen, während Sie die Taste drücken. Ansonsten beeinflusst dies den Messwert. Für beste Genauigkeit der Waage sollte das Gerät auf einer harten, ebenen Oberfläche aufgestellt werden. Bei Aufstellung auf Teppichboden wird die Genauigkeit der Waage verringert.



Katzensensor

Der Litter-Robot ist mit einem Bewegungssensor ausgestattet, der die Abfallschublade überwacht. Wenn der Bewegungssensor eine Bewegung innerhalb der Abfallschublade erkennt, während er sich in der Ausgangsposition befindet, dreht das Gerät die Kugel in eine Position, sodass der Entsorgungsschacht ein Verlassen der Abfallschublade ermöglicht.



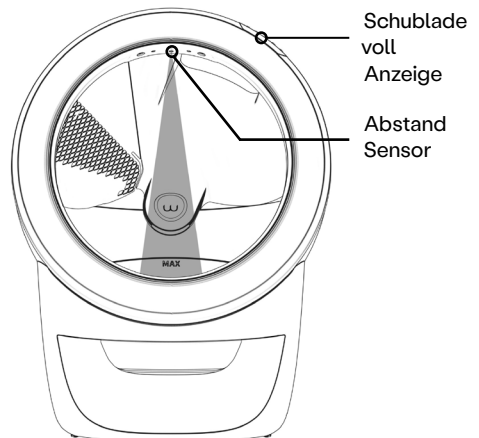
Anzeige Schublade voll (DFI)

Der Litter-Robot ist mit einem Abstandssensor ausgestattet, der von der Oberseite der Einheit nach unten blickt und zur Erkennung des Füllgrades der Abfallschublade verwendet wird. Während jedes Reinigungszyklus misst der DFI-Sensor die Abfallmenge in der Abfallschublade, wenn der Entsorgungsschacht über die Abfallschublade geführt wird.

Wenn die Abfallschublade voll ist, blinkt die Lichtleiste blau.

- Bei der ersten und der zweiten Aktivierung des DFI blinkt die Lichtleiste blau und der/die Katzensensor(en) bleibt/bleiben aktiv.
- Bei der dritten Aktivierung des DFI wird/werden der/die Katzensensor(en) deaktiviert und das Gerät schaltet nicht mehr automatisch ein.

Prüfen oder leeren Sie die Abfallschublade. Drücken Sie anschließend die Reset-Taste, um die Anzeige zu deaktivieren. Drücken Sie erneut Reset, um die Waage auf Null zu stellen. Beachten Sie, dass die Waage sich auch nach jedem Reinigungszyklus automatisch auf Null stellt.



Streufüllstand

Zusätzlich wird der Abstandssensor verwendet, um den Streufüllstand innerhalb des Geräts zu erkennen. Wenn das Gerät mit der Whisker-App verbunden ist (siehe Seite 26), sendet es eine Benachrichtigung, wenn der Streufüllstand über oder unter einem bestimmten Schwellenwert liegt.

Automatisches Nachtlicht

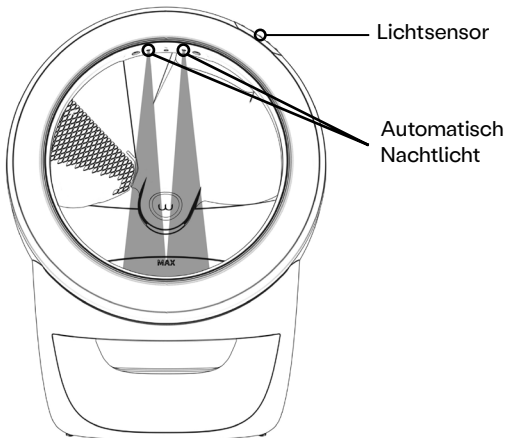
Obwohl Katzen hervorragend sehen können, lässt ihre Fähigkeit, im Dunkeln zu sehen, möglicherweise mit dem Alter oder durch Krankheiten nach. Der Litter-Robot wird mit aktivierter Nachtlicht-Funktion ausgeliefert. Wenn der Lichtsensor im Bedienfeld schwache Lichtverhältnisse erkennt, schaltet das Nachtlicht sich automatisch ein.

Durch 3-sekündiges Drücken der Reset-Taste wird der automatische Nachtlicht-Modus gestartet oder beendet. Die Lichtleiste zeigt die aktuelle Einstellung an. Nachfolgendes kurzes Drücken der Reset-Taste schaltet durch die unten gezeigten Einstellungen. Nachdem Sie die bevorzugte Einstellung ausgewählt haben, wird die Einstellung durch 3-sekündiges Drücken der Reset-Taste gespeichert.

Immer AUS → 1 grünes Licht wird angezeigt

Immer EIN → 2 grüne Lichter werden angezeigt

Automatisch → 3 grüne Lichter werden angezeigt



Ruhemodus

In diesem Modus können Sie den Katzensensor für 8 Stunden deaktivieren, sodass das Gerät in dieser Zeit keine Zyklen automatisch ausführt. Der Ruhemodus ist bei Geräten nützlich, die in Schlafzimmern oder in Bereichen stehen, in denen Sie für einen Zeitraum von 8 Stunden vielleicht nicht möchten, dass das Gerät aktiviert wird.

Das Gerät ist mit einer standardmäßigen Ruhezeit von 8 Stunden programmiert. Der Zeitraum von 8 Stunden wird alle 24 Stunden wiederholt. Der Start wird durch den Zeitpunkt definiert, an dem der Modus erstmalig eingerichtet wird.

Durch 3-sekündiges Drücken der Cycle-Taste wird der Ruhemodus aktiviert. Der Ruhemodus wird durch eine violette Lichtleiste angezeigt. Die Lichtleiste bleibt während der Schlafphase violett und kehrt nach Ablauf der Schlafphase wieder zu blau zurück.

Während der Ruhephase erkennt das Gerät weiterhin, ob eine Katze das Gerät benutzt, führt jedoch keinen Reinigungszyklus durch. Wenn nach Ablauf der Schlafphase keine Verwendung des Geräts festgestellt wurde, wechselt das Gerät in den Bereitschaftsmodus, was durch eine blaue Lichtleiste angezeigt wird, und arbeitet für den Rest der 24 Stunden im automatischen Modus.

Wenn das Gerät eine Nutzung während der Ruhephase erkennt, wird nach Ablauf der Ruhephase ein Reinigungszyklus durchgeführt. Sobald die Kugel in die Ausgangsposition zurückgekehrt ist, wird die Lichtleiste blau und das Gerät arbeitet für den Rest der 24 Stunden im automatischen Modus.

Durch 3-sekündiges Drücken der Cycle-Taste wird der Ruhemodus deaktiviert, was dadurch angezeigt wird, dass die Lichtleiste von violett zu blau wechselt oder dass der Lichtbalken kurzzeitig violett blinkt, wenn das Gerät sich nicht in der Schlafphase befindet.

Beachten Sie, dass der Ruhemodus sich über die Whisker-App (siehe Seite 26) programmieren lässt.

Einstellung der Wartezeit

Die Wartezeit bezeichnet die Dauer, bis das Gerät einen Reinigungszyklus durchführt, nachdem eine Katze die Kugel verlassen hat. Sie kann auf 3, 7, 15, 25 oder 30 Minuten eingestellt werden. Ab Werk ist die Wartezeit auf 7 Minuten eingestellt.

Verringern Sie die Wartezeit, wenn es wichtig ist, den Geruch und/oder die Zeit zu minimieren, in welcher die Fäkalien für andere Tiere erreichbar sind - beispielsweise für Hunde. Eine Verringerung der Wartezeit kann jedoch die Effektivität der Reinigung verringern, wenn das Streu in diesem Zeitraum noch keine Klumpen bilden konnte. Wenn Sie ein Katzenstreu verwenden, das zur Klumpenbildung eine längere Zeit benötigt, verlängern Sie die Wartezeit.

Durch 3-sekündiges Drücken der Empty-Taste wird der Wartezeit-Einstellmodus aufgerufen oder verlassen. Die Lichtleiste zeigt die aktuelle Wartezeiteinstellung an. Mehrmaliges kurzes Drücken der Empty-Taste schaltet durch die unten gezeigten Einstellungen. Nachdem Sie die bevorzugte Einstellung ausgewählt haben, wird die Einstellung durch 3-sekündiges Drücken der Empty-Taste gespeichert.

- 3 Minuten → 1 grünes Licht wird angezeigt
- 7 Minuten → 2 grüne Lichter werden angezeigt
- 15 Minuten → 3 grüne Lichter werden angezeigt
- 25 Minuten → 4 grüne Lichter werden angezeigt
- 30 Minuten → 5 grüne Lichter (=alle) werden angezeigt

Bedienfeldsperre

Die Bedienfeldsperre deaktiviert die Tastenfunktionen, um ungewollte Änderungen zu verhindern. Der Litter-Robot funktioniert im Automatikmodus auch bei gesperrtem Bedienfeld ganz normal.

Durch 3-sekündiges Drücken der Cycle- und der Reset-Taste wird der Bedienfeld-Sperrmodus aktiviert oder deaktiviert. Die Lichtleiste blinkt kurzzeitig rot, um die Statusänderung zu bestätigen.

Im Bedienfeld-Sperrmodus blinkt die Lichtleiste weiß, wenn eine beliebige Taste gedrückt wird, um anzuzeigen, dass das Bedienfeld gesperrt ist.

Auch bei gesperrtem Bedienfeld können Sie das Gerät noch abschalten. Halten Sie hierzu die Power-Taste 3 Sekunden lang gedrückt.

Whisker-App

Die Whisker-App bietet anpassbare Programmieroptionen für Ihren Litter-Robot bequem von Ihrem Telefon aus. Sie können Ihren Litter-Robot überwachen und steuern, Benachrichtigungen erhalten, Einblicke in die Gesundheit Ihrer Katze erhalten, indem Sie wöchentliche und monatliche Statistiken vergleichen und vieles mehr.

Installation der Whisker-App

1. Drücken Sie die Power-Taste, um den Litter-Robot einzuschalten.
2. Laden Sie die Whisker-App aus dem App-Store oder von Google Play herunter.
3. Stellen Sie sicher, dass auf Ihrem Mobilgerät Bluetooth aktiviert ist. Scannen Sie den QR-Code, um zu Ihrem spezifischen App Store weitergeleitet zu werden.
4. Ihr Litter-Robot wird mit der Einheit im Verbindungsmodus (WiFi-LED blinkt gelb) geliefert.
 - a. Wenn Ihr Gerät sich nicht im Verbindungsmodus befindet, halten Sie die Connect-Taste 3 Sekunden lang oder bis die Verbindungs-LED gelb blinkt gedrückt.
5. Befolgen Sie die Anweisungen in der App und scannen Sie den QR-Code auf der Rückseite des Geräts wie angegeben.
6. Sobald der Litter-Robot erfolgreich mit Ihrem WLAN verbunden ist, leuchtet die Verbindungsleuchte auf der Lichtleiste des Bedienfelds durchgehend blau.
7. Wenn die Verbindung fehlschlägt, werden Sie aufgefordert, es erneut zu versuchen oder abzubrechen. Wenn Sie es erneut versuchen, wird der Vorgang erneut gestartet.
8. Wählen Sie nach erfolgreichem Verbinden auf dem Startbildschirm Ihr Gerät aus, um Ihren Litter-Robot anzuzeigen und alle Einstellungen anzupassen.



Sicherheitsfunktionen

Haube - Vollständige Abdeckung

Die Haube dient als Abdeckung und Schutz für den Entsorgungsschacht, während die Kugel sich dreht. Die Kugel dreht sich nicht, wenn die Haube nicht installiert ist (siehe Bedienfeld – Lichtleiste – gelbe Lichtleiste blinkt, Seite 20).



OmniSense-Katzenerkennungssystem

Das Katzenerkennungssystem des Litter-Robot ist eine Kombination aus optischen und Gewichtssensoren, die erkennen, dass Ihre Katze versucht, während eines Zyklus in die Einheit einzudringen. Wenn eine Katze während eines Zyklus versucht, in das Gerät einzudringen, stoppt die Kugel und die Lichtleiste leuchtet rot, was anzeigt, dass der Zyklus unterbrochen wurde. Der Zyklus wird erst 15 Sekunden, nachdem die Katze nicht mehr erkannt wurde, fortgesetzt.

Der Litter-Robot ist außerdem mit einem Bewegungssensor ausgestattet, der die Abfallschublade überwacht. Wenn eine Bewegung innerhalb der Abfallschublade erkannt wird, während die Kugel sich in der Ausgangsposition befindet, dreht das Gerät die Kugel in eine Position, sodass der Entsorgungsschacht ein Verlassen der Abfallschublade ermöglicht.

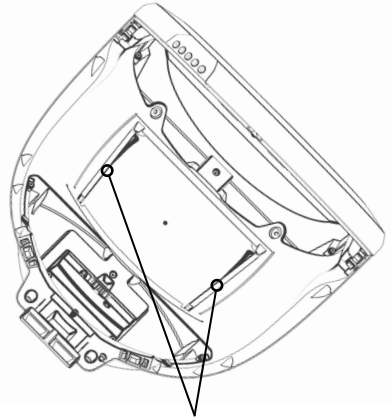
Einklemmschutz

Der Litter-Robot ist mit Einklemmschutzsensoren auf beiden Seiten des Abfallschubladenschachts ausgestattet, um die Sicherheit Ihrer Katze bei der Verwendung des Litter-Robot zu gewährleisten. Diese Sensoren überwachen jederzeit mögliche Einklemmbedingungen.

Wenn während eines Zyklus ein mögliches Einklemmen erkannt wird, stoppt die Kugel und dreht sich 5 Sekunden lang in die entgegengesetzte Richtung. Nach einer Pause von 2 Sekunden versucht das Gerät, den Zyklus fortzusetzen.

Während die Kugel sich zurückdreht, zeigt die Lichtleiste ein gelbes springendes Muster an.

Hinweis: Stellen Sie sicher, dass die zwei elektrischen Kontakte frei von überschüssigem Katzenstreu sind.



Zwei elektrische Kontakte

Überlastungserkennung

Wenn die Kugel während der Drehung blockiert oder überlastet wird, stoppt der Motor und fährt für 5 Sekunden in die entgegengesetzte Richtung. Nach einer Pause von 2 Sekunden versucht das Gerät, den Zyklus fortzusetzen.

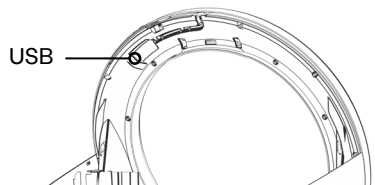
Wenn die Kugel den Zyklus nach drei Versuchen nicht fortsetzen kann, stoppt sie und die Lichtleiste zeigt einen Fehlercode mit 3 roten Lichtern und 2 blinkenden gelben Lichtern an.

Wenn die Kugel nach einem Stau oder einer Überlastung einen Reinigungszyklus abschließen kann, kehrt das Bedienfeld in den Bereitschaftsmodus zurück (Lichtleiste zeigt blau). Das Gerät arbeitet weiterhin im Automatikmodus.

Wenn die Lichtleiste eine Blockade oder Überlastung anzeigt, schalten Sie das Gerät aus und entfernen Sie die Haube und die Kugel. Prüfen Sie Zahnrad und Motor auf Blockaden. Setzen Sie das Gerät wieder zusammen und prüfen Sie den korrekten Streufüllstand. Schalten Sie das Gerät ein und lassen Sie einen Zyklus durchlaufen. Wenn das Problem weiterhin besteht, wenden Sie sich an den Kundendienst.

USB-Spannungsausgang

Der Litter-Robot ist unter der Haube auf der Rückseite der Blende mit einem USB-Spannungsausgang ausgestattet. Dieser Anschluss liefert eine elektrische 5V-Spannung (1A) für externe USB-Geräte.



Optionales Zubehör:

Notfallbatterie

Der Litter-Robot kann mit einer Notfallbatterie ausgestattet werden. Mit dieser versiegelten Batterie mit 12V (DC) und 1,3Ah bleibt das Gerät auch netzunabhängig funktionsfähig. Wenn die Spannungsversorgung des Litter-Robot unterbrochen wird, wechselt das Gerät automatisch in den Backup-Batteriemodus, was dadurch angezeigt wird, dass die Lichtleiste des Bedienfelds von vollständig blau auf ausschließlich blau blinkende LED der Power-Taste wechselt.

Hinweis: Um Energie zu sparen, wird die Nachtlichtfunktion während des Betriebs mit der Backup-Batterie deaktiviert. Die Anzeigeintensität der Lichtleiste wird um 50% reduziert und die Nachtlichtfunktion wird deaktiviert, um Energie zu sparen.

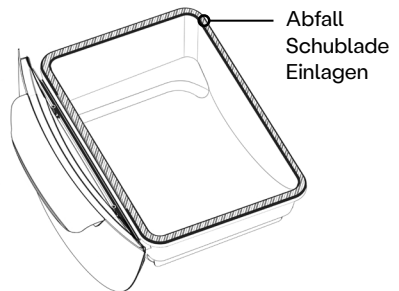
Das Batteriefach und die Anschlüsse befinden sich an der Unterseite des Sockels. Notbatterien können bei litter-robot.com bestellt werden. Hinweis: Die Verwendung von Zubehör, das nicht auf litter-robot.com, whisker.com oder einer der Websites unserer autorisierten Wiederverkäufer angeboten wird, wird von Whisker nicht genehmigt oder unterstützt. Whisker ist nicht verantwortlich für Unfälle oder Verletzungen, die durch die Verwendung von Zubehör entstehen, das nicht von Whisker stammt. Jegliche Modifikationen oder unbefugte Verwendung Ihres Litter-Robots können zum Erlöschen der Garantie führen.

Verwendung und Pflege

Einsetzen der Schubladeneinlagen

In die Schublade des Gerätes ist bereits ab Werk eine Einlage eingelegt. Diese biologisch abbaubaren Einlagen sind speziell für den Litter-Robot gefertigt, aber Sie können auch jeden beliebigen Abfallbeutel mit einem Volumen von 37..49 Litern verwenden.

1. Öffnen Sie eine neue Schubladeneinlage oder einen neuen Beutel.
2. Legen Sie die Kanten der Einlage oder des Beutels über den Flansch (Rand) der Abfallschublade.
3. Drücken Sie das Innere des Beutels an den Boden der Abfallschublade und schließen Sie diese.



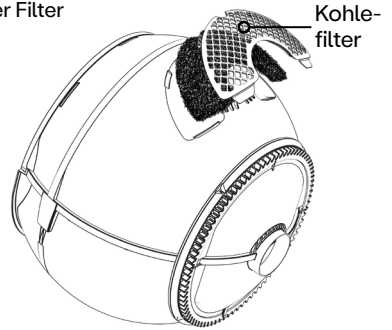
Aktivkohlefilter

Der Litter-Robot ist mit einer flexiblen Aktivkohlefiltermatte ausgestattet, die außen im unteren Bereich der Kugel eingesetzt wird. Dieser Filter sitzt direkt über der Abfallschublade und nimmt Gerüche auf.

Der Kohlefilter lässt sich leicht entfernen und installieren, indem ein Reinigungszyklus gestartet und dann die Haube geöffnet wird, wenn die Kugel sich in der Auslassposition befindet. Ersetzen Sie den Kohlefilter nach Bedarf.

Bei normaler Nutzung hält ein Filter ungefähr einen Monat. Der Aktivkohlefilter ist für die Funktion des Geräts nicht erforderlich.

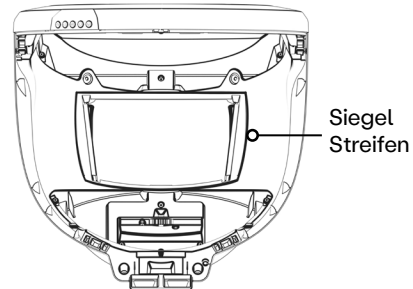
Ersatz-Kohlefilter und anderes geruchsabsorbierendes Zubehör können auf litter-robot.com bestellt werden.



Dichtstreifen am Sockel

Der Litter-Robot ist mit bürstenartigen Dichtungsstreifen auf der Ober- und der Unterseite der Basis ausgestattet. Diese Dichtungsstreifen helfen dabei, Gerüche in der Abfallschublade einzudämmen.

Wenn Sie feststellen, dass die Dichtstreifen abgenutzt sind oder sich lösen, tauschen Sie sie aus. Wenn Sie beim Auswechseln lose Kanten abschneiden, erhöhen Sie die Lebensdauer der Dichtstreifen. Achten Sie darauf, dass die Dichtstreifen nicht nass werden, wenn Sie den Sockel reinigen. Dies kann dazu führen, dass sie sich ablösen. Austausch-Dichtstreifen sind über www.litter-robot.com erhältlich.



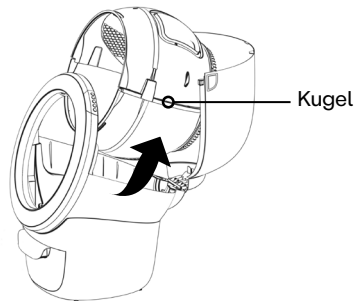
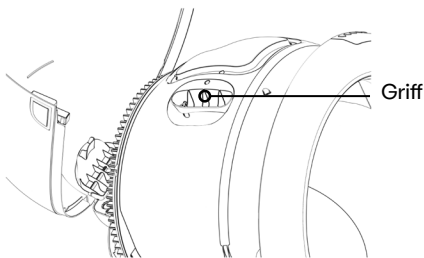
Leeren des Litter-Robot

1. Drücken Sie die Empty-Taste, damit die Kugel sich im Uhrzeigersinn dreht. So fällt das gesamte Katzenstreu für eine einfache Entsorgung durch den Entsorgungsschacht in die Abfallschublade.
2. Wenn noch Streu in der Kugel verbleibt, kehren Sie die Körner in Richtung des Entsorgungsschachts.
3. Drücken Sie eine beliebige Taste. Die Kugel dreht sich zurück in die Ausgangsposition.

WICHTIG: Behalten Sie das Gerät im Auge und verhindern Sie, dass Ihre Katze die Kugel während des Zyklus betritt, da das Gerät die Katze ohne die Katzenstreu füllung möglicherweise nicht erkennt.

Reinigung der Kugel

1. Drücken Sie die Empty-Taste, damit die Kugel sich im Uhrzeigersinn dreht. So fällt das gesamte Katzenstreu für eine einfache Entsorgung durch den Entsorgungsschacht in die Abfallschublade. Kehren Sie eventuell verbleibendes Streu in Richtung des Entsorgungsschachts. Drücken Sie dann entweder Cycle oder Reset, um die Kugel in die Ausgangsposition zurückzubringen. Vergewissern Sie sich, dass das gesamte Streu aus der Kugel entfernt wurde - nasses Katzenstreu verwandelt sich in unangenehmen Matsch.
2. Schalten Sie den Litter-Robot aus und trennen Sie die Spannungsversorgung.
3. Öffnen Sie die Haube: Halten Sie die Entriegelungsknöpfe auf beiden Seiten der Haube gedrückt, heben Sie dann die Haube an und drehen Sie sie in die Open-Position.
4. Entfernen der Kugel: Heben Sie die Kugel mit dem Griff von der Basis ab.
5. Entfernen Sie den Aktivkohlefilter.
6. Reinigen Sie die Kugel mit Litter-Robot-Reinigungsspray oder -tüchern oder mit Wasser und einer milden Seife. In der Kugel befinden sich keine elektronischen Bauteile, die durch Wasser und Seife beschädigt werden könnten. Wenn die Kugel extrem schmutzig geworden ist, können Sie diese auch einweichen und mit einem Wasserstrahl säubern.
7. Lassen Sie die Kugel vollständig trocknen, bevor Sie diese wieder in den Sockel einsetzen und die Haube aufsetzen (siehe Seite 27).

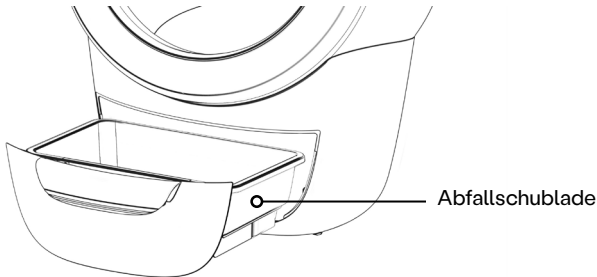


Für eine schnelle Reinigung können Sie die Innenseite und die obere Hälfte der Kugel mit einem Einweg-Reinigungstuch abwischen (ohne das Katzenstreu zu entfernen). Sie können die Kugel auch manuell in eine Position drehen, in der das Streu sich hinter dem Sieb befindet, wodurch Sie Zugang zur Oberfläche der flexiblen Kugeleinlage für punktuelle Reinigung erhalten. Der Litter-Robot ist sofort wieder einsatzbereit, da er praktisch sofort trocknet.

Litter-Robot-Reinigungsspray und -tücher können unter litter-robot.com bestellt werden.

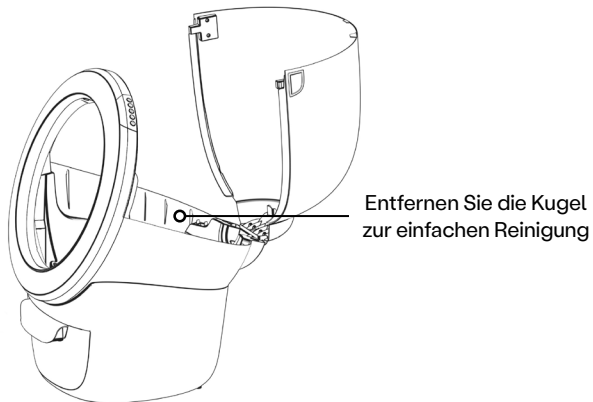
Reinigung der Abfallschublade

1. Ziehen Sie die Abfallschublade heraus.
2. Reinigen Sie die Schublade mit Litter-Robot-Reinigungsspray oder -tüchern oder mit Wasser und Seife.



Reinigung des Sockels

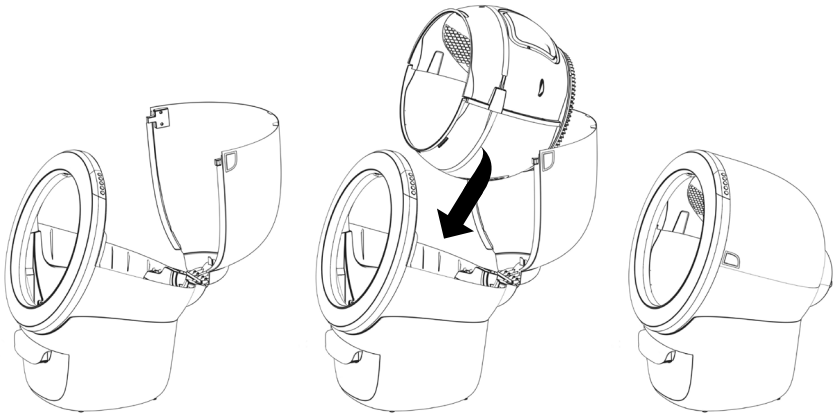
1. Tauchen, besprühen oder tränken Sie die Basis oder das Bedienfeld niemals. Das Basis- und Bedienfeld enthält Sensoren und Elektronik.
2. Wischen Sie die Oberflächen des Sockels mit einem Tuch ab, das mit Desinfektionsmittel benetzt ist. Wenn Sie ein Spray verwenden, sprühen Sie nicht auf den Sockel, sondern direkt auf ein Stoff- oder Papiertuch, damit das Desinfektionsmittel nicht in die Elektronik gelangt.
3. Verwenden Sie keine Bleichmittel.



Wiedereinsetzen der Kugel

1. Platzieren Sie die Kugel auf der Basis in der ungefähren Ausgangsposition. Halten Sie die Kugel am Griff und schieben Sie sie zurück in die Basis, um sie ungefähr in der Ausgangsposition auszurichten.
2. Stellen Sie sicher, dass die Rückseite der Kugel bündig in der hinteren Lagertasche sitzt und die Transportzähne in das Antriebszahnrad greifen.
3. Drehen Sie die Haube mit leichtem Druck auf die Seiten nach unten, sodass sie die Kugel umschließt. Dies unterstützt die korrekte Ausrichtung der Verriegelungslaschen der Haube mit den Aussparungen im Sockel. Drücken Sie von oben auf die Haube und vergewissern Sie sich, dass sie eingerastet und gesichert ist.

Hinweis: Das Gerät funktioniert nicht ohne eingesetzte Haube.



Häufig gestellte Fragen

Wird meine Katze tatsächlich das Innere der Kugel betreten?

Katzen sind von Natur aus neugierig und werden jeden neuen Gegenstand erkunden. Katzen, die bereits an eine geschlossene Katzentoilette gewöhnt sind, könnten sich schneller in die Kugel wagen.

Wir empfehlen, dass Sie den Litter-Robot am gleichen Ort aufstellen wie die alte Katzentoilette. Sie können die alte Katzentoilette für eine kurze Zeit neben den Litter-Robot stellen. Nehmen Sie eine Schaufel des Katzenstreu aus der alten Toilette und mischen Sie diese mit dem sauberen Streu im Litter-Robot. Der Geruch ist der Katze vertraut, wodurch sie zur Erkundung motiviert wird.

Sobald Ihre Katze sich hineingewagt hat und das Streu unter ihren Pfoten spürt, weiß sie, was zu tun ist.

Können auch Katzenbabys den Litter-Robot benutzen?

Wir empfehlen, dass Katzenbabys und Katzen, die 1,36kg oder weniger wiegen, den Litter-Robot nicht im unbeaufsichtigten Automatikmodus nutzen. Ihr geringes Gewicht und ihre sehr geringe Größe werden möglicherweise vom Katzensensor nicht erkannt. Bevor Katzen den Litter-Robot im Automatikmodus benutzen, sollten sie mindestens 1,36 kg wiegen.

Wir empfehlen, den Litter-Robot auszuschalten und im "halbautomatischen" Modus zu verwenden. Wenn Sie sehen, dass Ihre Katze den Litter-Robot benutzt hat, schalten Sie ihn ein. Das Gerät führt automatisch einen Reinigungszyklus durch. Sobald dieser beendet ist (nach ca. 2 Minuten), schalten sie das Gerät wieder ab. Auf diese Weise kann Ihr Katzenbaby sich schon als Jungtier sicher an den Litter-Robot gewöhnen und gleichzeitig müssen Sie in der Katzentoilette nicht schaufeln!

ACHTUNG: Lassen Sie den Litter-Robot abgeschaltet und starten Sie die Reinigungszyklen nur manuell, bis Sie sicher sind, dass alle Katzen in Ihrem Haushalt schwer genug sind, um vom Katzensensor erkannt zu werden.

Was kann ich tun, wenn meine Katze den Litter-Robot nicht benutzen möchte?

Wenn Sie und Ihre Katze nicht vollkommen zufrieden sind, geben Sie den Litter-Robot einfach innerhalb von 90 Tagen zurück und Sie erhalten den vollständigen Kaufpreis zurück. Beachten Sie bitte, dass Sie die Kosten für die Rücksendung tragen. Wenden Sie sich bitte an den Kundendienst, um eine Rückgabe-Berechtigungs(RMA)-Nummer zu beantragen. Rücksendungen ohne RMA-Nummer können wir leider nicht annehmen.

Was passiert, wenn meine Katze versucht, die Kugel zu betreten, während diese sich dreht?

Das Katzenerkennungssystem von Litter-Robot erkennt Ihre Katze, bevor sie die Kugel betritt, und stoppt den Motor. Nachdem Ihre Katze die Kugel verlassen hat, wartet der Litter-Robot 15 Sekunden, bevor er versucht, den Zyklus fortzusetzen. Siehe OmniSense-Katzenerkennungssystem auf Seite 27.

Befinden sich innerhalb der Kugel Käbme oder Drähte?

Nein, in der Kugel befinden sich keine Käbme oder Drähte, die Ihre Katze schädigen könnten oder an denen sie sich verletzen könnte. Der Litter-Robot wurde mit Schwerpunkt auf die Sicherheit Ihrer Katze entwickelt.

Sind die Elektronik oder die Stromversorgung für meine Katze gefährlich?

Nein, im Inneren der Kugel befinden sich keine elektrischen Bauteile. Der Litter-Robot wird mit einer sicheren 15V-Gleichspannung betrieben und verwendet einen Adapter, der denen ähnelt, die Sie für Ihren Radiowecker oder zum Laden Ihres Mobiltelefons verwenden.

Dreht die Kugel sich, wenn meine Katze sich darin befindet?

Nein, wenn Ihre Katze sich in der Kugel befindet, wird die Kugel sich nicht drehen. Jedes Mal, wenn eine Katze die Kugel betritt oder erneut betritt, wird der Litter-Robot-Katzensensor ausgelöst, wodurch der Countdown-Timer zurückgesetzt wird. Dies verhindert für weitere 7 Minuten, dass der Reinigungszyklus gestartet wird.

Was passiert, wenn die Kugel blockiert?

Wenn die Kugel blockiert oder eine Überlastung auftritt, erkennt das Gerät diesen Zustand mit Hilfe der Überlastungserkennung (siehe Seite 28). Zusätzlich ist der Litter-Robot mit einem Einklemmschutz ausgestattet (siehe Seite 28).

Benötigt der Litter-Robot spezielles Katzenstreu?

Nein, der Litter-Robot funktioniert mit normalem, klumpenbildendem Katzenstreu. Wir empfehlen ein hochwertiges, klumpenbildendes Katzenstreu auf Kalkbasis. Leichtes Streu wie Mais oder Weizen kann das Sieb möglicherweise nicht effektiv passieren. Manche Streukugeln aus Silicagel oder Kristallen können ebenfalls im Litter-Robot verwendet werden, solange sie durch das Sieb fallen.

Lediglich aufsaugendes, nicht klumpenbildendes oder lose Klumpen bildendes Katzenstreu sowie auf Zeitungspapier oder Holzpellets basierendes Streu können im Litter-Robot nicht verwendet werden.

Wieviel Katzenstreu nimmt der Litter-Robot auf?

Befüllen Sie die Kugel mit ungefähr 3,6..4,5kg Katzenstreu, bis bei ebener Oberfläche die MAX-Füllmarkierung auf der schwarzen Gummiauskleidung der Kugel erreicht ist. Überschüssiges Katzenstreu in der Kugel wird während der ersten Zyklen in die Abfallschublade ausgeworfen. Da die Fäkalienklumpen bei jedem Zyklus entfernt werden, ist es nicht notwendig, zusätzliches Katzenstreu in die Kugel einzufüllen.

Wie oft muss ich Katzenstreu nachfüllen?

Der Litter-Robot verwendet das Katzenstreu sehr effektiv, da das patentierte Siebdesign lediglich die Klumpen entfernt. Wir empfehlen, bei jeder Leerung der Abfallschublade den Füllstand im Verhältnis zur MAX-Füllmarkierung zu prüfen (auf der schwarzen Gummiauskleidung der Kugel). Dies ist bei einer Einzelkatze ungefähr einmal pro Woche und bei mehreren Katzen etwa zweimal pro Woche notwendig. Achten Sie darauf, dass Sie die Kugel nicht überfüllen.

Wird durch die regelmäßige Drehung der Kugel und der Bewegung des Katzenstreu Staub ein Problem?

Nein, der Litter-Robot ist mit einem staubarmen Siebdesign ausgestattet, das es ermöglicht, dass das Streu während eines Reinigungszyklus durch das Sieb zurückgesiebt wird, ohne übermäßige Staub zu erzeugen.

Wie oft muss ich die Abfallschublade leeren?

Dies hängt von der Anzahl und Größe Ihrer Katzen ab. Bei zwei durchschnittlich großen Katzen ist eine Leerung üblicherweise zweimal wöchentlich erforderlich. Bei einer Einzelkatze ist normalerweise eine Leerung pro Woche ausreichend.

Wie häufig muss ich das Innere der Kugel reinigen?

Dies hängt von Ihren persönlichen Vorlieben und dem Verhalten Ihrer Katze ab. Wir empfehlen, das Innere der Kugel alle drei Monate zu reinigen. Siehe "Verwendung und Pflege" auf Seite 29.

Wie reinige ich den Litter-Robot von außen?

Die äußere Reinigung des Litter-Robot ist einfach. Entfernen Sie zuerst die Kugel, die Haube und die Abfallschublade. Sprühen oder wischen Sie sie mit Litter-Robot-Reiniger oder mit milder Seife und Wasser ab oder bringen Sie sie zur gründlichen Reinigung mit dem Gartenschlauch nach draußen. Alle anderen Oberflächen können abgewischt werden, sollten jedoch nicht in Wasser eintauchen.

ACHTUNG: Im Sockel und in der Haube des Litter-Robot befinden sich elektrische Bauteile, die nicht in Flüssigkeiten eingetaucht werden dürfen. Siehe "Verwendung und Pflege" auf Seite 29.

90 Tage Testen zu Hause

Kaufen Sie mit dem Wissen, dass Ihre Investition durch unseren 90-Tages-Test bei Ihnen zu Hause abgesichert ist. Wenn Sie oder Ihre Katze mit Ihrem Litter-Robot nicht zufrieden sind, senden Sie ihn einfach gegen Rückerstattung des Kaufpreises zurück. Sie müssen nur die Kosten für den Rückversand tragen.

Wenn Sie Ihren Litter-Robot nicht über Whisker erworben haben, koordinieren Sie die Rückgabe bitte gemäß der Rückgaberichtlinie dieser Quelle.

Whisker-Kundendienst

Wenn Sie Fragen oder Bedenken haben oder wenn Sie Unterstützung benötigen, sprechen Sie uns an! Support per Chat ist Ihre schnellste Option, gefolgt von Telefon-Support und E-Mail. Besuchen Sie unsere Support-Website, um loszulegen und Fehler zu beheben.

Support per Chat

whiskersupport.com

Mo..Fr: 9:00 bis 17:00 Uhr EST

Sa, So: 9:30 bis 17:00 Uhr EST

Postanschrift

Whisker

522 S. Western Ave

Juneau, WI 53039, USA

E-Mail-Support

support@whisker.com

24/7

Online-Fehlerbehebung

whiskersupport.com

litter·robot[®] 4

by whisker

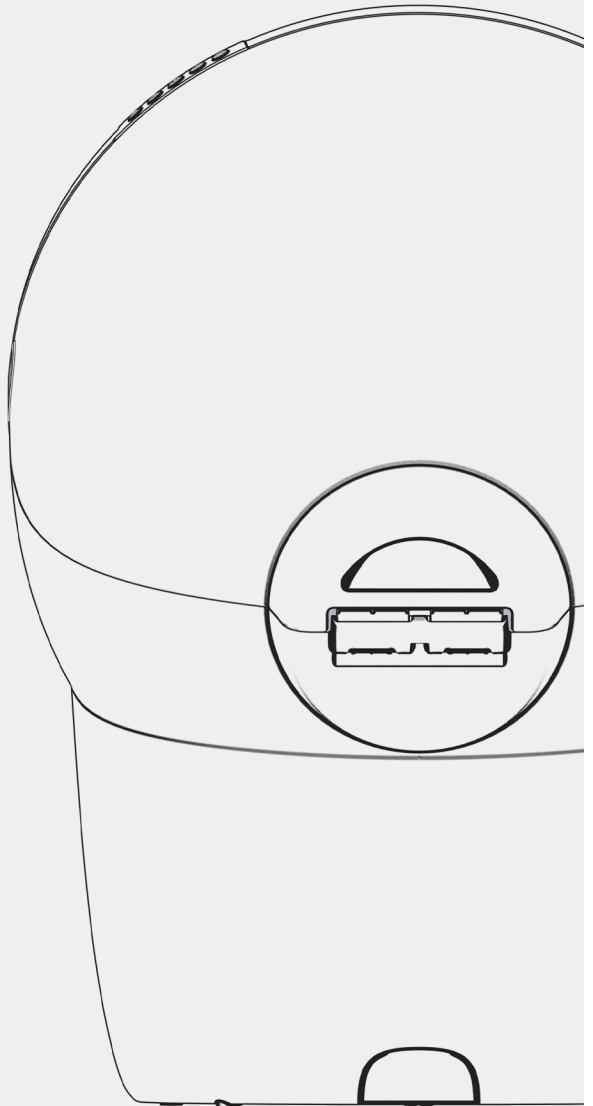
Version: LR4-8018-0a

1080 W Entrance Dr
Auburn Hills MI 48326

Whisker.com

Entworfen und
zusammengebaut

in den USA

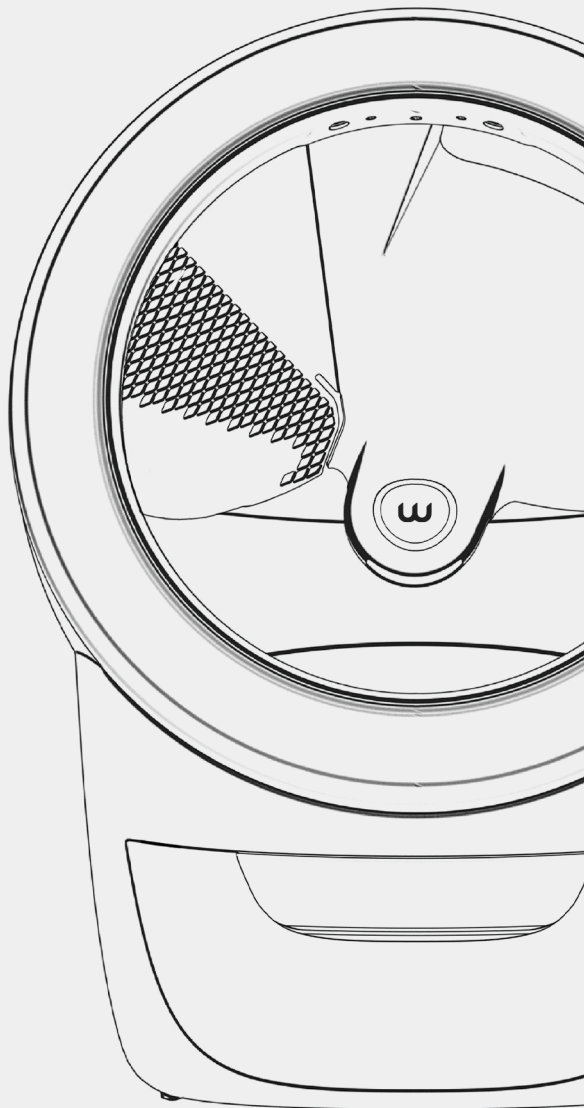


litter·robot[®] 4

by whisker

Manuale d'istruzioni

Whisker.com



Grazie di aver acquistato un prodotto Whisker!

Il presente manuale ti aiuterà a utilizzarlo al meglio. Ti guideremo attraverso la procedura di configurazione e ti forniremo consigli e suggerimenti utili affinché il tuo gatto o la tua gatta riesca a familiarizzare con la sua nuova e automatica lettiera autopulente.

Whisker esiste per rendere infinitamente migliore la vita degli animali domestici e dei genitori di animali domestici. In qualità di innovatori leader nella tecnologia per animali domestici e negli accessori per animali domestici raffinati, lavoriamo instancabilmente per risolvere i problemi e fornire informazioni più intelligenti ai genitori di animali domestici, arricchendo al contempo la vita degli animali domestici.

Goditi il Litter-Robot e goditi una vita migliore con il tuo animale domestico!

Jacob
Presidente & CEO

Brad
Fondatore e capo inventore



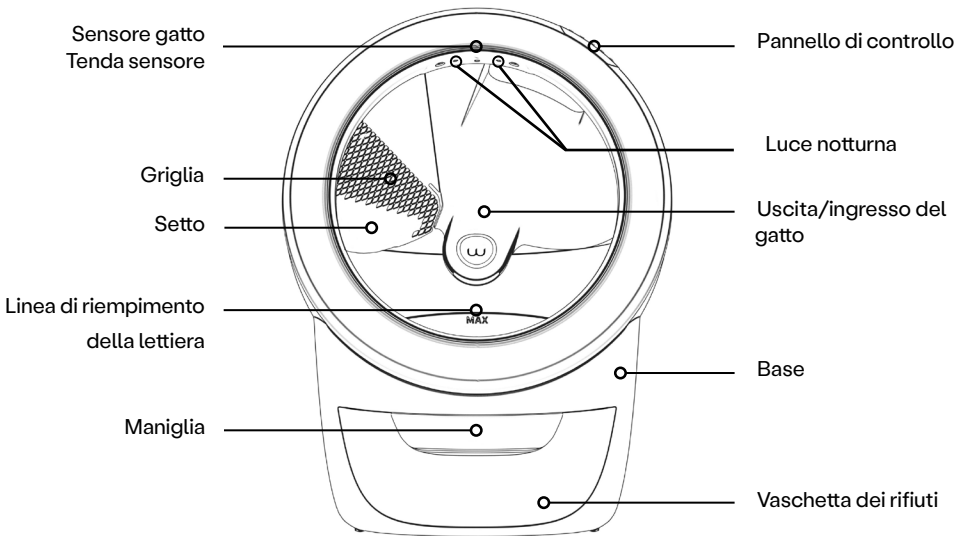
Importanti istruzioni di sicurezza

- Accertarsi **sempre** che qualsiasi gatto o gattino nella tua famiglia che potrebbe usare il Litter-Robot pesi almeno 1,36 kg. I gatti devono pesare almeno 1,36 kg per utilizzare in maniera sicura il Litter-Robot in modalità automatica.
- Posizionare **sempre** il Litter-Robot su una superficie solida e piana. Evitare l'uso su pavimenti soffici, irregolari o instabili, poiché potrebbero inficiare la funzionalità di rilevamento del gatto da parte dell'unità. Nel caso si utilizzino coperte o tappetini per lettiera, posizionarli davanti o completamente sotto l'unità. Non posizionare tappetini in parte sotto l'unità e in parte fuori. Utilizzare esclusivamente coperte e tappetini spessi 6 mm.
- Scollegare **sempre** l'unità prima di effettuare interventi di manutenzione.
- **Mai** forzare il tuo gatto a entrare nel Litter-Robot.
- **Mai** collocare nulla all'interno dell'unità al di fuori di lettiera agglomerante o perline e cristalli che siano sufficientemente piccoli da passare attraverso la griglia.
- **Mai** sedersi né posizionare oggetti sopra il Litter-Robot.
- **Mai** spingere il Litter-Robot contro un muro o in un angolo (non dovrebbe toccare nessun muro per misurazioni di peso precise).
- **Mai** bagnare o immergere la Calotta o la Base.
- **Mai** lasciare che bambini e persone con ridotte capacità fisiche, sensoriali o mentali, oppure con mancanza di esperienza e conoscenze utilizzino, puliscano o gestiscano il Litter-Robot senza supervisione o istruzioni su come utilizzarlo in modo sicuro, né senza che abbiano una reale comprensione dei pericoli associati al dispositivo. Ai bambini di età inferiore agli 8 anni non deve essere consentito il contatto con il Litter-Robot.
- **Mai** lasciare che bambini o altre persone giochino con il Litter-Robot.
- **Mai** utilizzare un alimentatore esterno diverso da quello fornito in dotazione con l'unità.
- In caso di danni all'alimentatore esterno, si prega di contattarci per la sostituzione.

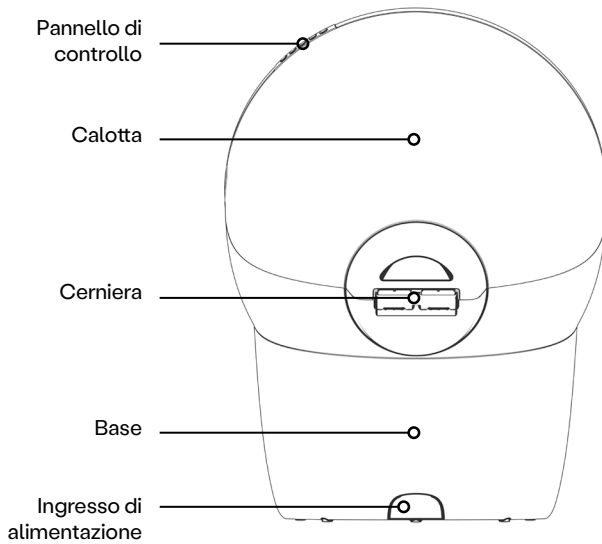
Sommario

Importanti istruzioni di sicurezza.....	5
Componenti e dimensioni.....	8
Configurazione del tuo Litter-Robot.....	12
Familiarizzazione del tuo gatto con il Litter-Robot.....	14
Manutenzione continua.....	15
Cicli	16
Pannello di controllo - Funzioni dei pulsanti.....	18
Pulsante di accensione.....	18
Pulsante Ciclo.....	18
Pulsante Reset.....	19
Pulsante Empty.....	19
Pulsante Connect	19
Pannello di controllo - Barra luminosa.....	20
Sensori e funzioni	21
Presenza gatto.....	22
Indicatore di vaschetta piena.....	22
Livello lettiera.....	23
Luce notturna automatica	23
Modalità sospensione	24
Impostazione tempo di attesa	24
Blocco del pannello di controllo.....	25
App Baffo.....	26
Funzioni di sicurezza	27
Impiego e cura.....	29
Domande frequenti.....	34
Prova a Casa.....	37
Informazioni di contatto del Servizio clienti	37

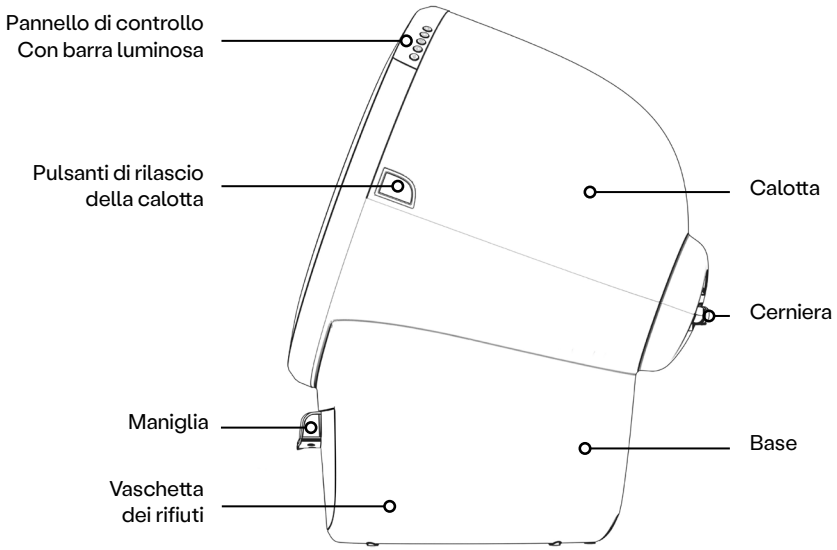
Componenti



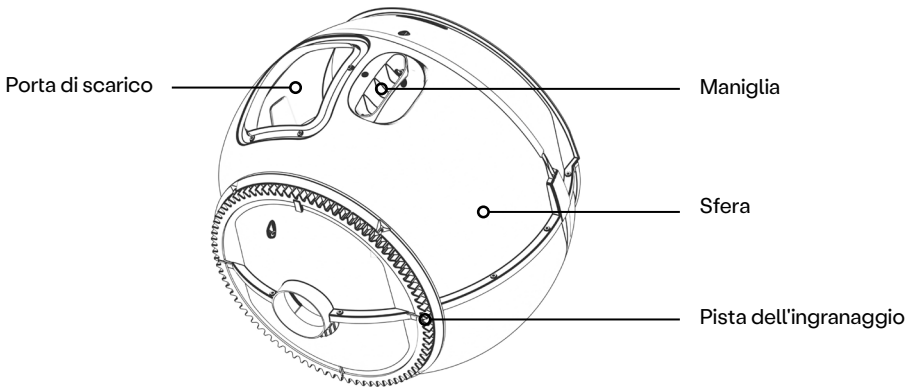
Vista frontale



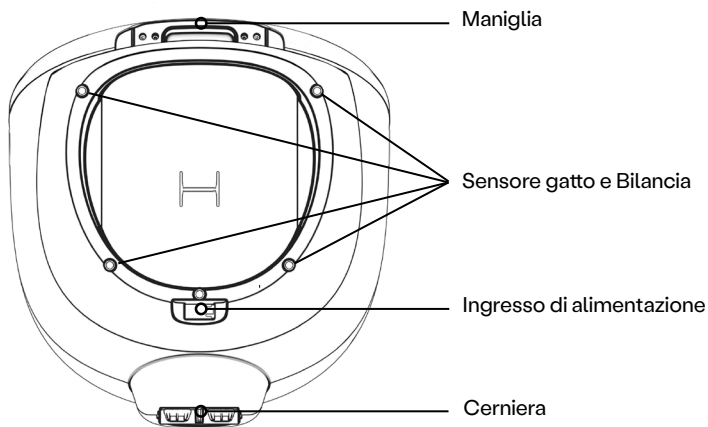
Vista posteriore



Vista laterale



Sfera

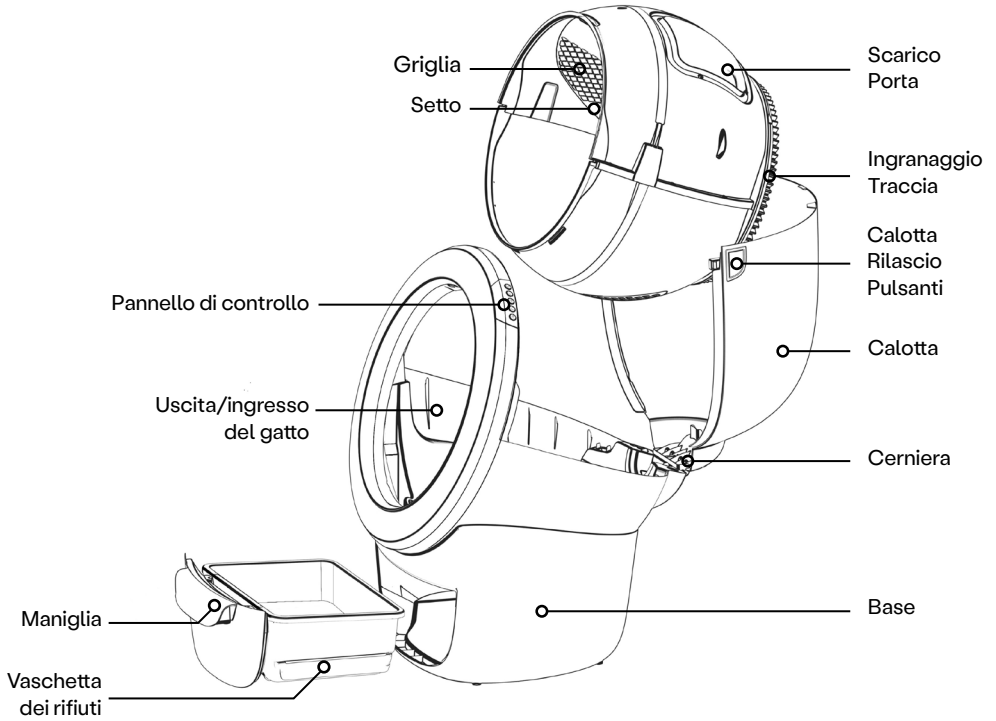


Vista dal basso

Dimensioni

	Altezza	Larghezza	x	Profondità	Peso
Completamente assemblato	75 cm	x 56 cm	x	68,6 cm	10,9 kg
Vaschetta dei rifiuti	14 cm	x 34,3 cm	x	23,5 cm	
Entrata	40 cm	x 40 cm			
Interno della Sfera	40-43 cm A seconda di livello della lettiera	x 48,3 cm	x	45,7 cm	
Fondo della lettiera		35,5 cm	x	35,5 cm	
Dal pavimento al gradino (opzionale)	17,5 cm				
Gradino (facoltativo) all'ingresso	11,4 cm				
Pavimento-entrata	30,5 cm				

Nota: Immagini mostrate con maniglia standard sulla vaschetta dei rifiuti. Sono disponibili un gradino e un tappetino per gradini opzionali per una maggiore facilità di accesso.



Vista esplosa

Configurazione del tuo Litter-Robot

Il tuo Litter-Robot viene venduto completamente assemblato e pronto all'uso. Iniziare seguendo i passaggi riportati qui sotto.

Posizionamento

- ❑ Se possibile, posiziona Litter-Robot nella stessa posizione della vecchia lettiera (almeno durante il periodo di transizione).
- ❑ Assicurarsi che l'unità si trovi su una superficie solida e piana. Evitare pavimenti soffici, irregolari o instabili.
- ❑ Tenere l'unità al chiuso, in un luogo fresco e asciutto. Ridurre l'esposizione ad alte temperature e a un grado elevato di umidità. Se possibile, tenere lontano dalla luce solare diretta.
- ❑ Collocare l'unità in prossimità di una presa di corrente. Assicurarsi che l'unità non venga spinta contro una parete o in un angolo (non deve toccare pareti).
- ❑ Posiziona eventuali tappetini davanti o completamente al di sotto dell'unità. Non posizionare tappetini in parte sotto l'unità e in parte fuori. Utilizzare solo tappeti e stuoie a pelo corto da 6 mm sotto l'unità.

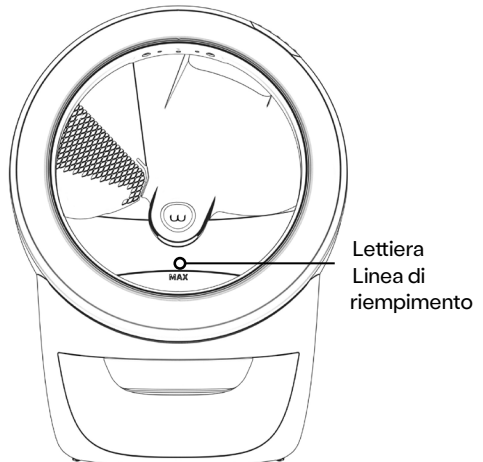
NON utilizzare lettiere totalmente assorbenti, non agglomeranti, di ghiaia, a base di carta da giornale o legno.

Lettieria

Riempire la Sfera attraverso l'apertura circolare con **lettiera agglomerante** fino a quando non incontra la linea di riempimento MAX rialzata quando è steso in piano, circa 3,6-4,5 kg in peso o 4 litri in volume. Fare attenzione a non riempire eccessivamente la Sfera.

Il sistema di setacciamento della lettiera di cui è dotato Litter-Robot richiede l'utilizzo di lettiera agglomerante per funzionare correttamente.

Raccomandiamo l'utilizzo di una lettiera argillosa agglomerante di alta qualità. Le perline e i cristalli di lettiera che siano sufficientemente piccoli da passare attraverso la griglia andranno ugualmente bene (si richiede di cambiare periodicamente questo tipo di lettiera).



Se si utilizza una lettiera di altro tipo rispetto a quelli sovralencati, si prega di contattare il Servizio clienti per accertarsi di utilizzare una lettiera compatibile.

Suggerimento: Quando si procede per la prima volta al riempimento del Litter-Robot, è consigliabile continuare a utilizzare la marca di lettiera che si stava utilizzando in precedenza, a patto che sia di tipo agglomerante. Il tuo gatto dovrà già familiarizzare con la sua nuova cassetta, per cui introdurre anche un nuovo tipo di lettiera potrebbe aumentare il suo livello di ansia. Tuttavia, se si sta utilizzando una lettiera non agglomerante, occorrerà passare a un tipo di lettiera di questo tipo.

Accensione e ciclo di pulizia iniziale

Collegare l'estremità piccola dell'alimentatore all'ingresso di alimentazione sul retro della base. Quindi collegare l'adattatore CA/CC a una presa a muro.

Individuare il Pulsante di accensione e premerlo. Il Litter-Robot esegue un primo Ciclo di pulizia che dura all'incirca 2 minuti. Per maggiori informazioni sul Ciclo di pulizia, passare a pagina 16.

Nota: La bilancia del Sensore gatto è disabilitata nel ciclo di pulizia iniziale durante l'accensione per garantire che i sensori di peso siano azzerati correttamente una volta che la Sfera raggiunge la posizione iniziale.



Congratulazioni!

Ora il tuo Litter-Robot è pronto all'uso. Raccomandiamo comunque di spegnere l'unità fino a quando il tuo gatto non abbia familiarizzato con il Litter-Robot e non abbia iniziato a usarlo.

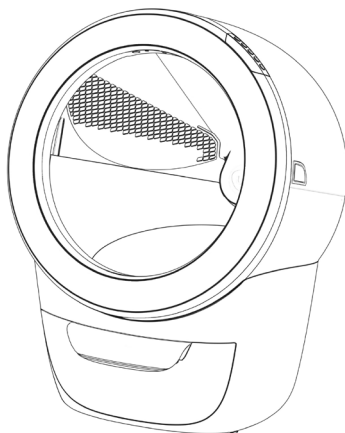
Familiarizzazione del tuo gatto con il Litter-Robot

Con ogni probabilità il tuo gatto si adatterà rapidamente al Litter-Robot. Ecco come facilitare la transizione:

1. Posizionare il Litter-Robot nello stesso punto in cui si trova l'attuale cassetta, configurarlo (assicurandosi di aggiungere la lettiera all'interno della Sfera) e verificare che sia spento. Lasciare che il proprio gatto esplori il Litter-Robot per uno o due giorni. Qualora il gatto non mostri alcun interesse, invogliarlo ad avvicinarsi al Litter-Robot usando dell'erba gatta o il fuoripasto che preferisce.
2. Aggiungere un cucchiaino di lettiera dalla vecchia cassetta affinché il gatto riconosca l'odore a lui familiare.
3. Posizionare dei fuoripasto sul gradino o intorno al Litter-Robot in modo tale che il gatto associ i premi all'unità:
4. Una volta che il gatto ha usato il Litter-Robot, accendere l'unità per eseguire un ciclo di pulizia. Incoraggiare il gatto a essere presente in quel momento, così che possa osservare il movimento e familiarizzare con il suono del Litter-Robot mentre si è lì a rassicurarlo. Al termine del ciclo, spegnere nuovamente l'unità (il Litter-Robot deve trovarsi in posizione Home). Raccomandiamo di non pulire più la vecchia cassetta una volta che il gatto ha iniziato a utilizzare il Litter-Robot.
5. Nel caso in cui il gatto non abbia iniziato a utilizzare il Litter-Robot al passare di qualche giorno, continuare a usare la vecchia marca di lettiera nella vecchia cassetta e far trascorrere quanto più tempo possibile senza lavarla. I gatti preferiscono una cassetta pulita, per cui lasciarla sporca potrebbe persuaderli a utilizzare il Litter-Robot, che è invece bello pulito. Inoltre, si può considerare di sostituire la lettiera nel Litter-Robot con un tipo specificamente formulato per addestrare i gatti a usare le cassette.

Nel momento in cui il proprio gatto utilizzi regolarmente il Litter-Robot, è possibile accendere l'unità lasciandola in funzione in Modalità automatica e rimuovere la vecchia cassetta.

Congratulazioni, il tuo gatto si è perfettamente adattato al Litter-Robot! Goditi la tua libertà lontano dalla paletta!

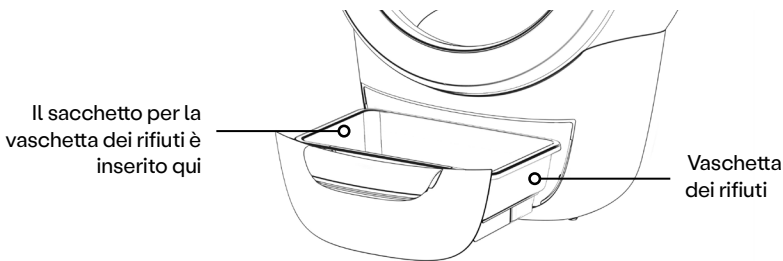


Manutenzione continua

Svuotare la vaschetta dei rifiuti quando indicato dalla barra luminosa lampeggiante blu sul pannello di controllo. La frequenza con cui occorrerà svuotare la Vaschetta dei rifiuti dipende dal numero e dalle dimensioni dei gatti presenti in casa. Solitamente, per due gatti di medie dimensioni occorrerà svuotarla due volte a settimana. Se si possiede un solo gatto, una volta a settimana è in genere sufficiente.

Estrarre la vaschetta dei rifiuti, raccogliere i bordi del sacchetto della fodera e smaltire. È possibile utilizzare i sacchetti della vaschetta dei rifiuti su misura per Litter-Robot o qualsiasi sacco della spazzatura da 37-49 litri.

Per installare un nuova vaschetta dei rifiuti, aprire il sacchetto e avvolgere l'apertura lungo il perimetro della flangia della vaschetta dei rifiuti. Spingere il resto del sacchetto nella parte inferiore della vaschetta dei rifiuti. Far scorrere la vaschetta indietro, facendo attenzione a non spingere l'unità contro la parete o nell'angolo (per misurazioni di peso precise, non deve toccare pareti). Premere il pulsante Reset per azzerare i sensori di peso.



Aggiungere lettiera secondo necessità.

Controllare il livello della lettiera una volta a settimana, oppure ogni volta che si provvede a svuotare la Vaschetta dei rifiuti. Aggiungere la quantità di lettiera sufficiente a raggiungere la Linea di riempimento MAX all'interno della Sfera, facendo attenzione a non eccedere. Dopo aver aggiunto o rimosso la lettiera, premere il pulsante Reset per ripristinare i Sensori peso.

Premere il pulsante Reset.

Ogni volta che si altera il peso o la posizione dell'unità (compreso quando si svuota la Vaschetta dei rifiuti, si aggiunge o si rimuove la lettiera e si pulisce o si sposta l'unità), premere il pulsante Reset per assicurarsi che i Sensori peso rilevino il gatto ed eseguano correttamente il ciclo.

Vedere Impiego e cura a pagina 29 per informazioni su Filtro a carbone, Guarnizioni della base, Sacchetti per la vaschetta dei rifiuti e su come pulire il Litter-Robot.

Ciclo di pulizia

Dopo che il gatto esce dalla Sfera, il Litter-Robot esegue automaticamente un Ciclo di pulizia. Il sistema di setacciamento brevettato è in grado di separare i grumi dalla lettiera pulita e di depositarli nella Vaschetta dei rifiuti in basso. Ci vorranno 2 minuti per completare il ciclo di pulizia. È anche possibile premere il pulsante Ciclo per avviare un Ciclo di pulizia.

Durante un Ciclo di pulizia, premere un pulsante qualsiasi per mettere in pausa il ciclo. Per riprendere il ciclo, premere il pulsante Ciclo. Premere il pulsante Reset o Empty per interrompere il ciclo e riportare la Sfera in posizione iniziale (Home).

Funzionamento:

Il Litter-Robot è pronto per essere utilizzato quando la Sfera si trova in posizione Home e la spia blu sul Pannello di controllo è accesa.

1. Quando un gatto entra nella Sfera, i sensori gatto vengono attivati; la barra luminosa blu diventa rossa.
2. Non appena il gatto esce dalla Sfera, inizia il conto alla rovescia per l'inizio di un Ciclo di pulizia. Trascorso il tempo di attesa (vedi pagina 24), la barra luminosa rossa si trasforma in una barra luminosa Round Robin gialla che indica la rotazione della Sfera in senso antiorario del ciclo di pulizia.
3. Mentre la rotazione in senso antiorario continua, la lettiera pulita passa attraverso la griglia a basso contenuto di polvere mentre i grumi di lettiera vengono separati dalla lettiera pulita. La lettiera pulita viene raccolta dietro il setto.
4. Durante la rotazione, e mentre la Sfera è capovolta, un peso integrato nella parte inferiore del sacchetto della Sfera flessibile fa sì che il rivestimento si stacchi dalla Sfera per garantire la rimozione di eventuali grumi bloccati.
5. Nel momento in cui la Sfera ruota fino a raggiungere la posizione di scarico, i grumi cadono nella Vaschetta dei rifiuti, passando attraverso la Porta dei rifiuti.
6. La Sfera si ferma quindi nella posizione di scarico e inizia a ruotare in senso orario, tornando alla posizione Home. Il sacchetto della Sfera flessibile ricade in posizione e la lettiera pulita si riversa sul fondo della Sfera.
7. La Sfera ruota oltre la posizione Home per livellare la lettiera prima di tornare al punto iniziale. La barra luminosa Round Robin gialla sequenziale diventa blu, indicando che l'unità è pronta per l'uso successivo.

Qualora il proprio gatto rientri nella Sfera durante il conto alla rovescia del Tempo di attesa (spia rossa accesa), il Sensore gatto rileva il peso e non esegue il ciclo con il gatto al suo interno (vedere pagina 21). Una volta uscito il gatto, inizia un nuovo conto alla rovescia.

Ciclo di svuotamento (Svuota)

Il Ciclo di svuotamento consente di svuotare completamente la Sfera, rimuovendo tutta la lettiera all'interno della Vaschetta dei rifiuti per facilitare lo smaltimento. Utilizzare questo ciclo per sostituire l'intera lettiera o prima di pulire la Sfera (vedere pagina 31).

Mentre la Sfera è in posizione iniziale con la barra luminosa blu accesa, premere il pulsante Empty per avviare un Ciclo di svuotamento.

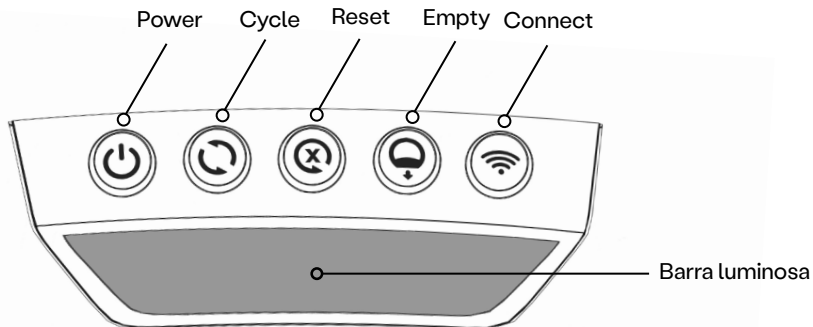
Durante un Ciclo di svuotamento, premere il pulsante Cycle, Reset, Empty o Connect per mettere in pausa il ciclo. Per riprendere il ciclo, premere il pulsante Ciclo. Premere il pulsante Reset per interrompere il ciclo e riportare la Sfera in posizione iniziale (Home).

Funzionamento:

1. Dopo aver premuto il pulsante Empty, la Sfera ruota in senso orario con la barra luminosa Round Robin sequenziale gialla che indica il senso di rotazione.
2. Mentre la Sfera ruota, la lettiera cade attraverso la Porta dei rifiuti all'interno della Vaschetta dei rifiuti.
3. Una volta svuotata la lettiera, la Sfera si ferma con la spia gialla accesa e attende fino all'operazione successiva. (potrebbe essere necessario spazzare eventuali residui di lettiera verso la Porta dei rifiuti).
4. Premere il pulsante Ciclo o Reset per riportare la Sfera in posizione Home.

IMPORTANTE: Supervisionare e impedire al tuo gatto di entrare durante il Ciclo di svuotamento.

Pannello di controllo - Funzioni dei pulsanti



Pulsante di accensione

Premere il pulsante Power per accendere o spegnere il dispositivo. Quando si accende l'unità, la barra luminosa lampeggia in bianco, quindi l'unità esegue un ciclo di pulizia con una barra luminosa Round Robin gialla sequenziale che indica il senso di rotazione.

Con l'unità accesa, una pressione prolungata di 3 secondi del pulsante di accensione spegne l'unità.



Pulsante Ciclo + [Modalità sospensione per 8 ore]

Premere il pulsante Cycle per avviare il ciclo di pulizia (vedere pagina 16). Premere di nuovo il pulsante Ciclo per mettere in pausa o riprendere il ciclo.

Una pressione prolungata di 3 secondi attiva la modalità di sospensione predefinita di 8 ore (vedere pagina 24). La barra luminosa diventa viola, indicando che la modalità di sospensione è abilitata per le successive 8 ore. Per uscire da questa modalità, tenere premuto il pulsante Ciclo per 3 secondi. La barra luminosa diventa blu a indicare che la modalità è stata disabilitata.



Reset + (Luce notturna automatica)

Premere il pulsante Reset mentre la Sfera si trova nella posizione iniziale con la barra luminosa blu accesa per ripristinare i sensori gatto. Se viene premuto invece durante un ciclo, lo mette in pausa. Se lo si preme nuovamente mentre il ciclo è in pausa, sospenderà il ciclo. Se viene premuto con la barra luminosa rossa accesa, annulla il tempo di attesa del sensore gatto e l'unità torna alla modalità Pronta (barra luminosa blu accesa).

Una pressione prolungata di 3 secondi abilita o disabilita la modalità di impostazione automatica della luce notturna (vedere pagina 23).



Pulsante Empty + (Impostazione tempo di attesa)

Premere il pulsante Empty mentre la Sfera è nella posizione iniziale con la barra luminosa blu accesa per avviare un Ciclo di svuotamento (vedere pagina 17). Se viene premuto durante un ciclo di pulizia o un Ciclo di svuotamento, mette in pausa il ciclo. Premendo il pulsante Empty durante un ciclo in pausa, il ciclo viene interrotto e la Sfera torna alla posizione iniziale.

Una pressione prolungata di 3 secondi abilita o disabilita la modalità di impostazione del tempo di attesa (vedere pagina 24).



Pulsante Connect

Premere il pulsante Connect per accendere o spegnere il WiFi.

1. Wi-Fi OFF è indicato da una luce bianca accanto al pulsante Connect.
2. Il Wi-Fi acceso e la connessione sono indicati da una luce blu lampeggiante accanto al pulsante Connect.
3. Wi-Fi acceso e connesso è indicato da una luce blu fissa adiacente al pulsante Connect, che completa la barra luminosa blu.

Una pressione prolungata di 3 secondi avvia la modalità Onboarding indicata da una luce gialla lampeggiante accanto al pulsante Connect. Premere e rilasciare per uscire dalla modalità Onboarding.

Pannello di controllo - Barra luminosa

Barra di luce blu: Modalità Pronto.

Spia blu lampeggiante: La vaschetta dei rifiuti è piena (vedere pagina 22).

Stato della spia Wi-Fi: (vedere pagina 26).

- Blu: Il Wi-Fi è connesso.
- Bianco: Il Wi-Fi è disattivato.
- Blu Lampeggiante: Il WiFi è disconnesso/ricollegato.
- Giallo Lampeggiante: L'unità è in modalità Onboarding.

Barra luminosa gialla: L'unità è in pausa durante un ciclo.

Spia gialla lampeggiante: La calotta è stata rimossa. L'unità riprende la sua funzione precedente 5 secondi dopo che la Calotta è stata reinstallata (vedere pagina 27).

Barra luminosa Round Robin gialla: L'unità sta eseguendo un Ciclo di pulizia o svuotamento (vedere pagina 16).

Barra luminosa gialla ping pong: Ciclo interrotto dalla funzione di sicurezza anti-schiacciamento (vedere pagina 28).

Barra luminosa rossa: Gatto rilevato e conto alla rovescia avviato.

Spia rossa lampeggiante: Gatto rilevato nell'unità per più di 30 minuti.

Barra luminosa rossa ping pong: Movimento rilevato nella vaschetta (vedere pagina 27).

Barra luminosa viola: Modalità sospensione abilitata, unità entro il periodo di riposo specificato.

Flash momentaneo della barra luminosa bianca - L'unità è in modalità di blocco del pannello di controllo (vedere pagina 25).

Barra luminosa rossa con lampeggio giallo parziale: Il motore ha rilevato ostruzione o inceppamento.

Barra luminosa rossa con lampeggio bianco parziale: Impossibile rilevare la posizione della Sfera. L'unità continua a funzionare in Modalità automatica. Contattare il Servizio clienti.

Sensori e funzioni Litter-Robot

Sensore gatto - Sensore tenda

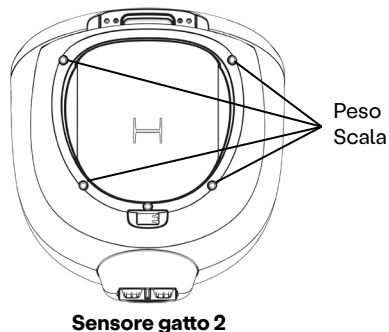
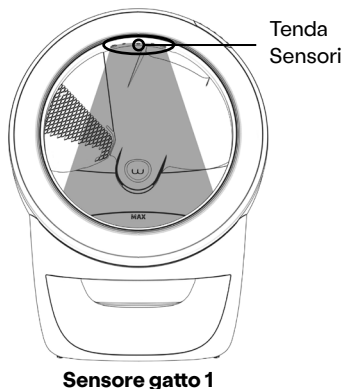
Il Litter-robot è dotato di sensori a tendina che guardano verso il basso attraverso l'apertura dell'unità e nella Sfera che rilevano quando un gatto entra o esce dalla SFera mentre si trova nella posizione iniziale. Se un sensore tenda viene attivato durante un ciclo, la Sfera si ferma. Dopo 15 secondi di non ulteriore attivazione, la rotazione della Sfera riprende. Se l'unità non funziona, controllare la cornice per rilevare eventuali detriti (pelliccia di gatto, polvere ecc.) che potrebbero interferire con i sensori della tenda. Per correggere, pulire i fori del sensore della cornice e della tenda con un asciugamano asciutto.

Sensore gatto - Bilancia

Il Litter-Robot è dotato di sensori di peso situati nella base dell'unità che vengono utilizzati per rilevare e pesare ulteriormente il gatto all'interno della Sfera mentre si trova nella posizione iniziale. Se viene rilevato un peso aggiuntivo durante un ciclo, la Sfera si ferma. Dopo 15 secondi dall'uscita del peso aggiuntivo, la rotazione della Sfera riprende.

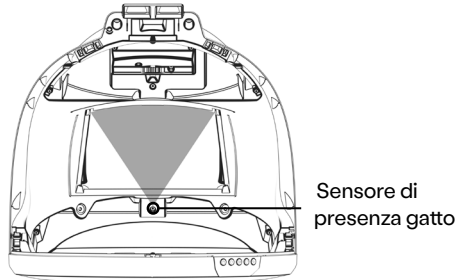
Tenere presente che ogni volta che l'unità viene accesa o al completamento di un ciclo di pulizia, i sensori di peso misurano il peso dell'unità da utilizzare come linea di base, o "zero". La bilancia può essere "azzerata" in qualsiasi momento premendo il pulsante Reset.

Premere il pulsante Reset per azzerare la bilancia dopo aver eseguito qualsiasi operazione che influisca sul peso dell'unità. Premere Reset fino in fondo e rapidamente, quindi attendere che la spia blu lampeggi per confermare l'azzeramento della bilancia. Fare attenzione a non poggiarsi sull'unità dopo aver premuto il pulsante per evitare che il proprio peso influisca sulla lettura. Per una migliore precisione della bilancia, l'unità deve essere posizionata su una superficie dura e piana. Se viene posizionata su moquette, la precisione della scala è ridotta.



Presenza del gatto

Il Litter-Robot è dotato di un sensore di movimento che monitora la vaschetta dei rifiuti. Se il sensore di movimento rileva un movimento all'interno della vaschetta dei rifiuti mentre si trova nella posizione iniziale, l'unità ruota la Sfera in una posizione tale che la porta dei rifiuti fornisca l'uscita dalla vaschetta dei rifiuti.



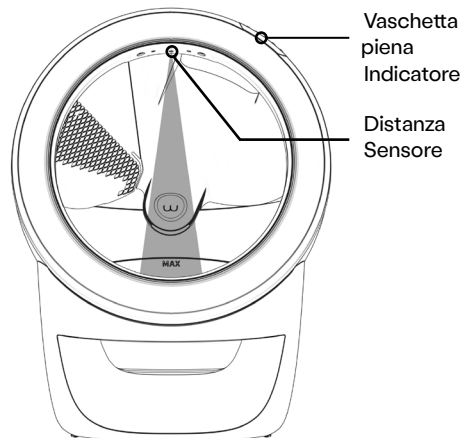
Indicatore di vaschetta piena (DFI)

Il Litter-Robot è dotato di un sensore di distanza che guarda verso il basso dalla parte superiore dell'unità che viene utilizzato per rilevare il livello dei rifiuti all'interno della vaschetta dei rifiuti. Durante ogni ciclo di pulizia, il sensore DFI misura il livello di rifiuti all'interno della cassetta dei rifiuti mentre la porta dei rifiuti passa sopra la vaschetta dei rifiuti.

Quando la vaschetta dei rifiuti è piena, la barra luminosa lampeggia in blu.

- ❑ Alla prima e alla seconda attivazione del DFI, la barra luminosa lampeggerà in blu e i sensori gatto rimangono attivi.
- ❑ Alla terza attivazione del DFI, i sensori gatto vengono disattivati e l'unità non si avvia più automaticamente.

Controllare o svuotare la Vaschetta dei rifiuti, quindi premere Reset per annullare l'indicatore e ripristinare il Sensore gatto. Premere di nuovo Reset per azzerare la bilancia. Tenere presente che anche la bilancia si azzerava automaticamente dopo ogni ciclo di pulizia.



Livello di lettiera

Inoltre, il sensore di distanza viene utilizzato per misurare il livello di lettiera all'interno dell'unità. Se l'unità è connessa tramite l'app Whisker (vedi pagina 26), invia una notifica quando il livello dei rifiuti è superiore o inferiore a una soglia specificata.

Luce notturna automatica

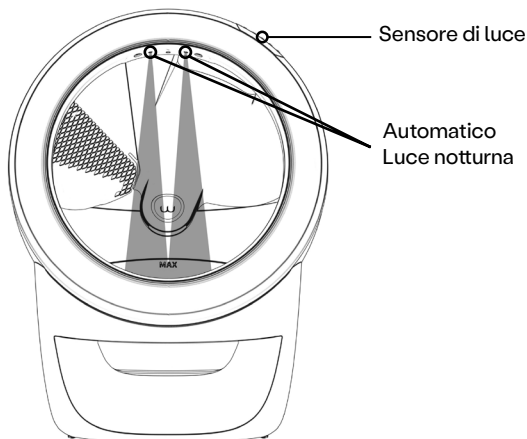
Sebbene i gatti siano dotati solitamente di un'ottima vista, la vecchiaia o eventuali malattie possono ridurre la loro abilità di vedere in condizioni di scarsa illuminazione. Il Litter-Robot viene venduto con la funzione di Luce notturna automatica attivata. Quando il sensore di luce, situato nel pannello di controllo, rileva condizioni di scarsa illuminazione, la luce notturna si accende automaticamente.

Una pressione prolungata di 3 secondi del pulsante Reset entra o esce dalla modalità di impostazione automatica della luce notturna. La barra luminosa indica l'impostazione corrente. Successive pressioni brevi del pulsante Reet alternano le impostazioni mostrate di seguito. Dopo aver selezionato l'impostazione preferita, una pressione prolungata di 3 secondi del pulsante Reset salva l'impostazione.

Viene visualizzata → 1 spia verde Sempre OFF

Vengono visualizzate → 2 spie verdi Sempre ON

Vengono visualizzate → 3 luci verdi automatiche



Modalità sospensione

Questa modalità consente di disattivare il Sensore gatto per un determinato periodo di tempo in modo che l'unità non esegua il ciclo automaticamente. La Modalità sospensione è utile quando l'unità viene posizionata all'interno di camere da letto o in aree in cui si desidera che l'unità non esegua il ciclo per un determinato periodo del giorno.

L'unità è programmata con un periodo di sospensione predefinito di 8 ore. Il periodo di sospensione si ripete ogni 24 ore; l'avvio viene determinato dal momento in cui la modalità viene impostata inizialmente.

Una pressione prolungata di 3 secondi del pulsante Ciclo abilita la modalità sospensione. La modalità di sospensione è indicata dalla barra luminosa che diventa viola. La barra luminosa rimane viola durante il periodo di sospensione e poi torna blu una volta scaduto il periodo di sospensione.

Durante il periodo di sospensione l'unità monitora un gatto che utilizza l'unità, ma non esegue un ciclo di pulizia. Al termine del periodo di sospensione, se non viene rilevato alcun utilizzo dell'unità, l'unità passa alla modalità Pronta, indicata da una barra luminosa blu, e funziona in modalità automatica per il resto del periodo di 24 ore.

Se l'unità rileva l'utilizzo durante il periodo di sospensione, viene eseguito un ciclo di pulizia alla scadenza del periodo di sonno. Una volta che la Sfera è tornata alla posizione iniziale, la barra luminosa diventa blu e l'unità funziona in modalità automatica per il resto del periodo di 24 ore.

Una pressione prolungata di 3 secondi del pulsante Ciclo disattiva la modalità di sospensione, indicata dalla barra luminosa che cambia in blu da viola, o dalla barra luminosa che lampeggia momentaneamente in viola se l'unità non è nel periodo di sospensione.

Tenere presente che l'app Whisker (vedere pagina 26) offre opzioni di programmazione della modalità di sospensione personalizzabili.

Impostazione tempo di attesa

Il Tempo di attesa corrisponde al tempo trascorso dal momento in cui il gatto esce dalla Sfera fino al momento in cui l'unità avvia un Ciclo di pulizia. Può essere impostato per 3, 7, 15, 25 o 30 minuti. Il Tempo di attesa predefinito è 7 minuti.

Ridurre il Tempo di attesa nel caso in cui sia importante ridurre al minimo eventuali odori e/o il tempo in cui i rifiuti possano diventare accessibili ad altri animali domestici, ad esempio cani. Tuttavia, ridurre il Tempo di attesa potrebbe comportare anche una riduzione dell'efficacia del ciclo pulente, qualora i grumi non abbiano tempo sufficiente per consolidarsi. Prolungare il Tempo di attesa quando si utilizza una lettiera agglomerante di minore qualità che necessita di più tempo per consolidarsi.

Una pressione prolungata di 3 secondi del pulsante Empty entra o esce dalla modalità di impostazione del tempo di attesa. La barra luminosa indica l'impostazione del tempo di attesa corrente. Successive pressioni brevi del pulsante Empty alternano le impostazioni mostrate di seguito. Dopo aver selezionato l'impostazione preferita, una pressione prolungata di 3 secondi del pulsante Empty salva l'impostazione.

Viene visualizzata → 1 Luce verde per 3 minuti

Vengono visualizzate → 2 Luci verdi per 7 minuti

Vengono visualizzate → 3 Luci verdi per 15 minuti

Vengono visualizzate → 4 Luci verdi per 25 minuti

Vengono visualizzate → 5 (tutte) Luci verdi per 30 minuti

Blocco del pannello di controllo

Il Blocco del pannello di controllo disabilita le funzioni dei pulsanti per prevenire modifiche indesiderate. Il Litter-Robot funziona normalmente in Modalità automatica durante il Blocco del pannello di controllo.

Una pressione prolungata di 3 secondi dei pulsanti Ciclo + Reset abilita o disabilita la modalità di blocco del pannello di controllo. La barra luminosa lampeggia momentaneamente in rosso per confermare la modifica dello stato.

Durante la modalità di blocco del pannello di controllo, la barra luminosa lampeggia in bianco quando viene premuto un pulsante qualsiasi, indicando che il pannello di controllo è bloccato.

In Blocco del pannello di controllo, è possibile spegnere l'unità tenendo premuto il Pulsante di accensione per 3 secondi.

App Whisker

L'app Whisker offre opzioni di programmazione personalizzabili per il Litter-Robot dalla comodità del tuo telefono. È possibile monitorare e controllare il Litter-Robot, ricevere notifiche, ottenere informazioni dettagliate sulla salute del gatto confrontando le statistiche settimanali e mensili e altro ancora.

Installazione dell'app Whisker

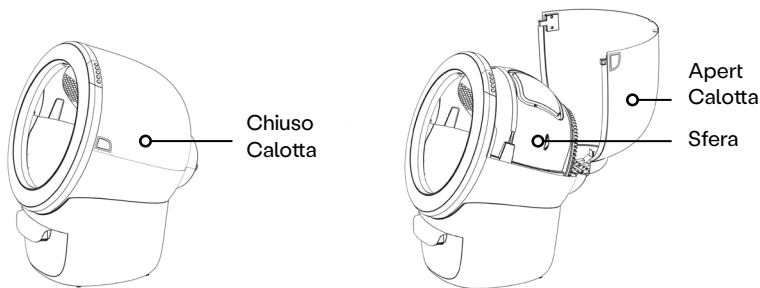
1. Premere il pulsante Power per accendere il Litter-Robot.
2. Scarica l'app Whisker dall'App Store o da Google Play.
3. Accertarsi che il Bluetooth sia abilitato sul proprio dispositivo mobile. Scansionare il codice QR per essere indirizzati all'app Store specifico.
4. Il Litter-Robot viene spedito con l'unità in modalità Onboarding (la spia Wi-Fi lampeggia in giallo).
 - a. Se l'unità non è in modalità Onboarding, tenere premuto il pulsante Connect per 3 secondi o fino a quando la spia Onboarding non lampeggia in giallo.
5. Seguire le istruzioni nell'app e scansionare il codice QR sul retro dell'unità come indicato.
6. Una volta che Litter-Robot è connesso correttamente al Wi-Fi, la spia di bordo sulla barra luminosa del pannello di controllo visualizza una luce blu fissa.
7. Se l'Onboarding non riesce, viene chiesto di riprovare o annullare. Se si riprova, il processo viene ricominciato.
8. Dopo aver eseguito correttamente l'Onboarding, selezionare l'unità nella schermata iniziale per visualizzare il Litter-Robot e regolare le impostazioni.



Funzioni di sicurezza

Calotta - Copertura completa

La Calotta funziona come copertura e protezione della Porta dei rifiuti durante la rotazione della Sfera. La Sfera non ruota senza la Calotte installata (vedere Pannello di controllo - Barra luminosa - Barra luminosa gialla lampeggiante, pagina 20).



Sistema di rilevamento gatti OmniSense

Il sistema Sensore gatto del Litter-Robot è una combinazione di sensori ottici e di peso che rilevano il tentativo del gatto di entrare nell'unità durante un ciclo. Se un gatto tenta di entrare nell'unità durante un ciclo, la Sfera si ferma e la barra luminosa diventa rossa, indicando che il ciclo è stato interrotto. Il ciclo non riprende fino a 15 secondi dopo che il gatto non viene più rilevato.

Il Litter-Robot è dotato inoltre di un sensore di movimento che monitora la vaschetta dei rifiuti. Se viene rilevato un movimento all'interno della vaschetta dei rifiuti quando la Sfera si trova nella posizione iniziale, l'unità ruota la Sfera in una posizione tale che la porta dei rifiuti fornisca l'uscita dalla vaschetta dei rifiuti.

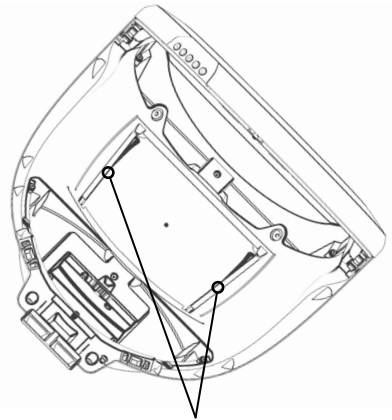
Funzione di sicurezza antipresa

Il Litter-Robot è dotato di sensori anti-pizzicamento su entrambi i lati dello scivolo della vaschetta dei rifiuti per garantire la sicurezza del gatto durante l'utilizzo del Litter-Robot. Questi sensori monitorano in ogni momento potenziali condizioni di pizzicamento.

Durante un ciclo, nel caso in cui venga rilevata una condizione di presa, la Sfera si fermerà e invertirà la rotazione per 2 secondi. Dopo una pausa di 2 secondi, l'unità tenta di continuare il ciclo.

Mentre la Sfera si ritrae, la barra luminosa visualizza un motivo ping pong giallo.

Nota: Accertarsi che le barre a due contatti siano prive di rifiuti in eccesso.



Barre a due contatti

Rilevamento di sovraccarico

Se la Sfera si blocca o si sovraccarica durante la rotazione, il motore si ferma e si ritrae per 5 secondi. Dopo una pausa di 2 secondi, l'unità tenta di continuare il ciclo.

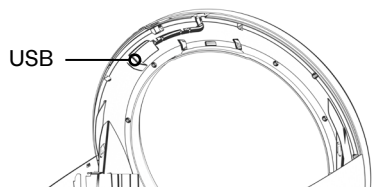
Se la Sfera non è in grado di continuare il ciclo dopo tre tentativi, la Sfera si ferma e la barra luminosa visualizza un codice di errore con 3 luci rosse e 2 luci gialle lampeggianti.

Se la Sfera è in grado di completare un ciclo di pulizia dopo aver riscontrato una condizione di inceppamento o sovraccarico, il pannello di controllo torna alla modalità Pronto (barra luminosa blu). L'unità continuerà a funzionare in Modalità automatica.

Se la barra luminosa segnala un errore di inceppamento o sovraccarico, spegnere l'unità e rimuovere la Calotta e la Sfera. Verificare la presenza di ostruzioni negli ingranaggi o nel motore. Riasssemblare l'unità e verificare che la lettiera si trovi a un livello adeguato. Accendere l'unità ed eseguire un ciclo. Se il problema persiste, contattare il Servizio clienti.

Porta di alimentazione USB

Il Litter-Robot è dotato di una porta di alimentazione USB sotto la calotta sul retro della cornice. Questa porta fornisce alimentazione a 5 V (1 A) per qualsiasi dispositivo USB esterno.



Accessori opzionali:

Batteria di backup

Il Litter-Robot può essere dotato di una batteria di backup. Utilizzando una batteria ermetica da 12 V CC e una capacità da 1,3 ore ampere, l'unità può continuare a funzionare in caso di blackout. Quando l'alimentazione al Litter-Robot viene interrotta, l'unità passa automaticamente alla modalità batteria di backup, indicata dalla barra luminosa del pannello di controllo che cambia da completamente blu a solo il LED del pulsante di accensione che lampeggia in blu.

Nota: il WiFi e la funzione Luce notturna vengono disabilitati in modalità Batteria di riserva per risparmiare energia. L'intensità del display della barra luminosa viene ridotta del 50% e la funzionalità Luce notturna viene disabilitata per risparmiare energia.

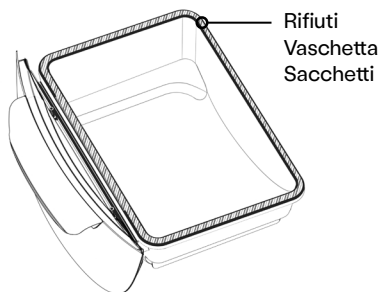
La tasca della batteria e i connettori si trovano nella compartimento del motore della Base. I kit batteria di backup si possono ordinare da litter-robot.com. Nota: L'uso di accessori non venduti su litter-robot.com, whisker.com o su uno qualsiasi dei nostri siti Web di rivenditori autorizzati non è approvato o supportato da Whisker. Whisker non è responsabile di incidenti o lesioni derivanti dall'uso di accessori diversi da Whisker. Qualsiasi modifica o uso non autorizzato del Litter-Robot può invalidare la garanzia.

Impiego e cura

Installazione dei Sacchetti per la vaschetta dei rifiuti

Il Litter-Robot viene spedito con un Sacchetto per la vaschetta dei rifiuti preinstallato. Questi sacchetti sono stati prodotti specificamente per il Litter-Robot, ma un qualsiasi sacchetto per la spazzatura da 37-49 litri andrà ugualmente bene.

1. Aprire un nuovo sacchetto o bustina per la vaschetta dei rifiuti.
2. Avvolgere i bordi del sacchetto o della bustina per la vaschetta dei rifiuti sulla flangia della vaschetta dei rifiuti.
3. Spingere il resto del sacchetto sul fondo della vaschetta dei rifiuti, quindi chiudere la vaschetta.

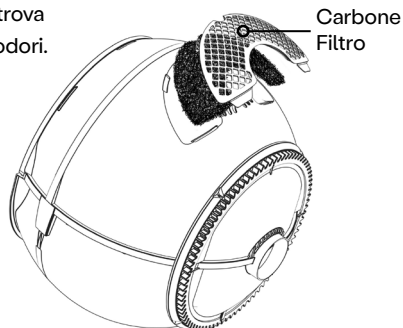


Filtro a carbone

Litter-Robot è dotato di una spugna filtrante a carboni flessibile installata nella parte inferiore esterna della Sfera. Il filtro si trova direttamente sopra la vaschetta dei rifiuti per assorbire gli odori.

Il filtro al carbone si può rimuovere e installare facilmente avviando un ciclo di pulizia, quindi aprendo la Calotta quando la Sfera è in posizione di scarico. Sostituire il filtro a carbone secondo necessità. In condizioni di utilizzo normale, 1 filtro dura circa 1 mese. Il filtro a carbone non è indispensabile per il funzionamento dell'unità.

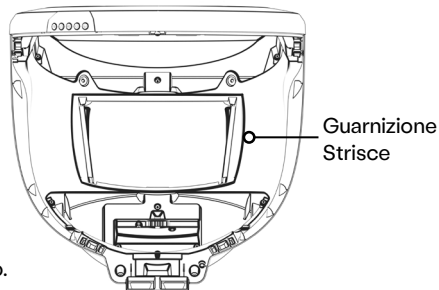
I filtri a carbone di ricambio e altri accessori per l'assorbimento degli odori si possono ordinare su litter-robot.com.



Guarnizioni della base

Il Litter-Robot è dotato di guarnizioni a spazzola sia nella parte superiore che inferiore della base. Queste guarnizioni consentono di contenere gli odori all'interno della vaschetta dei rifiuti.

Sostituire le Guarnizioni in caso si noti che si stanno appiattendosi o staccando. Per prolungare la durata, tagliare i bordi che si siano eventualmente staccati tra una sostituzione e l'altra. Fare attenzione a non bagnarli durante la pulizia della Base per evitare che si stacchino. È possibile ordinare i Ricambi delle Guarnizioni su www.litter-robot.com



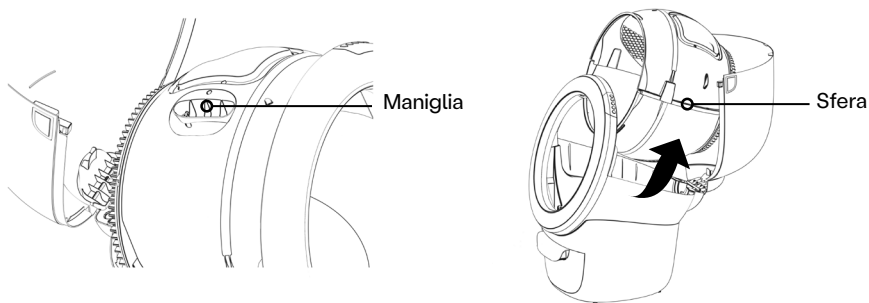
Svuotamento del Litter-Robot

1. Premere il pulsante Svuota per far compiere un ciclo in senso orario alla Sfera: tale operazione consente alla lettiera di cadere attraverso la Porta dei rifiuti nella Vaschetta dei rifiuti per facilitare lo smaltimento.
2. Nel caso rimanga della lettiera all'interno della Sfera, spazzare i grumi verso la Porta dei rifiuti.
3. Premere un pulsante qualsiasi per riportare la Sfera in posizione Home.

IMPORTANTE: Supervisionare il proprio gatto per evitare che entri durante il Ciclo di svuotamento, poiché l'unità potrebbe non rilevare la sua presenza quando non vi è lettiera al suo interno.

Pulizia della Sfera

1. Premere il pulsante Svuota per far compiere un ciclo in senso orario alla Sfera: tale operazione consente alla lettiera di cadere attraverso la Porta dei rifiuti nella Vaschetta dei rifiuti per facilitare lo smaltimento. Spazzare eventuali residui verso la Porta dei rifiuti. Quindi, premere Cilo o Reset per riportare la Sfera alla posizione iniziale. Assicurarsi che tutta la lettiera sia stata rimossa dalla Sfera, poiché, una volta bagnata, diventa argillosa ed è dunque più difficile da rimuovere.
2. Spegnerne il Litter-Robot e scollegare l'unità.
3. Aprire la calotta: Tenere premuti i pulsanti su entrambi i lati della calotta, quindi sollevare e ruotare la Calotta in posizione aperta.
4. Rimuovere la Sfera: Utilizzando la maniglia, sollevare la Sfera dalla Base.
5. Rimuovere il filtro a carbone.
6. Pulire la Sfera con spray o salviette detergenti per lettiera o con acqua e sapone neutro. Nella Sfera non vi sono componenti elettrici che potrebbero venire danneggiati dall'acqua e dal sapone. Nel caso in cui la Sfera si sporchi eccessivamente, è possibile sciacquarla e pulirla utilizzando un tubo dell'acqua.
7. Lasciare asciugare completamente la Sfera prima di rimontarla sulla Base e fissare la Calotta (vedere pagina 27).

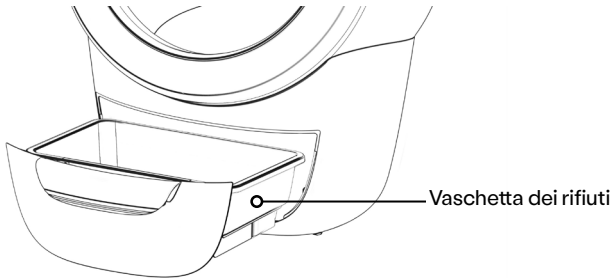


Per una pulizia veloce, è possibile utilizzare salviette detergenti Litter-Robot o una salvietta usa e getta per spolverare l'interno e la metà superiore della Sfera (senza rimuovere la lettiera). È possibile anche ruotare manualmente la Sfera in una posizione in cui la lettiera si trova dietro la griglia, consentendo l'accesso alla superficie del sacchetto della Sfera flessibile per la pulizia dei punti. Il Litter-Robot si può utilizzare quasi subito, poiché l'asciugatura è quasi istantanea.

Lo spray e le salviette detergenti Litter-Robot si possono ordinare su litter-robot.com.

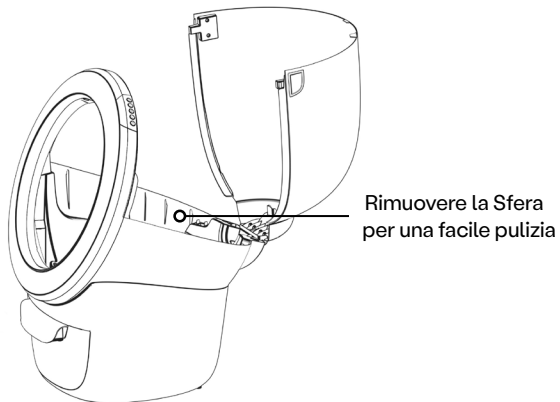
Pulizia della Vaschetta dei rifiuti

1. Estrarre la Vaschetta dei rifiuti.
2. Pulire la vaschetta con spray o salviette detergenti Litter-Robot o con acqua e sapone.



Pulizia della Base

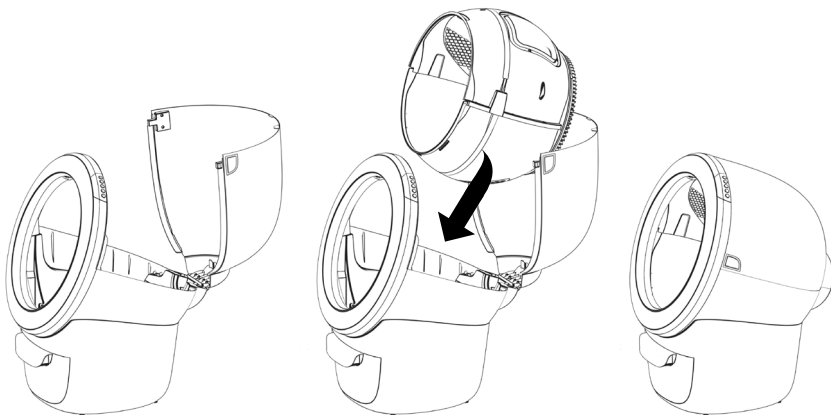
1. Non immergere, spruzzare o bagnare mai la base o il pannello di controllo. La base e il pannello di controllo contengono sensori ed elettronica.
2. Pulire le superfici della Base usando un panno inumidito con del disinfettante. Se si utilizza una soluzione spray, spruzzarla lontano dalla Base, direttamente su un panno o su della carta assorbente, in modo tale che il disinfettante non arrivi sull'elettronica.
3. Non usare candeggina.



Reinstallare la Sfera

1. Posizionare la Sfera sulla base nella posizione iniziale approssimativa. Tenendo la Sfera per la maniglia e facendola scorrere di nuovo nella base, la allinea approssimativamente nella posizione iniziale.
2. Accertarsi che la parte posteriore della Sfera sia a filo nella tasca del cuscinetto posteriore e che la pista dell'ingranaggio sia innestata al pignone del motore.
3. Ruotare la Calotta verso il basso, premendo leggermente sui lati così che la Calotta avvolga completamente la Sfera. Ciò facilita il corretto allineamento dei ganci della Calotta con le fessure nella Base. Spingere verso il basso la Calotta dall'alto e accertarsi che la Calotta sia ben salda.

Nota: l'unità non funzionerà se la Calotta non è installata.



Domande frequenti

Il mio gatto entrerà davvero nella Sfera?

In genere, i gatti sono curiosi e studiano gli oggetti a loro nuovi. I gatti che sono già abituati a una cassetta con coperchio potrebbero avvicinarsi al nuovo oggetto più rapidamente.

A tal riguardo, raccomandiamo di posizionare il Litter-Robot nello stesso punto in cui si trovava la vecchia cassetta. Per un breve periodo, è possibile lasciare la vecchia cassetta accanto al Litter-Robot. Aggiungere un bicchiere di lettiera dalla vecchia cassetta alla lettiera pulita all'interno del Litter-Robot. L'odore sarà familiare e il gatto sarà più propenso a esaminare il nuovo oggetto.

Una volta che il gatto si è avventurato al suo interno e ha percepito la lettiera sotto le sue zampe, saprà cosa fare.

I gattini possono utilizzare il Litter-Robot?

Per gattini o gatti del peso massimo di 1,36 kg, sconsigliamo di utilizzare il Litter-Robot in Modalità automatica in assenza di persone nelle vicinanze. Il loro peso ridotto e le dimensioni molto ridotte potrebbero non attivare il sistema Sensore gatto. I gatti dovrebbero pesare almeno 1,36 kg prima di utilizzare il Litter-Robot in Modalità automatica.

Raccomandiamo di lasciare il Litter-Robot spento e di farlo funzionare in modalità semi-automatica. Dopo aver notato che il gatto ha usato il Litter-Robot, accenderlo e il Litter-Robot eseguirà automaticamente un Ciclo di pulizia. Al termine del ciclo (all'incirca 2 minuti), spegnere l'unità. In questo modo, il gattino è al sicuro mentre familiarizza già da piccolo con il Litter-Robot e non è necessario pulire la cassetta!

ATTENZIONE: Lasciare il Litter-Robot spento e avviare manualmente un Ciclo di pulizia solo quando si è certi che tutti i gatti domestici abbiano raggiunto un peso sufficiente per l'attivazione del Sensore gatto.

Come mi devo comportare se il gatto non vuole usare il Litter-Robot?

Nel caso in cui tu e il tuo gatto non siate pienamente soddisfatti del prodotto, basta restituire il Litter-Robot entro 90 giorni per ottenere un rimborso totale del prezzo di acquisto. Tenere presente che l'utente è responsabile di eventuali costi di spedizione di ritorno. Contattare il Servizio clienti per richiedere un numero di Autorizzazione alla restituzione (RMA). Non accetteremo spedizioni di ritorno prive di un numero RMA.

Che cosa succede se il mio gatto prova a entrare nella Sfera mentre sta ruotando?

Il sistema Sensore gatto di Litter-Robot rileva il gatto prima che entri nella Sfera e il motore si ferma. Una volta che il gatto sarà uscito dalla Sfera, il Litter-Robot attenderà 15 secondi prima di provare a riprendere il ciclo. Vedere Sistema di rilevamento gatti OmniSense a pagina 27.

Vi sono rastrelli o cavi all'interno della Sfera?

No, la Sfera non contiene alcun rastrello o cavo che potrebbe far male o ferire il tuo gatto. Il Litter-Robot è stato progettato con la sicurezza dei gatti in mente.

Lelettronica o l'alimentazione sono pericolose per il mio gatto?

No, non vi sono componenti elettrici all'interno della Sfera. Il Litter-Robot funziona a 15 V CC con un adattatore molto simile a quelli che si usano generalmente in casa, ad esempio, per una radio sveglia o per caricare un telefono cellulare.

La Sfera ruoterà quando il mio gatto si trova al suo interno?

No, la Sfera non ruoterà quando il tuo gatto è al suo interno. Il Sensore gatto di Litter-Robot si attiva ogni volta che un gatto entra per la prima o per una seconda volta all'interno della Sfera, reimpostando il timer del conto alla rovescia per posticipare il Ciclo di pulizia di altri 7 minuti.

Che cosa succede se la Sfera si inceppa?

Nel caso in cui la Sfera si inceppi o si verifichi una condizione di sovraccarico, l'unità rileva tale condizione grazie alla funzione di Rilevazione di sovraccarico (vedere pagina 28). Inoltre, il Litter-Robot è dotato di una Funzione di sicurezza antipresa (vedere pagina 28).

Il Litter-Robot necessita di un tipo speciale di lettiera?

No, il Litter-Robot richiede semplicemente una lettiera di tipo agglomerante. Raccomandiamo l'utilizzo di una lettiera agglomerante argillosa di alta qualità. L'uso di lettiere leggere, come mais o grano, potrebbe non passare attraverso la griglia in modo efficace. Con il Litter-Robot è possibile utilizzare anche certi tipi di perline e cristalli per lettiera a base di silice gel, a patto che riescano a passare attraverso la griglia.

Le lettiere che non funzionano nel Litter-Robot sono lettiere fortemente assorbenti, non agglomeranti o a grumi, lettiere a base di giornali e lettiere assorbenti in pellet di legno.

Quanta lettiera devo mettere all'interno di Litter-Robot?

Riempire la Sfera con all'incirca 3,6-4,5 kg di lettiera, fino a raggiungere la Linea di riempimento MAX sul sacchetto della Sfera flessibile, quando distribuita uniformemente. Se nella Sfera vi è una quantità eccessiva di lettiera, questa verrà espulsa nella Vaschetta dei rifiuti durante i primi cicli. Poiché i cumuli di rifiuti vengono rimossi durante ogni singolo ciclo, non vi è alcun bisogno di aggiungere una quantità eccessiva di lettiera all'interno della Sfera.

Con quale frequenza devo aggiungere altra lettiera?

Il Litter-Robot utilizza la lettiera in maniera molto efficiente poiché il sistema di setacciamento brevettato rimuove solo i grumi. Raccomandiamo di verificare il livello della lettiera rispetto alla Linea di riempimento in rilievo (sul rivestimento della Sfera flessibile) ogni volta che si svuota la Vaschetta dei rifiuti, all'incirca una volta a settimana per un solo gatto o due volte per più gatti. Fare attenzione a non riempire eccessivamente la Sfera.

La polvere rappresenta un problema a causa della rotazione frequente della Sfera e dello spostamento della lettiera?

No, Litter-Robot è dotato di un design della griglia a basso contenuto di polvere che consente alla lettiera di passare attraverso la griglia durante un ciclo di pulizia senza creare polvere eccessiva.

Con quale frequenza devo svuotare la Vaschetta dei rifiuti?

Dipende dal numero e dalle dimensioni dei gatti che si posseggono. Solitamente, per due gatti di medie dimensioni occorrerà svuotarla due volte a settimana. Se si possiede un solo gatto, una volta a settimana è in genere sufficiente.

Con quale frequenza devo pulire l'interno della Sfera?

Questo dipende dalle preferenze personali e dal comportamento del proprio gatto. Raccomandiamo di pulire l'interno della Sfera con una frequenza di 1-3 mesi. Vedere Impiego e cura a pagina 29.

Come si pulisce l'esterno del Litter-Robot?

La pulizia dell'esterno del Litter-Robot è semplice. Per prima cosa, rimuovere la Sfera, la Calotta e la Vaschetta dei rifiuti; spruzzarli o pulirli con un detergente per lettiera o con acqua e sapone neutro oppure portarli all'aperto per una pulizia profonda con il tubo da giardino. Tutte le altre superfici possono essere pulite con un panno, ma non devono essere immerse.

ATTENZIONE: La Base e la Calotta del Litter-Robot contengono componenti elettrici che non devono essere immersi. Vedere Impiego e cura a pagina 29.

Prova a Casa per 90 Giorni

Acquista con fiducia sapendo che il tuo investimento è supportato dalla nostra prova a domicilio di 90 giorni. Se tu o il tuo gatto non siete soddisfatti del Litter-Robot, è sufficiente restituirlo per ottenere il rimborso del prezzo di acquisto. Devi solo pagare la spedizione di ritorno.

Se hai acquistato il Litter-Robot tramite una fonte diversa da AutoPets, è necessario coordinarne la restituzione con la fonte utilizzata, secondo la loro politica sulle restituzioni.

Servizio clienti Whisker

In caso di domande o se hai bisogno di assistenza, contattaci! Il supporto tramite chat è l'opzione più veloce, seguito da supporto telefonico ed e-mail. Visita il nostro sito di supporto per iniziare e risolvere i problemi.

Supporto tramite chat

whiskersupport.com

Lun-Ven: dalle 09:30 alle 17:00 EST.

Sab-Dom: dalle 09:30 alle 17:00 EST.

Indirizzo postale

Whisker

522 S. Western Ave

Juneau, WI 53039

Supporto e-mail

support@whisker.com

24 ore su 24, 7 giorni su 7

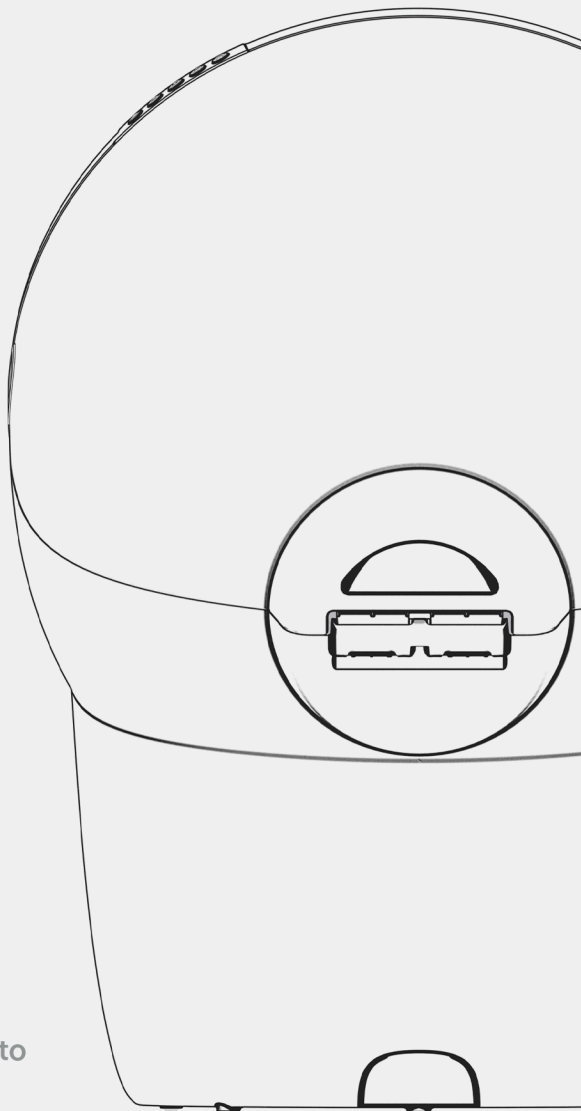
Risoluzione dei problemi online

whiskersupport.com

litter·robot® 4

by whisker

Versione: LR4-8018-0a



1080 W Entrance Dr
Auburn Hills MI 48326
Whisker.com

Progettato e assemblato
negli Stati Uniti