

6

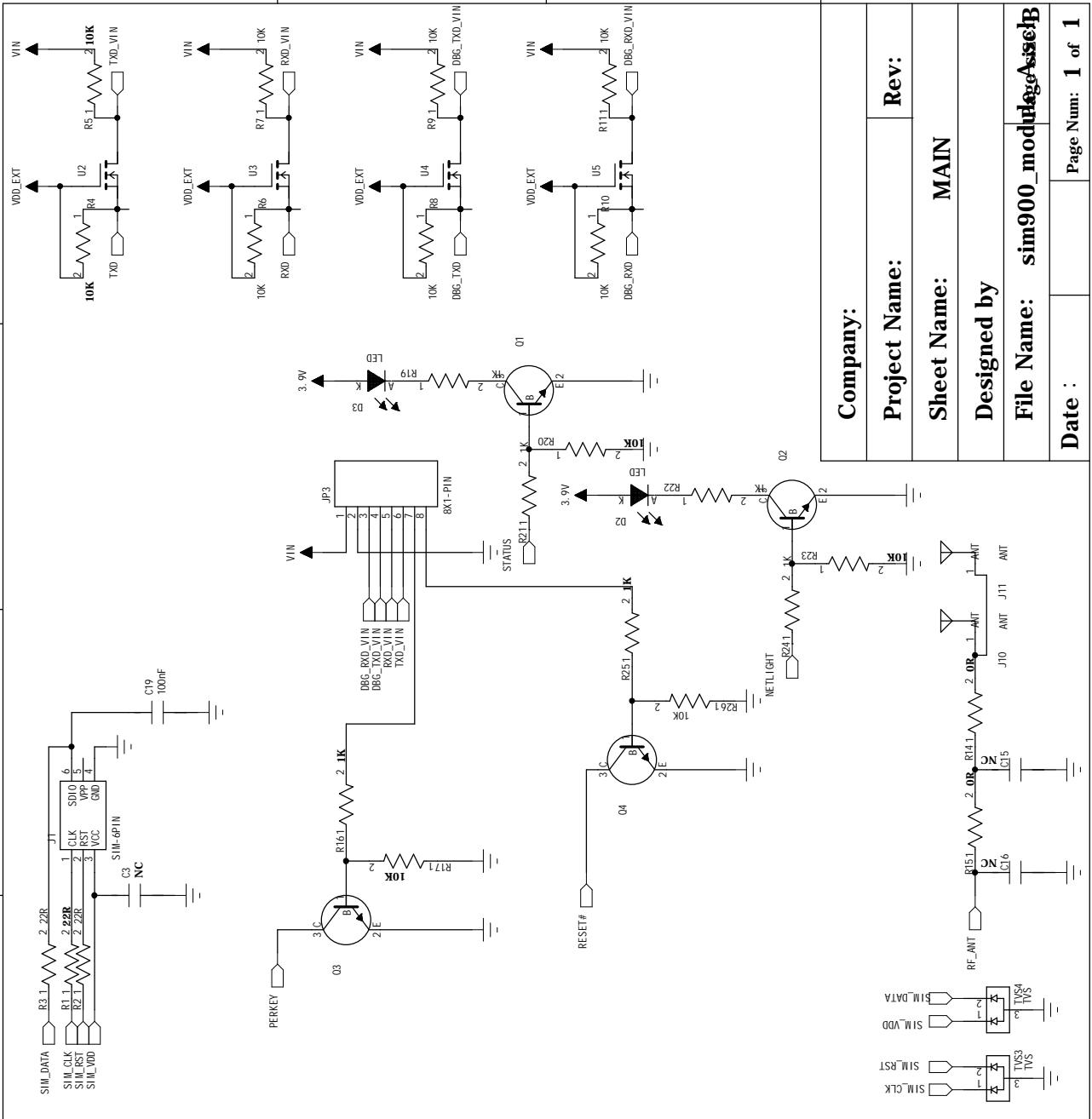
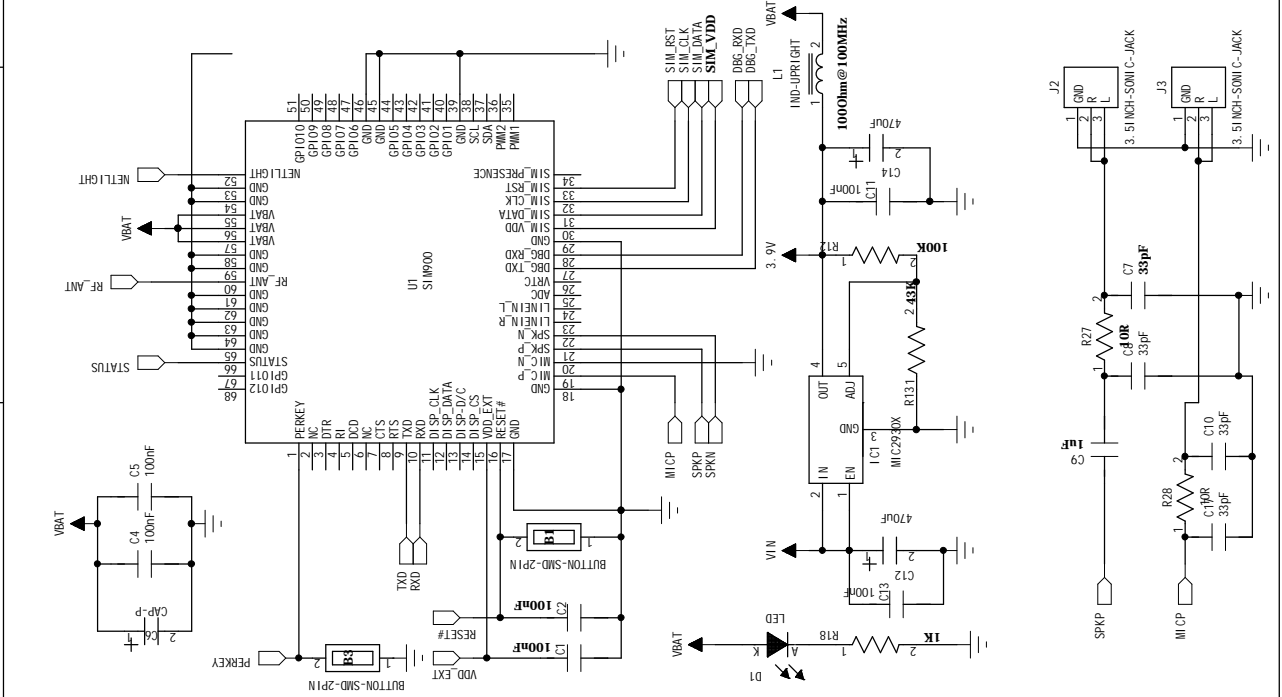
5

4

3

2

1



<b>Company:</b>	
<b>Project Name:</b>	<b>Rev:</b>
<b>Sheet Name: MAIN</b>	
<b>Designed by</b>	
<b>File Name: sim900_modpageAssesB</b>	
<b>Date :</b>	<b>Page Num: 1 of 1</b>

A

B

C

D