



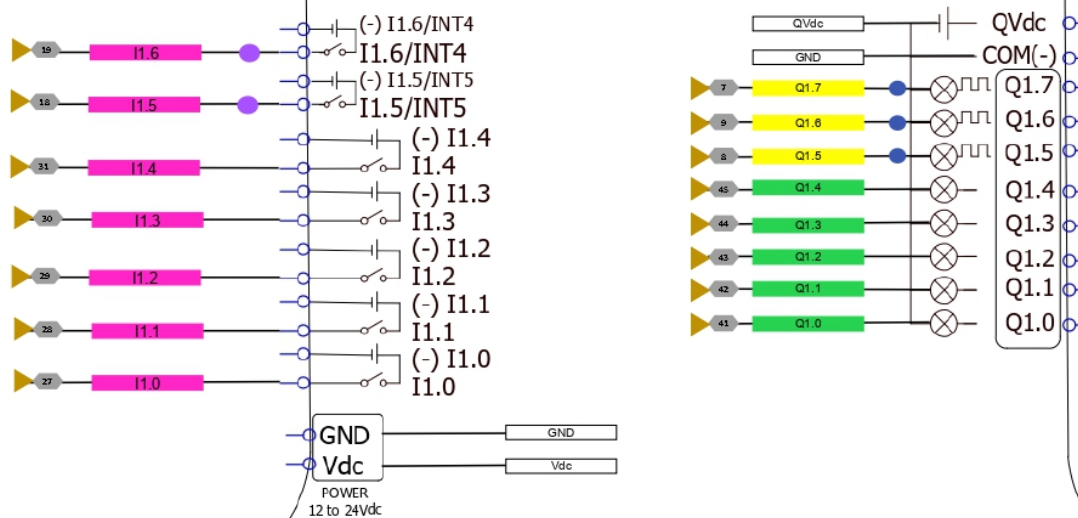
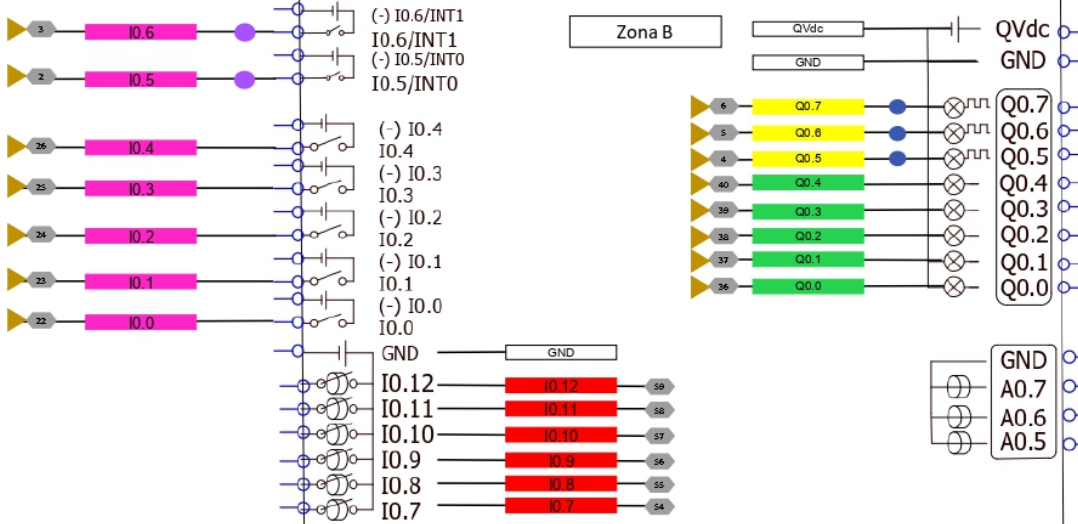
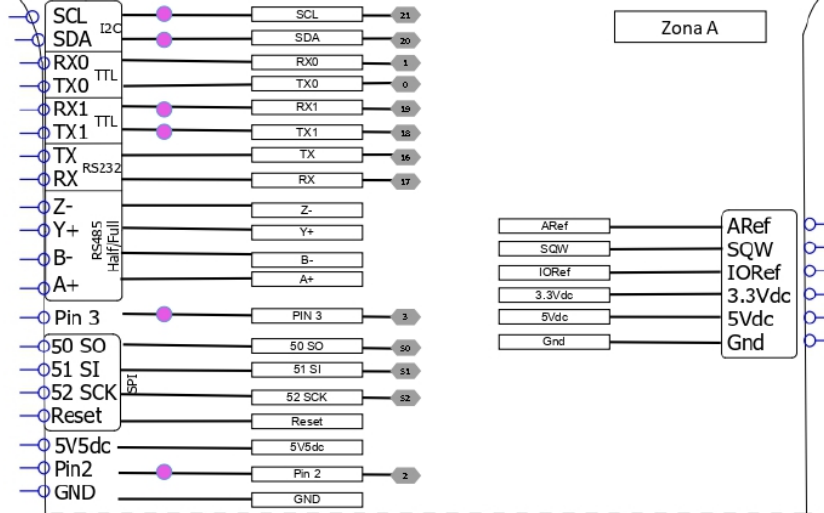
Industrial Shields

M-Duino 42+

Ethernet controller

www.industrialshields.com

- DIGITAL OUT
- DIGITAL/PWM OUT
- ANALOG OUT
- DIGITAL/ANALOG IN
- DIGITAL IN
- ANALOG/DIGITAL CONFIGURATION SWITCH
- COMMUNICATION SWITCH
- COMMUNICATION SWITCH 2
- ARDUINO PIN
- ARDBOX FUNCTION
- SWITCH CONF.
- ISOLATED



POWER 12 to 24Vdc