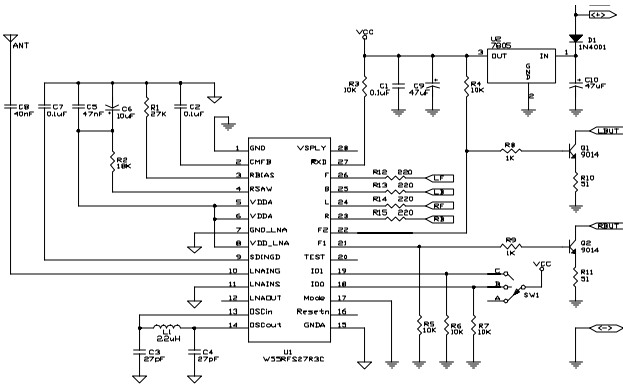
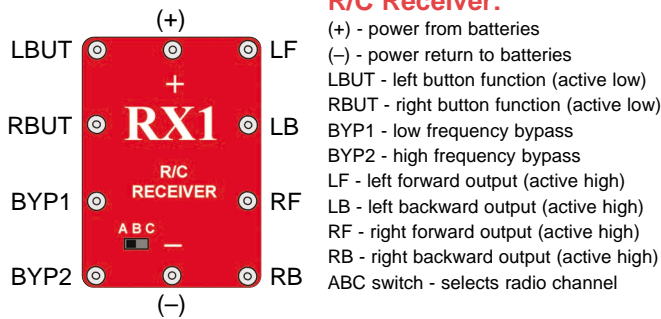


R/C Receiver

The **R/C receiver** module (only in SCROV-10 R/C Snap Rover) contains a radio receiver circuit, a specialized radio decoder integrated circuit (W55RFS27R3C or equivalent), and other supporting components. Its actual schematic is complex and looks like this:

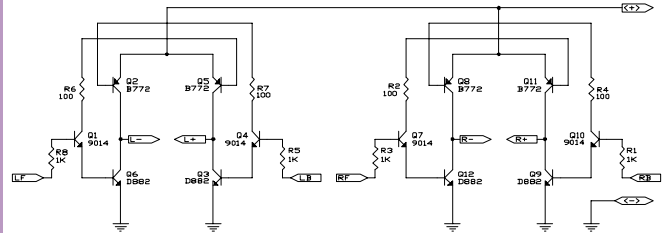


Its Snap Circuits connections are like this:

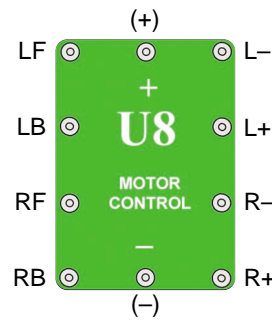


Motor Control IC

The **Motor Control IC** module (only in SCROV-10 R/C Snap Rover) contains 16 transistors and resistors that are usually needed to control the motors. Its schematic looks like this:



Its Snap Circuits connections are like this:



This module is needed because the R/C receiver module cannot provide enough power to operate the motors directly. The transistors inside also control the direction the motors spin.

R/C Transmitter



The **Remote Control Unit** (only in SCROV-10 R/C Snap Rover) contains a radio transmitter circuit, a specialized radio encoder integrated circuit (W55RFS27T3B or equivalent), and other supporting components. Its actual schematic is complex and looks like this:

