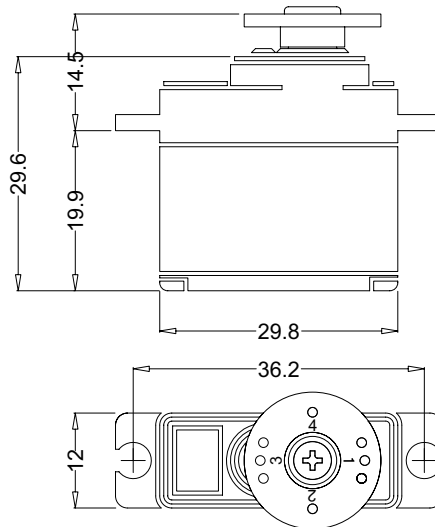


ANNOUNCED SPECIFICATION OF HS-81 SUB MICRO SERVO

1. TECHNICAL VALUES

CONTROL SYSTEM	:+PULSE WIDTH CONTROL 1500usec NEUTRAL	
OPERATING VOLTAGE RANGE	:4.8V TO 6.0V	
OPERATING TEMPERATURE RANGE	:-20°C TO +60°C	
TEST VOLTAGE	:AT 4.8V	AT 6.0V
OPERATING SPEED	:0.11sec/60° AT NO LOAD	0.09sec/60° AT NO LOAD
STALL TORQUE	:2.6kg.cm(36.10oz.in)	3kg.cm(41.66oz.in)
OPERATING ANGLE	:40°/ONE SIDE PULSE TRAVELING 400usec	
DIRECTION	:CLOCK WISE/PULSE TRAVELING 1500 TO 1900usec	
IDLE CURRENT	:8.8mA	9.1mA
RUNNING CURRENT	:220mA AT NO LOAD	280mA AT NO LOAD
DEAD BAND WIDTH	:8usec	
CONNECTOR WIRE LENGTH	:160mm (6.29in)	
DIMENSIONS	:29.8x12x29.6mm (1.17x0.47x1.16in)	
WEIGHT	:16.6g(0.58oz)	



2. FEATURES

- 3-POLE FERRITE MOTOR
- HYBRID I.C
- DIRECT POTENTIOMETER DRIVE

3. APPLICATIONS

- AIRCRAFT UP TO 15 POUNDS
- 1/10TH SCALE STEERING