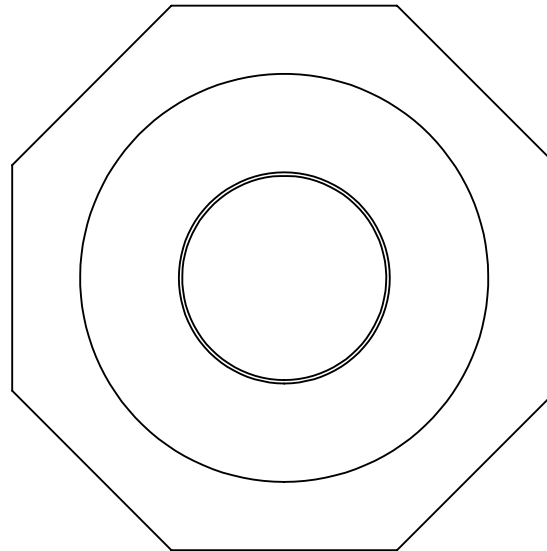
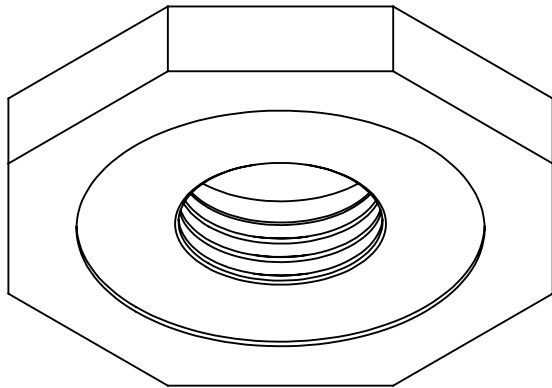
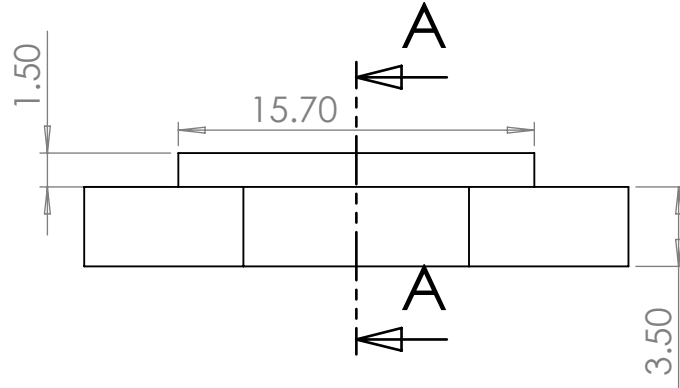
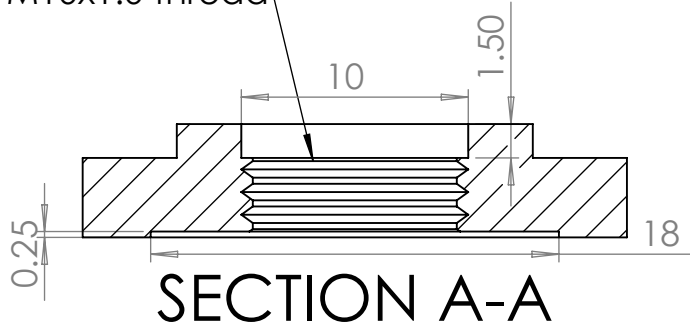


M10x1.0 thread



Blade Hub Nut R1  
FingerTech Robotics - Aug 16, 2014

Material: 6061 aluminum  
Anodized red  
Scale: 3:1 (in millimeters)