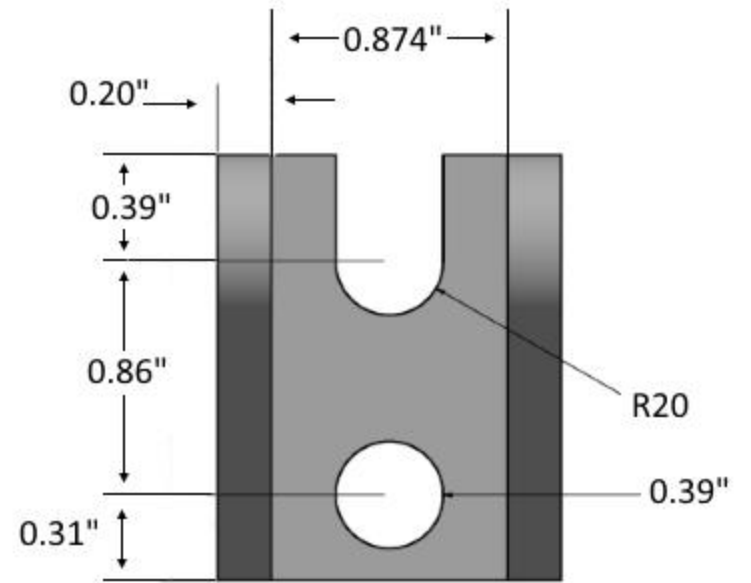
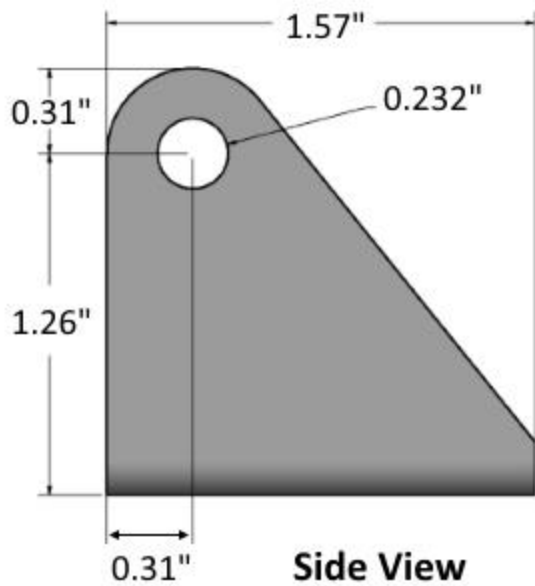


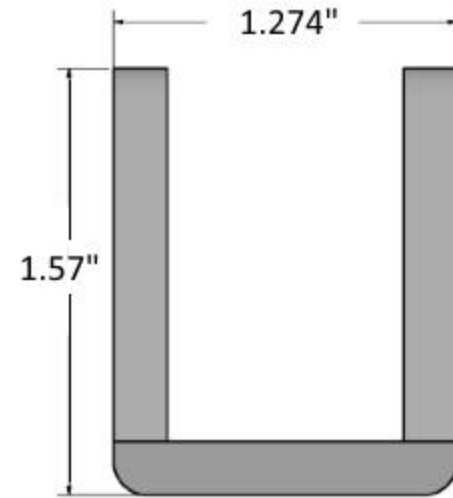
Perspective



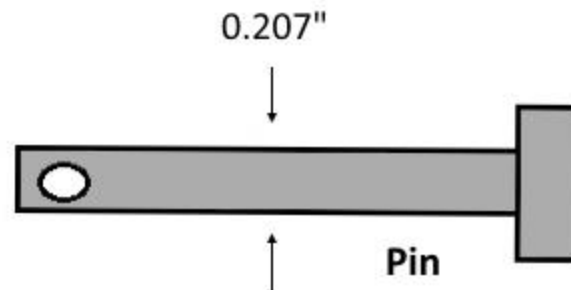
Top View



Side View



Front View



*All measurements have a tolerance of ± 0.002 "

MB1-P