



## Contents

---

<b>1. Important Safety Instructions</b> .....	2
<b>2. Package Contents and Technical Specifications</b> .....	6
2.1 Package Contents .....	6
2.2 Specifications .....	6
2.3 Product Diagram.....	7
<b>3. Operating and Programming</b> .....	9
3.1 Notes Before Cleaning .....	9
3.2 Quick Start.....	10
3.3 Cleaning Pattern and Cleaning Mode Selection.....	13
3.4 Programming the Robot .....	15
3.5 Optional Mopping System .....	15
3.6 Choosing a Suction Option.....	17
3.7 Alarm Indicator Light and Sounds .....	19
<b>4. Maintenance</b> .....	20
4.1 Dust Bin and Filters .....	20
4.2 Microfiber Cleaning Cloth and Mopping System .....	21
4.3 Main Brush, Direct Suction Option and Side Brushes .....	22
4.4 Other Components .....	23
4.5 Regular Maintenance .....	24
<b>5. Troubleshooting</b> .....	25



## 1. Important Safety Instructions

---

When using an electrical appliance, basic precautions should always be followed, including the following:

**READ ALL INSTRUCTIONS BEFORE USING THIS APPLIANCE.**

**SAVE THESE INSTRUCTIONS**

1. This Appliance can be used by children aged from 8 years and above and persons with reduced physical, sensory or mental capabilities or lack of experience and knowledge if they have been given supervision or instruction concerning use of the Appliance in a safe way and understand the hazards involved. Children shall not play with the Appliance. Cleaning and user maintenance shall not be made by children without supervision.
2. Clear the area to be cleaned. Remove power cords and small objects from the floor that could entangle the Appliance. Tuck rug fringe under the rug base, and lift items such as curtains and tablecloths off the floor.
3. If there is a drop off in the cleaning area due to a step or stairs, you should operate the Appliance to ensure that it can detect the step without falling over the edge. It may become necessary to place a physical barrier at the edge to keep the unit from falling. Make sure the physical barrier is not a trip hazard.
4. Only use as described in this manual. Only use attachments recommended or sold by the manufacturer.
5. Please make sure your power source voltage matches the power voltage marked on the Docking Station.
6. For INDOOR household use ONLY. Do not use the Appliance in outdoor, commercial or industrial environments.
7. Use only the original rechargeable battery and Docking Station provided with the Appliance from the manufacturer. Non-rechargeable batteries are prohibited. For battery information, please refer to Specifications section.
8. Do not use without dust bin and/or filters in place.



## 1. Important Safety Instructions

---

9. Do not operate the Appliance in an area where there are lit candles or fragile objects.
10. Do not use in extremely hot or cold environments (below  $-5^{\circ}\text{C}/23^{\circ}\text{F}$  or above  $40^{\circ}\text{C}/104^{\circ}\text{F}$ ).
11. Keep hair, loose clothing, fingers, and all parts of body away from any openings and moving parts.
12. Do not operate the Appliance in a room where an infant or child is sleeping.
13. Do not use Appliance on wet surfaces or surfaces with standing water.
14. Do not allow the Appliance to pick up large objects like stones, large pieces of paper or any item that may clog the Appliance.
15. Do not use Appliance to pick up flammable or combustible materials such as gasoline, printer or copier toner, or use in areas where they may be present.
16. Do not use Appliance to pick up anything that is burning or smoking, such as cigarettes, matches, hot ashes, or anything that could cause a fire.
17. Do not put objects into the suction intake. Do not use if the suction intake is blocked. Keep the intake clear of dust, lint, hair, or anything that may reduce air flow.
18. Take care not to damage the power cord. Do not pull on or carry the Appliance or Docking Station by the power cord, use the power cord as a handle, close a door on the power cord, or pull power cord around sharp edges or corners. Do not run Appliance over the power cord. Keep power cord away from hot surfaces.
19. If the power cord is damaged, it must be replaced by the manufacturer or its service agent in order to avoid a hazard.
20. The power supply is not to be repaired and not to be used any longer if it is damaged or defective.
21. Do not use with a damaged power cord or receptacle. Do not use the Appliance or Docking Station if it is not working properly, has been dropped, damaged, left outdoors, or come in contact with water. It must be repaired by the manufacturer or its service agent in order to avoid a hazard.



## 1. Important Safety Instructions

---

22. Turn OFF the power switch before cleaning or maintaining the Appliance.
23. The plug must be removed from the receptacle before cleaning or maintaining the Docking Station.
24. Remove the Appliance from the Docking Station, and turn OFF the power switch to the Appliance before removing the battery for disposal of the Appliance.
25. The battery must be removed and discarded according to local laws and regulations before disposal of the Appliance.
26. Please dispose of used batteries according to local laws and regulations.
27. Do not incinerate the Appliance even if it is severely damaged. The batteries can explode in a fire.
28. When not using the Docking Station for a long period of time, please unplug it.
29. The Appliance must be used in accordance with the directions in this Instruction Manual. ECOVACS ROBOTICS cannot be held liable or responsible for any damages or injuries caused by improper use.
30. The robot contains batteries that are only replaceable by skilled persons. To replace or remove the battery, please contact Customer Service.
31. If the robot will not be used for a long time, fully charge the robot and power OFF for storage and unplug the Docking Station.
- 32. WARNING:** For the purposes of recharging the battery, only use the detachable supply unit CH1630A provided with the appliance.
33. The Remote Control pre-installs two non-rechargeable AAA batteries. To replace the battery of the Remote Control, please turn over the Remote Control, press and remove its Battery Cover. Remove the batteries, and insert the new batteries with the correct polarity. Reassemble the Battery Cover.
34. Non-rechargeable batteries are not to be recharged.

## 1. Important Safety Instructions



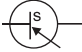

35. Different types of batteries or new and used batteries are not to be mixed.
36. Batteries of the Remote Control are to be inserted with the correct polarity.
37. Exhausted batteries are to be removed from the Appliance and safely disposed of.
38. If the Remote Control is to be stored unused for a long period, the batteries should be removed.
39. The supply terminals are not to be short-circuited.

For EU Countries



### Correct Disposal of this Product

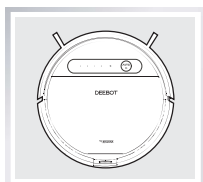
This marking indicates that this product should not be disposed of with other household wastes throughout the EU. To prevent possible harm to the environment or human health from uncontrolled waste disposal, recycle it responsibly to promote the sustainable reuse of material resources. To recycle your used device, please use the return and collection systems or contact the retailer where the product was purchased. They can safely recycle this product.

	Class II
	Short-circuit-proof safety isolating transformer
	Switch mode power supply
	For indoor use only

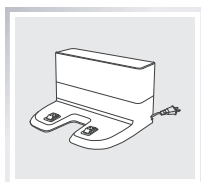


## 2. Package Contents and Technical Specifications

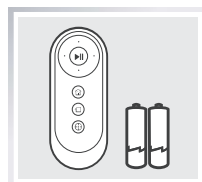
### 2.1 Package Contents



Robot



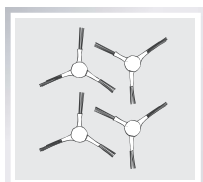
Docking Station



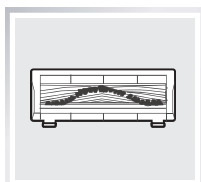
Remote Control with Batteries



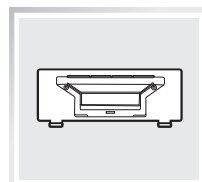
Instruction Manual



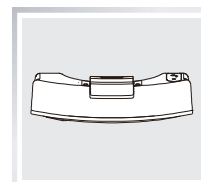
(4) Side Brushes



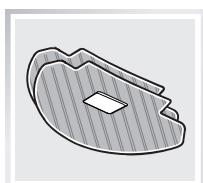
Main Brush Option  
(Pre-installed)



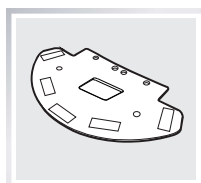
Direct Suction Option



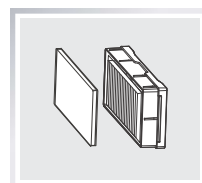
Reservoir



(2) Washable/Reusable  
Microfiber Cleaning Cloths



Cleaning Cloth Plate



Sponge Filter and  
High Efficiency Filter

### 2.2 Specifications

<b>Model</b>	<b>DD4G, DD4G.**(*=0-9)</b>		
Working Voltage	12V DC	Rated Power	40W
<b>Docking Station Model</b>	<b>CH1630A</b>		
Rated Input Voltage	100-240V AC	Rated output voltage	20V DC
Rated Output Current	0.8A	Rated power	25W
<b>Remote Control Model</b>	<b>RC1633</b>	Input Voltage	3V DC
<b>Remote Control Battery Type</b>	<b>AAA</b>	Nominal Voltage	1.5V DC
<b>Battery</b>	DM88-BYD 3000mAh		
Frequency bands	2412-2472MHz		
Maximum RF power transmitted in the frequency band	Max PA output power at 72.2 Mbps: 17.5 dBm		
	Max PA output power in 11b mode: 21.5 dBm		

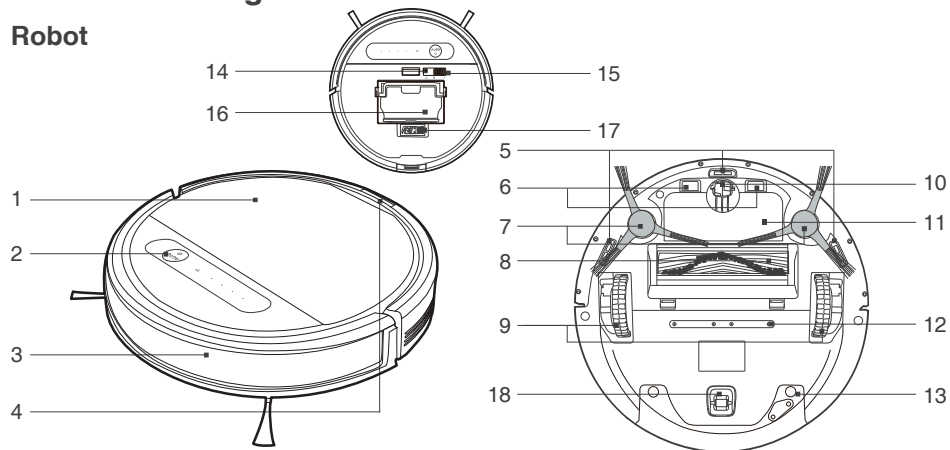
Output power of the WIFI module is less than 100mW.

\* Technical and design specifications may be changed in the course of continuous product improvement.

## 2. Package Contents and Technical Specifications

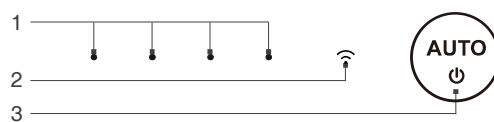
### 2.3 Product Diagram

#### Robot



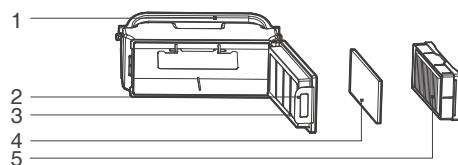
- |                                       |                      |                                  |
|---------------------------------------|----------------------|----------------------------------|
| 1. Cover                              | 7. Side Brushes      | 14. RESET Button                 |
| 2. AUTO Mode Button                   | 8. Main Brush Option | 15. Power Switch                 |
| 3. Bumper with Anti-Collision Sensors | 9. Driving Wheels    | 16. Dust Bin                     |
| 4. Reservoir Release Button           | 10. Universal Wheel  | 17. Multi-Function Cleaning Tool |
| 5. Anti-Drop Sensors                  | 11. Battery Pack     | 18. Roller Wheel                 |
| 6. Charging Contacts                  | 12. Water Outlets    |                                  |
|                                       | 13. Reservoir        |                                  |

#### Control Panel



- |                           |
|---------------------------|
| 1. Status Indicator Light |
| 2. Wi-Fi Indicator Light  |
| 3. AUTO Mode Button       |

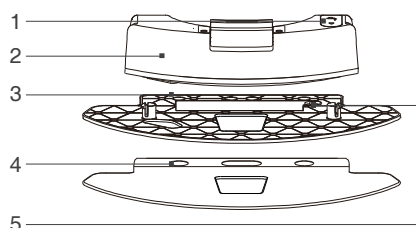
#### Dust Bin



- |                           |
|---------------------------|
| 1. Dust Bin Handle        |
| 2. Dust Bin Lock          |
| 3. Filter Net             |
| 4. Sponge Filter          |
| 5. High Efficiency Filter |

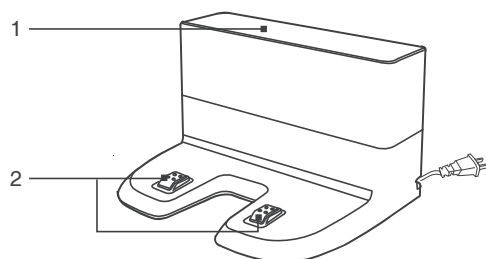
## 2. Package Contents and Technical Specifications

### Advanced Mopping System



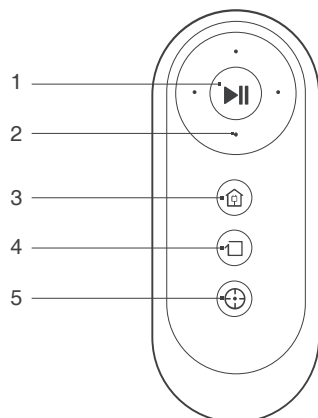
1. Water Inlet
2. Reservoir
3. Cleaning Cloth Plate
4. Washable/Reusable Microfiber Cleaning Cloth
5. Magnet

### Docking Station



1. Infrared Signal Generator
2. Docking Station Pins

### Remote Control



1. START/PAUSE Button
2. Direction Control Buttons
3. Return to Charger Mode Button
4. Edge Cleaning Mode Button
5. Spot Cleaning Mode Button



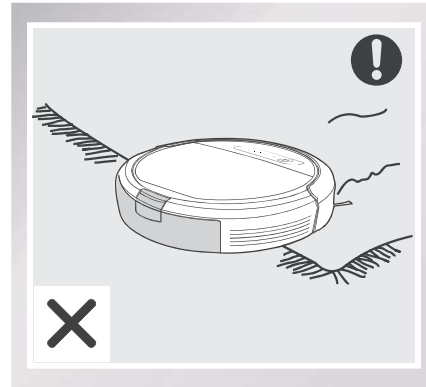
### 3. Operating and Programming

#### 3.1 Notes Before Cleaning

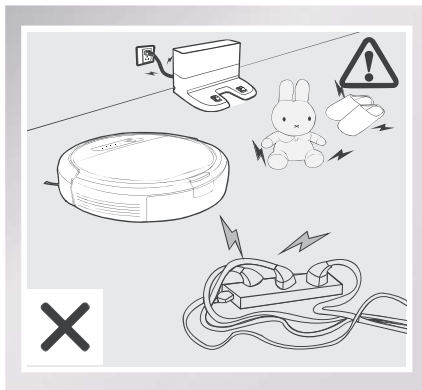
Before operating DEEBOT, take a few moments to survey the area to be cleaned and remove any obstacles.



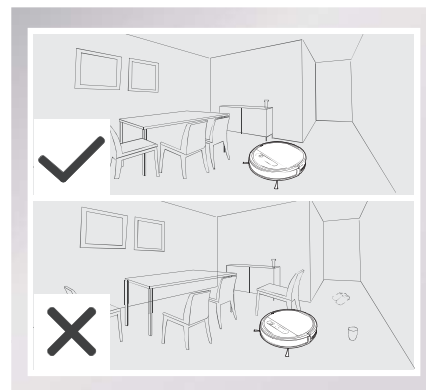
Please take care of DEEBOT and assist it at its first time of cleaning.



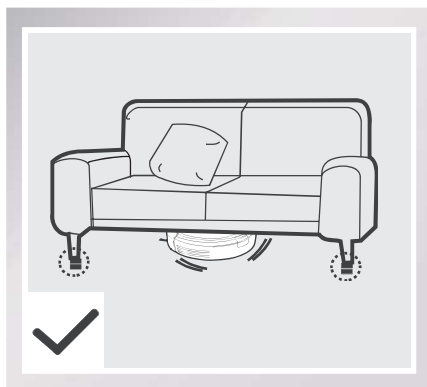
Before using the product near an area rug or on a short-pile area rug with tasseled edges, please fold area rug edges under themselves.



Remove power cords and small objects from the floor that could entangle the product, and tidy up the cleaning area to put furniture like chairs in their proper place.

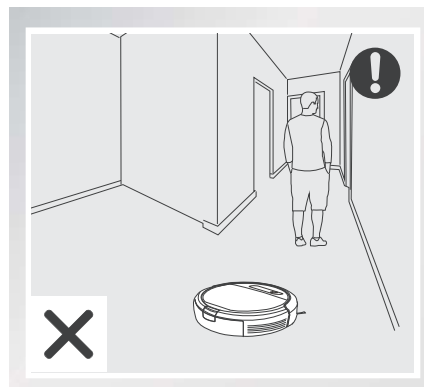


### 3. Operating and Programming

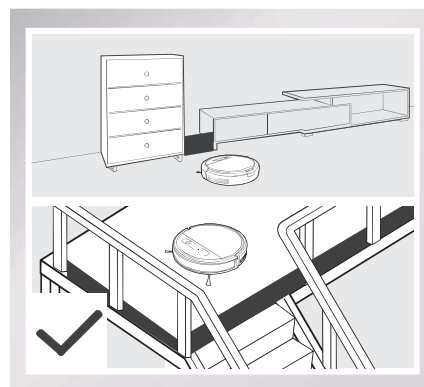


Please be aware that the robot needs at least an 8 cm (3.1") clearance to clean under furniture without complications.

If there is a step or stairs in the cleaning area, please operate DEEBOT to ensure its Anti-Drop Sensors can detect the drop off. It may be necessary to place a physical barrier at the edge of the drop off to keep the unit from falling over the edge.

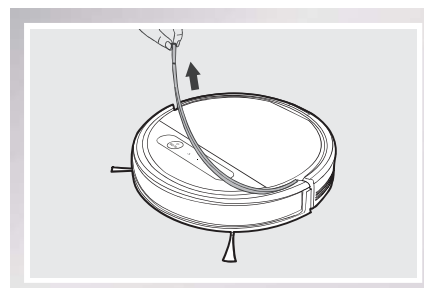


Please do not stand in narrow spaces, such as hallways, or DEEBOT may fail to identify the area to be cleaned.



#### 3.2 Quick Start

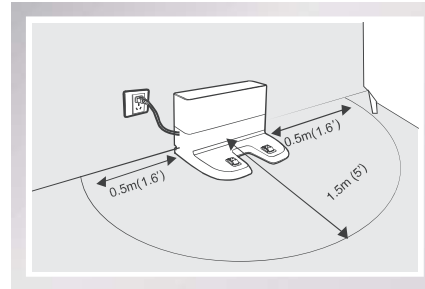
- \* Remove the protective strip from the robot's Bumper before use.



## 3. Operating and Programming

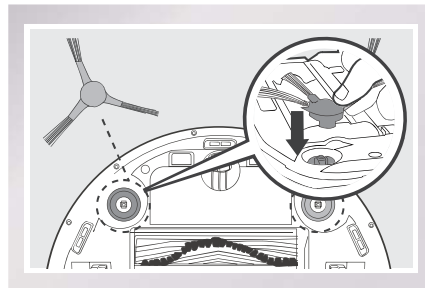
### 1 Docking Station Placement

- Place the Docking Station on a level floor surface against the wall with the base perpendicular to the ground. Keep the immediate area 1.5m (5') in front of the charger and 0.5m (1.6') on both sides of the charger clear of objects and reflective surfaces.
- Plug the Docking Station in.



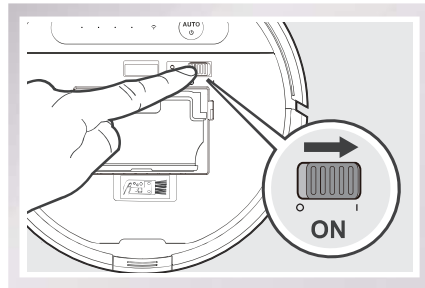
### 2 Install Side Brushes

- Attach Side Brushes to the bottom of DEEBOT by pressing a brush into each slot with the matching color until it clicks.



### 3 Power ON

- Open the robot's Top Cover. Turn the robot's Power Switch to the ON position. DEEBOT is powered ON when DEEBOT emits a musical sound and the AUTO Mode Button stays illuminated.

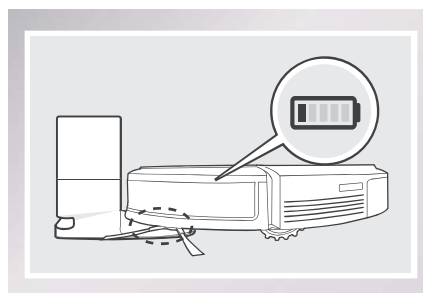


\* When DEEBOT is not cleaning, it is suggested to keep it powered ON and charging instead of powered OFF.

## 3. Operating and Programming


### 4 Charge DEEBOT

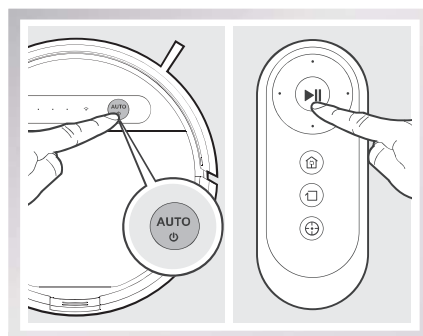
- Place DEEBOT on the Docking Station making sure the Charging Contacts on DEEBOT and the Docking Station Pins make a connection.
- Charge DEEBOT for at least 4 hours before the first use.




- \* Make sure to turn the robot's Power Switch to the ON position before charging.
- \* AUTO Mode Button blinks when DEEBOT is charging. AUTO Mode Button stops glowing when DEEBOT is fully charged.
- \* When DEEBOT completes the cleaning cycle or when battery power gets low, DEEBOT automatically returns to the Docking Station to recharge itself. DEEBOT can also be sent back to the Docking Station at any time by pressing the Return to Charger Button on the Remote Control.
- \* Empty any remaining water from the Reservoir and remove the Cleaning Cloth Plate before charging DEEBOT.

### 5 Start

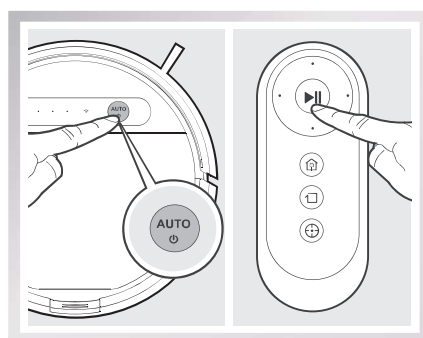
- Press the AUTO Mode Button on DEEBOT or  on the Remote Control. DEEBOT starts to work immediately in AUTO Cleaning Mode.



### 6 Pause

- Pause DEEBOT by pressing the AUTO Mode Button on DEEBOT or  on the Remote Control.

- \* DEEBOT can be directed to move forward, backward, left and right using the Direction Control Buttons on the Remote Control when it is Paused.
- \* The AUTO Mode Button on the robot's Control Panel stops glowing after the robot is paused for more than 10 minutes. Press AUTO Mode Button on the robot or press any button on the Remote Control to wake up the robot.

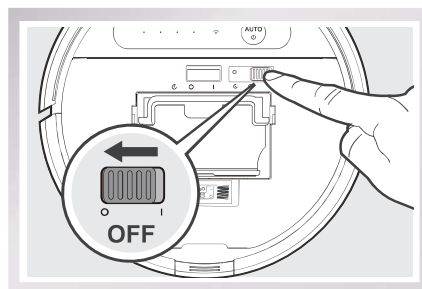


## 3. Operating and Programming

### 7 Power OFF

- Pause DEEBOT. Open the robot's Top Cover. Move the Power Switch to the OFF position.

\* When DEEBOT is not cleaning, it is suggested to keep it powered ON and charging.



+ For models with app-connectivity, various functions can be performed using the ECOVACS App.

### 3.3 Cleaning Pattern and Cleaning Mode Selection

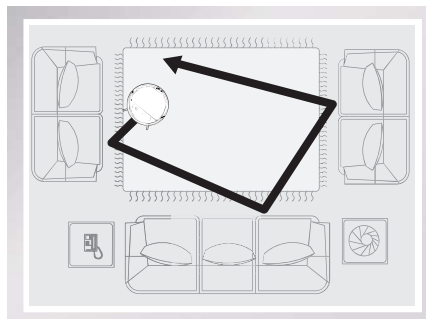
DEEBOT has 2 Cleaning Patterns and several cleaning modes to choose from to effectively clean different floors. Cleaning Patterns and Cleaning modes are selected using the Remote Control or ECOVACS App.

#### Set Cleaning Pattern

Set the cleaning pattern based on floor types.

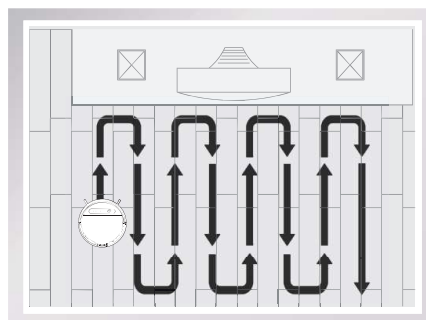
#### Random Cleaning Pattern

Random Cleaning Pattern should be set when cleaning carpet. In Random Pattern, DEEBOT cleans in a straight line and changes directions when it meets an obstacle.



#### Programmed Cleaning Pattern (Default Pattern)

Programmed Cleaning Pattern is the robot's default pattern and should be set when cleaning bare floors. In Programmed Cleaning Pattern the robot plans the most efficient route, cleans in a back and forth straight-line pattern, returns to clean missed spots, then cleans room edges before completing the cleaning cycle.

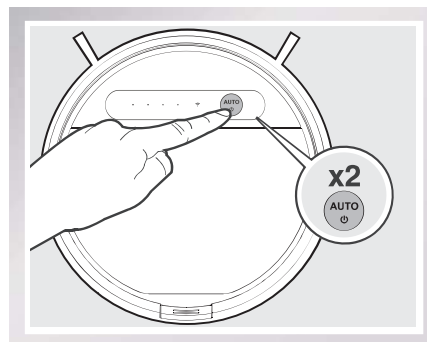


### 3. Operating and Programming

#### When Programmed Cleaning Pattern is Set:

- \* DEEBOT automatically conducts route planning when cleaning. If the robot is paused, moved manually or directed by the Remote Control during cleaning, DEEBOT will reconfigure the route and restart. Therefore, avoid using the Remote Control or moving DEEBOT manually when it is cleaning to ensure efficiency.
- \* DEEBOT may pause temporarily to recalculate its cleaning path. This is normal. Please be patient, the frequency and duration of the pause is determined by room complexity.
- \* If the cleaning environment contains both bare floors and carpet, barriers (for example a closed door) should be set between different floor types and cleaning patterns should be set accordingly. If both floor types are to be cleaned in one cleaning cycle, Random Cleaning Pattern should be set.

Double-click the AUTO Button on the robot. Cleaning Pattern is switched when DEEBOT emits two beeps.



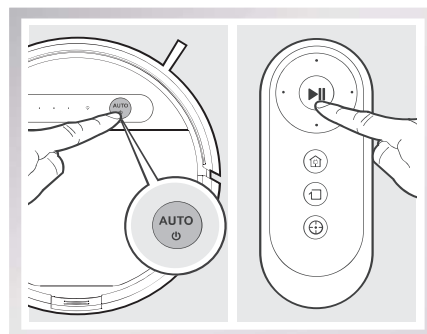
Cleaning Patterns can also be set using the ECOVACS App. DEEBOT uses the set Cleaning Pattern when cleaning in AUTO Cleaning Mode.

#### Select Cleaning Mode

##### 1 AUTO Cleaning Mode

This is the most commonly used mode and is good for every day cleaning.

- \* AUTO Cleaning Mode cleans using the Cleaning Pattern set in the previous step. Random Cleaning Pattern is best for carpet. Programmed Cleaning Pattern is best for bare floors.
- \* When the cleaning cycle is complete, DEEBOT returns to the Docking Station.

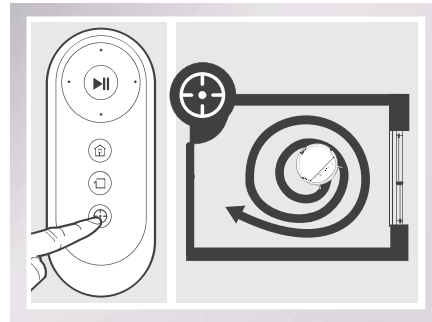


- \* Use the App to increase the suction power of the robot when in AUTO Cleaning Mode. Press in the App fro MAX suction power. Press to switch back to standard suction power. Enabling MAX suction power will consume more battery power.

## 3. Operating and Programming

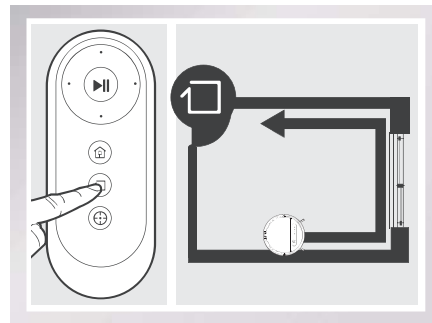
### 2 Spot Cleaning Mode (1-5 minutes)

This mode is applicable for an area of highly concentrated dirt or dust. In Spot Cleaning Mode, DEEBOT focuses on a specific area to clean.



### 3 Edge Cleaning Mode

This mode is good for cleaning the edges and corners of a room. In Edge Cleaning Mode, DEEBOT cleans along a border (e.g. wall).



### 3.4 Programming the Robot

DEEBOT can be programmed weekly to clean multiple times per day at specific times using the ECOVACS App.

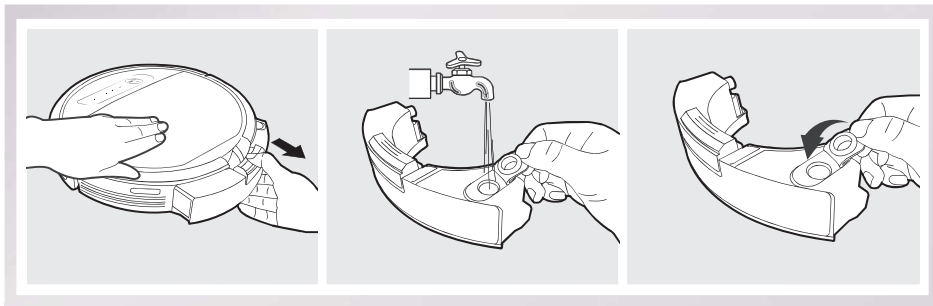
### 3.5 Optional Mopping System

DEEBOT has an optional Mopping System using a Washable/Reusable Microfiber Cleaning Cloth and Cleaning Cloth Plate attached to a proprietary Reservoir. The washable/reusable Cleaning Cloth automatically damp mops the floor to a spotless clean.

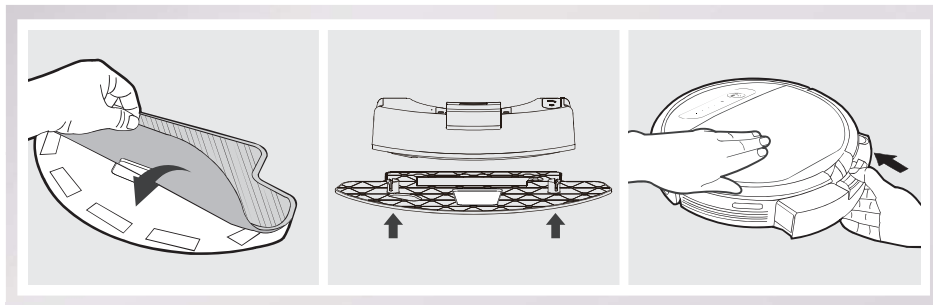
- \* Empty the Reservoir and remove the Cleaning Cloth Plate before cleaning on carpet.
- \* When using the mopping system, fold area rug edges under themselves so DEEBOT will avoid the rug.
- \* After DEEBOT finishes mopping, empty any remaining water from the Reservoir.
- \* Empty any remaining water from the Reservoir and remove the Cleaning Cloth Plate before charging DEEBOT.
- \* Always keep the Reservoir installed when the robot is cleaning or charging.

### 3. Operating and Programming

#### 1 Add Water into the Reservoir.

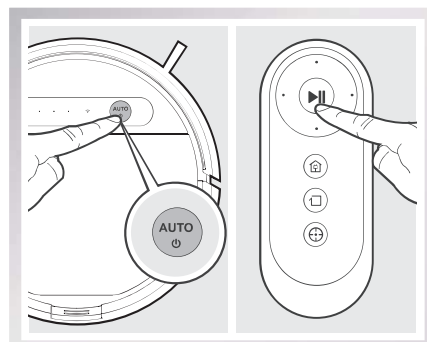


#### 2 Attach Cleaning Cloth; Install the Cleaning Cloth Plate and the Reservoir.



#### 3 Start

Select the desired Cleaning Mode. DEEBOT sweeps, lifts, vacuums and mops in the selected mode.





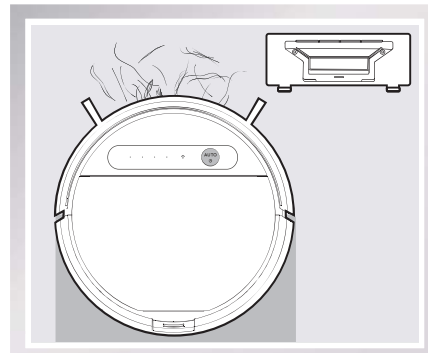
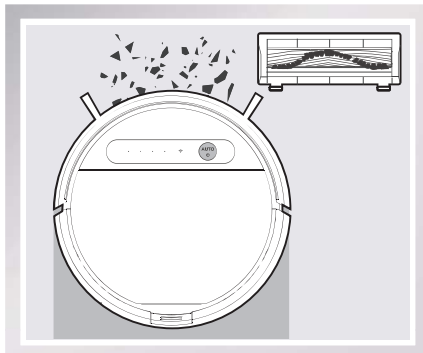
## 3. Operating and Programming

### 3.6 Choosing a Suction Option

The robot has 2 interchangeable suction options for your convenience.

**Main Brush Option:** The best choice for deep cleaning with a combination of the Main Brush and strong suction. The Main Brush Option comes pre-installed in DEEBOT.

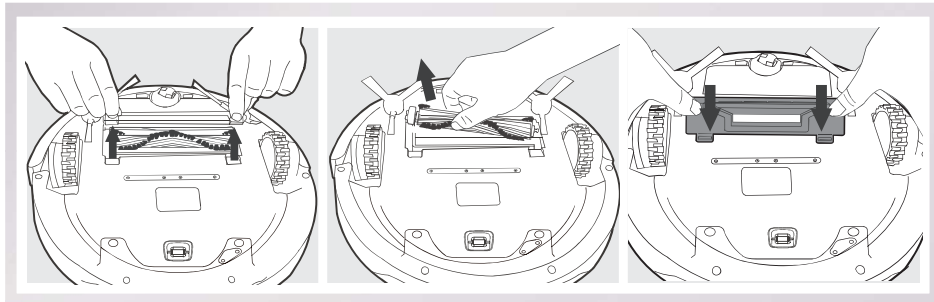
**Direct Suction Option:** The best choice for daily cleaning with the Main Brush removed for direct suction. This Suction Option is specifically designed to pick up hair without tangling.



#### Install the Direct Suction Option

Turn the robot over. Push both buttons on the Main Brush Option and remove the Main Brush Cover. Remove the Main Brush.

Line up the Direct Suction Option tabs with the slots on the bottom of the robot. Press until the component clicks into place.



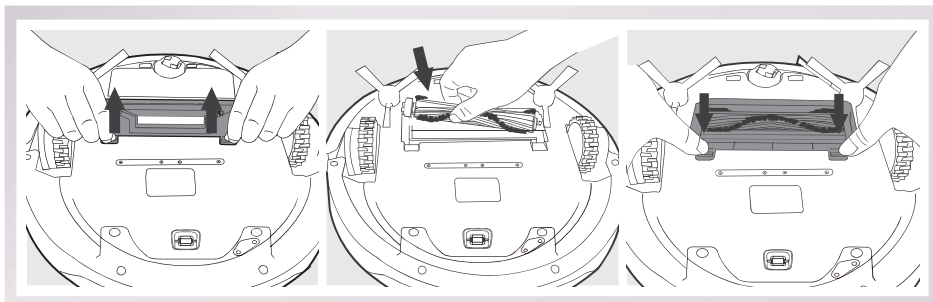
### 3. Operating and Programming

---

#### Install the Main Brush Option

Turn the robot over. Push both buttons on the Direct Suction Option and remove Direct Suction Option. Insert the Main Brush into the bottom of the robot.

Line up the Main Brush Cover tabs with the slots on the bottom of the robot. Press until the component clicks into place.





## 3. Operating and Programming

### 3.7 Alarm Indicator and Sounds

If DEEBOT detects a problem and needs your assistance, it emits alarm beeps or the Status Indicator Light illuminates.

Alarm Sound	Indicator Light	Problems	Solution
/	Status Indicator Light flashes twice and goes out once DEEBOT is powered ON.	DEEBOT has low battery.	Power ON the robot. Manually place the robot on the Docking Station and charge.
One Beep	Status Indicator Light flashes RED.	Driving Wheel Malfunction	Check Driving Wheels for tangled hair or debris and clean.
Two Beeps	Status Indicator Light flashes RED.	Main Brush Malfunction	Check Main Brush for tangled hair or debris and clean.
Three Beeps	Status Indicator Light flashes RED.	Driving Wheel Malfunction	Turn over the robot. Press Driving Wheels to check for a clicking sound. If they do not click, please contact Customer Service.
		DEEBOT gets into trouble while working and stops.	Manually remove the obstacles and restart DEEBOT.
Four Beeps	Status Indicator Light flashes RED.	Dust Bin Malfunction	Remove the Dust Bin and re-install it properly. If the robot still emits the alarm, please contact Customer Service.
Five Beeps	Status Indicator Light flashes RED.	Low Battery	Manually place the robot on the Docking Station to charge.
Six Beeps	Status Indicator Light flashes RED.	Side Brush Malfunction	Check Side Brush for tangled hair or debris and clean.
Seven Beeps	Status Indicator Light flashes RED.	Anti-Drop Sensor Malfunction	Check Anti-Drop Sensors for dust and clean.
Eight Beeps	Status Indicator Light flashes RED.	DEEBOT is powered OFF while charging.	Power ON the robot.

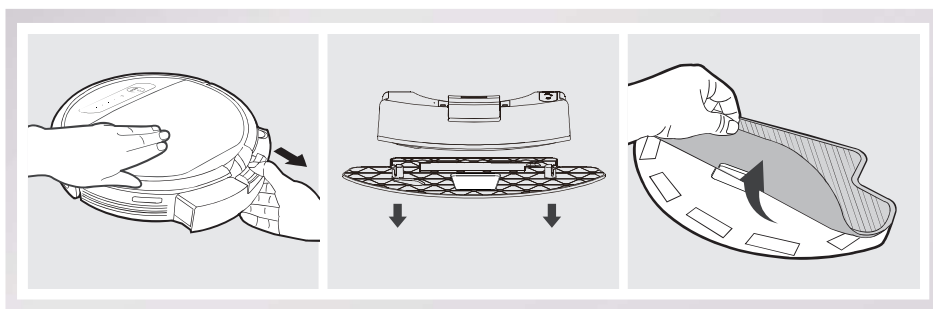
## 4. Maintenance

Before performing cleaning and maintenance, power OFF DEEBOT and unplug the Docking Station.

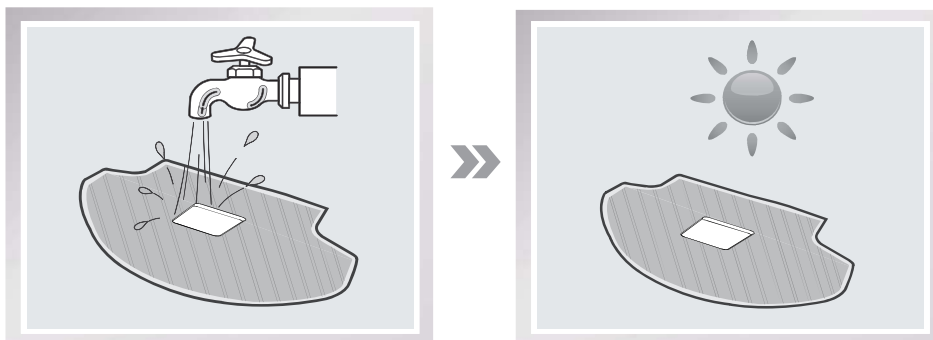
### 4.1 Mopping System

After DEEBOT finishes mopping, remove the Reservoir from DEEBOT, and maintain the Reservoir, the Cleaning Cloth and the Cleaning Cloth Plate immediately.

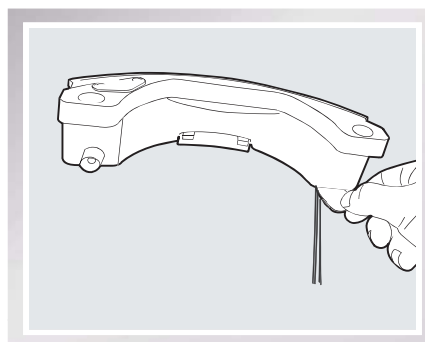
Press the Release Button and pull to remove the Reservoir. Remove the Cleaning Cloth Plate and the Cleaning Cloth.



Wash the Cleaning Cloth and lay flat to dry.

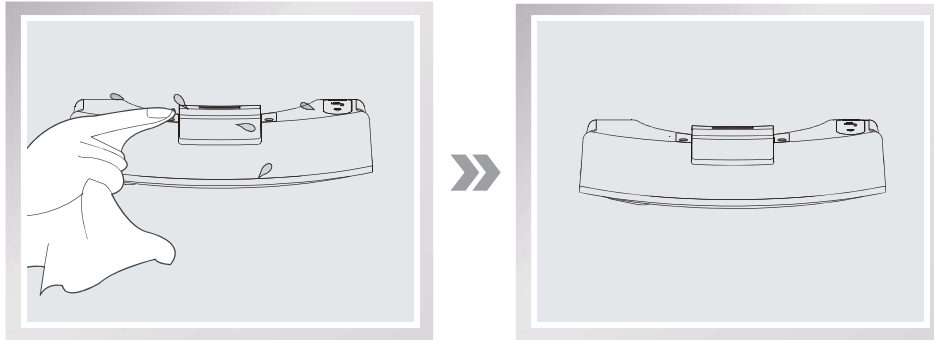


Empty any remaining water from the Reservoir.



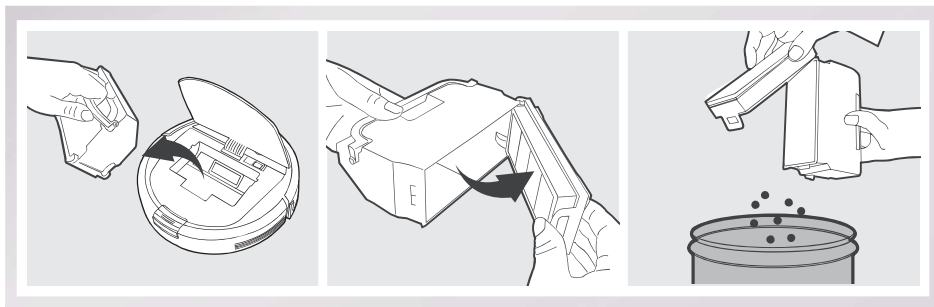
## 4. Maintenance

Wipe the outside of the Reservoir with a dry cloth and lay flat to dry. Avoid direct sunlight.

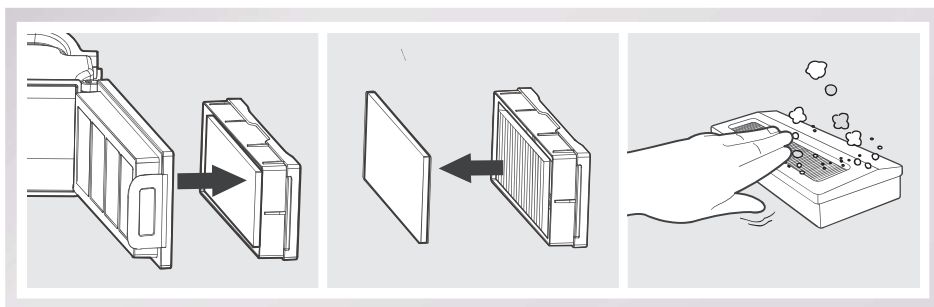


### 4.2 Dust Bin and Filters

Open the robot's Top Cover and remove the Dust Bin. Open the Dust Bin Cover and empty the Dust Bin.

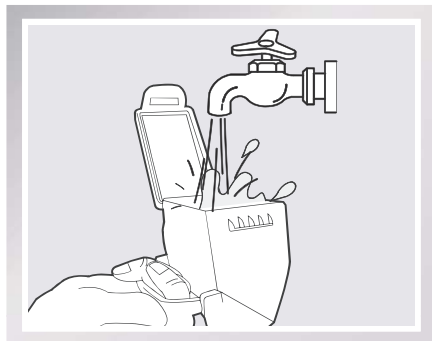


Remove the filters. Pat the High Efficiency clean. Do not rinse the High Efficiency Filter under water.

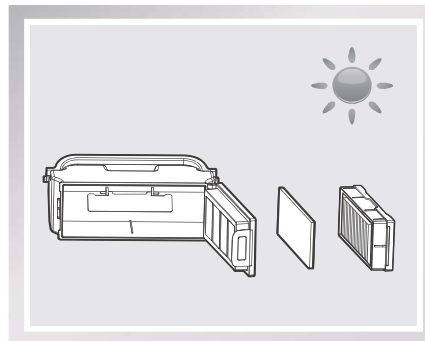


## 4. Maintenance

Rinse the Sponge Filter, Dust Bin and Filter Net under running water.



Dry the Dust Bin and filters completely before reinstalling.

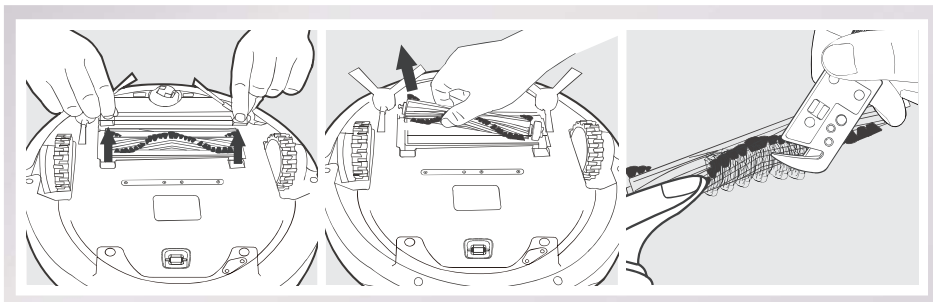


### 4.3 Main Brush, Direct Suction Option and Side Brushes

\* A Multi-Function Cleaning Tool is provided for easy maintenance. Handle with care, this cleaning tool has sharp edges.

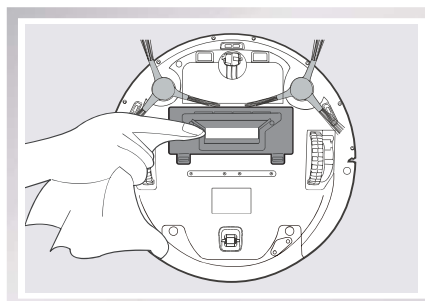
#### Main Brush

Turn the robot over. Push both buttons on the Main Brush Option and remove the Main Brush cover. Remove the Main Brush. Use the Multi-Function Cleaning Tool to cut off and remove any hair tangled around the Main Brush. Clean any tangled hair or debris from the Main Brush.



#### Direct Suction Option

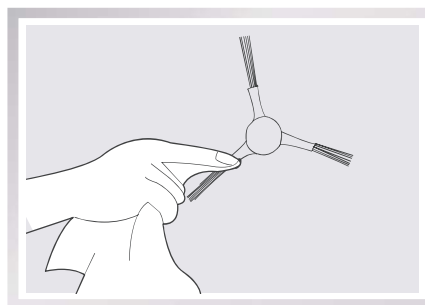
Wipe the Direct Suction Option clean with a dry cloth.



## 4. Maintenance

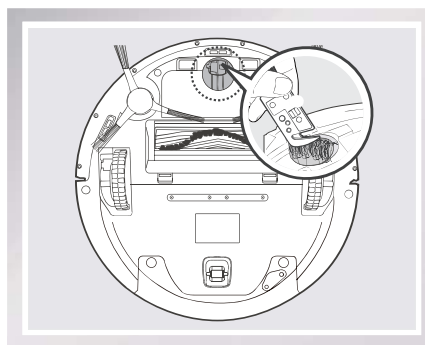
### Cleaning the Side Brushes

Remove the Side Brushes. Remove any hair or debris tangled around the Side Brushes with the provided Multi-Function Cleaning Tool, and wipe their slots with a clean cloth.

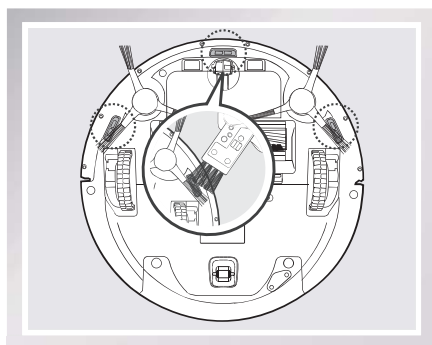


### 4.4 Other Components

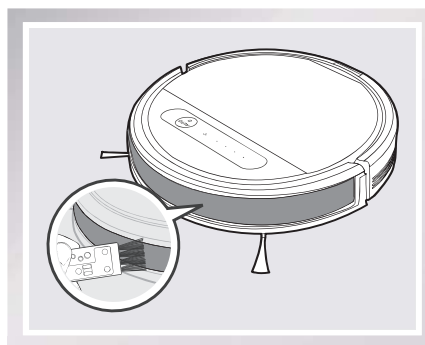
Use the Multi-Function Cleaning Tool to cut off and remove any hair tangled around the Universal Wheel.



Wipe the Anti-Drop Sensors with the brush of the Multi-Function Cleaning Tool to maintain their effectiveness.

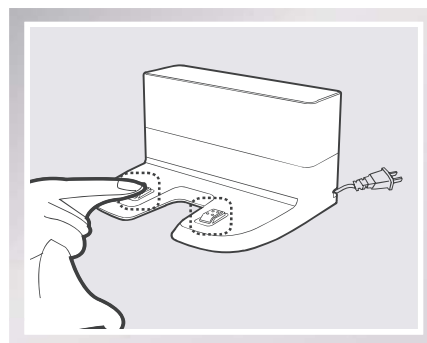
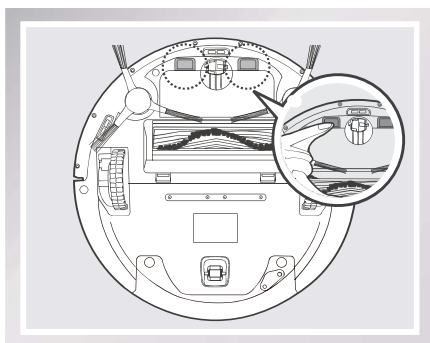


Wipe the Bumper with the brush of the Multi-Function Cleaning Tool.



## 4. Maintenance

Wipe the robot's Charging Contacts and Docking Stations Pins with a dry cloth to maintain their effectiveness.



### 4.5 Regular Maintenance

To keep DEEBOT running at peak performance, perform the maintenance and replacement according to the following frequency. A multi-Function Cleaning Tool is provided for easy maintenance. Handle with care, this cleaning tool has sharp edges.

Robot Part	Maintenance Frequency	Replacement Frequency
Cleaning Cloth	After each use	Every 50 washings
Dust Bin/Reservoir/ Cleaning Cloth Plate	After each use	/
Side brush	Once every 2 weeks	Every 3-6 months
Main Brush	Once per week	Every 6-12 months
Sponge Filter/ High Efficiency Filter	Once per week (twice per week with pets in home)	Every 4-6 months
Universal Wheel Anti-Drop Sensors Bumper Charging Contacts Docking Station Pins	Once per week	/

**Note:** ECOVACS manufactures various replacement parts and assemblies. Please contact Customer Service for more information on replacement parts.





## 5. Troubleshooting

Please use this chart to troubleshoot common problems using DEEBOT.

No.	Malfunction	Possible Causes	Solutions
1	DEEBOT will not charge.	DEEBOT is not powered ON.	Move the robot's Power Switch to the ON position.
		DEEBOT has not made a connection with the Docking Station.	Be sure that the robot's Charging Contacts have made a connection with the Docking Station Pins. You may move the robot manually to make the connection if necessary.
		Docking Station is unplugged while DEEBOT is powered ON, which causes battery consumption.	Plug in the Docking Station and ensure DEEBOT is powered ON. Keep DEEBOT on the Docking Station to make sure it has full battery to work at any time.
		The battery is completely discharged.	Re-activate the battery. Place DEEBOT on the Docking Station by hand, remove after charging for 3 minutes, repeat 3 times; then charge normally.
2	DEEBOT cannot return to the Docking Station.	The Docking Station is not placed properly.	Refer to section 3.2 to place the Docking Station properly.
3	DEEBOT gets into trouble while working and stops.	DEEBOT is tangled with something on the floor (electrical cords, drooping curtains, area rug fringe etc.).	DEEBOT will try various ways to get itself out of trouble. If it is unsuccessful, check the Side Brushes and remove anything tangled around the Side Brushes, or manually remove the obstacles and restart.
4	DEEBOT returns to the Docking Station before it finishes cleaning.	When battery power gets low, DEEBOT automatically switches to Return to Charger Mode and returns to the Docking Station to recharge itself.	This is normal. No solution necessary.
		Working time varies according to floor surface, room complexity and the selected Cleaning Mode.	This is normal. No solution necessary.



## 5. Troubleshooting

No.	Malfunction	Possible Causes	Solutions
5	DEEBOT will not clean automatically at scheduled time.	Intelligent Scheduling or Time Scheduling function is cancelled.	Please refer to section 3.4 for details.
		DEEBOT is powered OFF.	Power ON DEEBOT.
		The robot's battery is low.	Keep DEEBOT powered ON and on the Docking Station to make sure it has full battery to work at any time.
		The robot's Suction Intake is blocked and/or its components are tangled with debris.	Turn the robot's power OFF, clean the Dust Bin and invert the robot. Clean the robot's Suction Intake and Side Brushes.
6	DEEBOT misses cleaning area.	The cleaning area needs tidying up.	Please remove small objects from the floor, and tidy up the cleaning area before DEEBOT starts cleaning.
7	Remote Control failure (effective control range of Remote Control is 5m (16').	The batteries in the Remote Control need to be replaced.	Replace with new batteries making sure they are installed correctly.
		DEEBOT is powered OFF or the robot's battery is low.	Make sure DEEBOT is powered ON and fully charged.
		The infrared signal cannot be transmitted because the Infrared Emitter on Remote Control or the Infrared Receiver on DEEBOT is dirty.	Use clean dry cloth to wipe the Infrared Emitter on Remote Control and the Infrared Receiver on DEEBOT.
		There is other equipment interfering with the infrared signal to DEEBOT.	Avoid using the Remote Control near other equipment using infrared signals.
8	The water is not coming out of the Reservoir when DEEBOT is mopping.	The Magnet on the Cleaning Cloth Plate comes off.	Please contact Customer Service.
		The Reservoir runs out of water.	Add water into the Reservoir.
		The water outlets on the bottom of DEEBOT are clogged.	Check the water outlets on the bottom and clean.