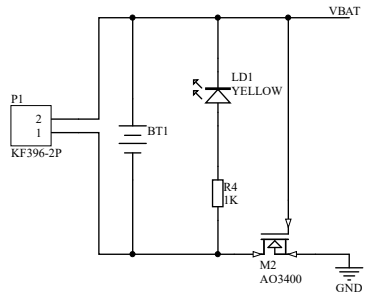
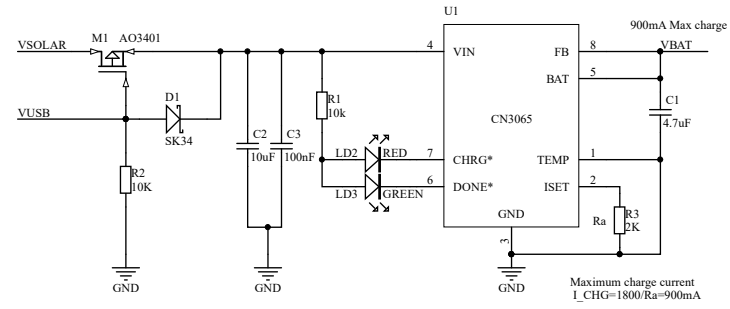


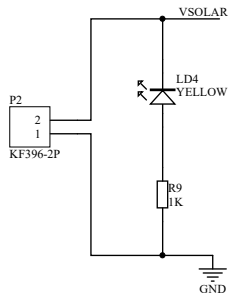
Battery input



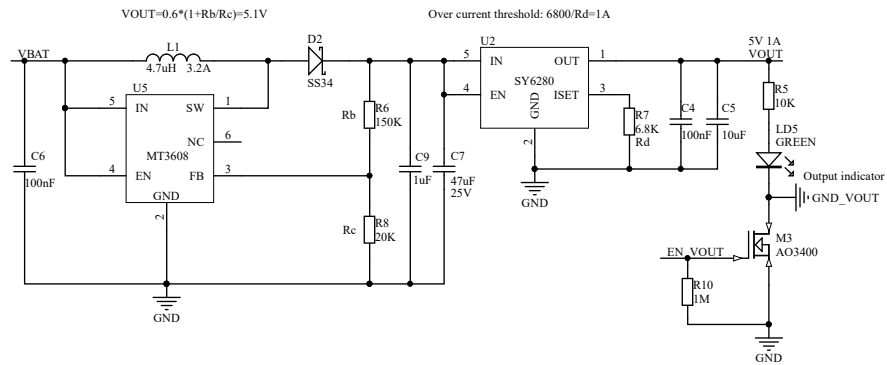
CN3065 solar power charge



Solar panel input



MT3608 DC-DC boost 5V



USB and headers I/O

