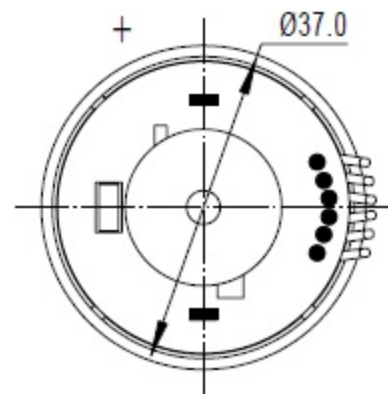
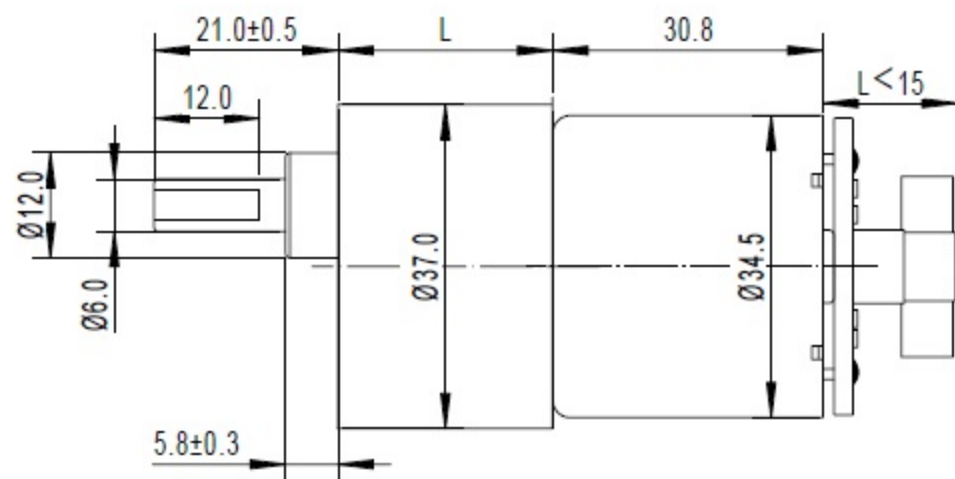
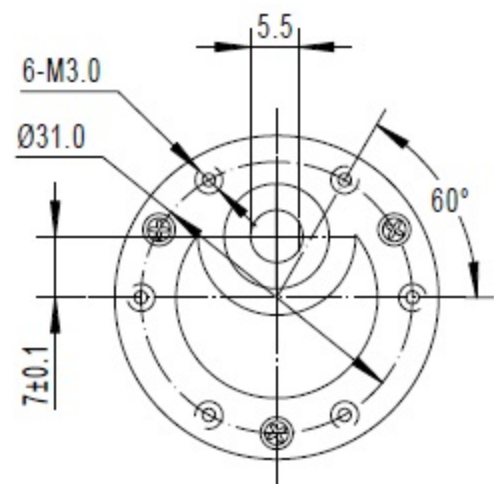


37GB-3530-EN MOTOR



ELECTRICAL CHARACTERISTICS

| CHARACTERISTICS | SYMBOL | TEST CONDITIONS | MIN. | REF. | MAX. | UNITS |
|-----------------|--------|---------------------|------|------|------|-------|
| Input Voltage | Vcc | - - - | 4.5 | - | 24 | V |
| Output Current | Ice | Vcc=12V; Gauss<-170 | - | 0.1 | 20 | mA |