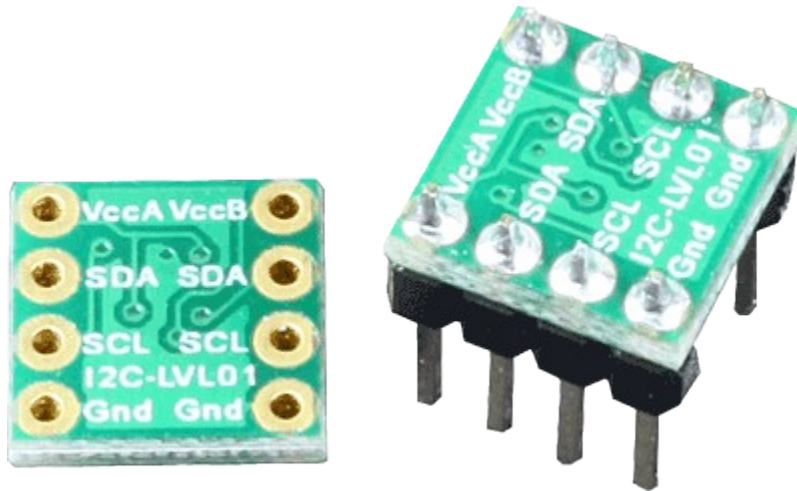


I2C-LVL01 I2C Level Translator

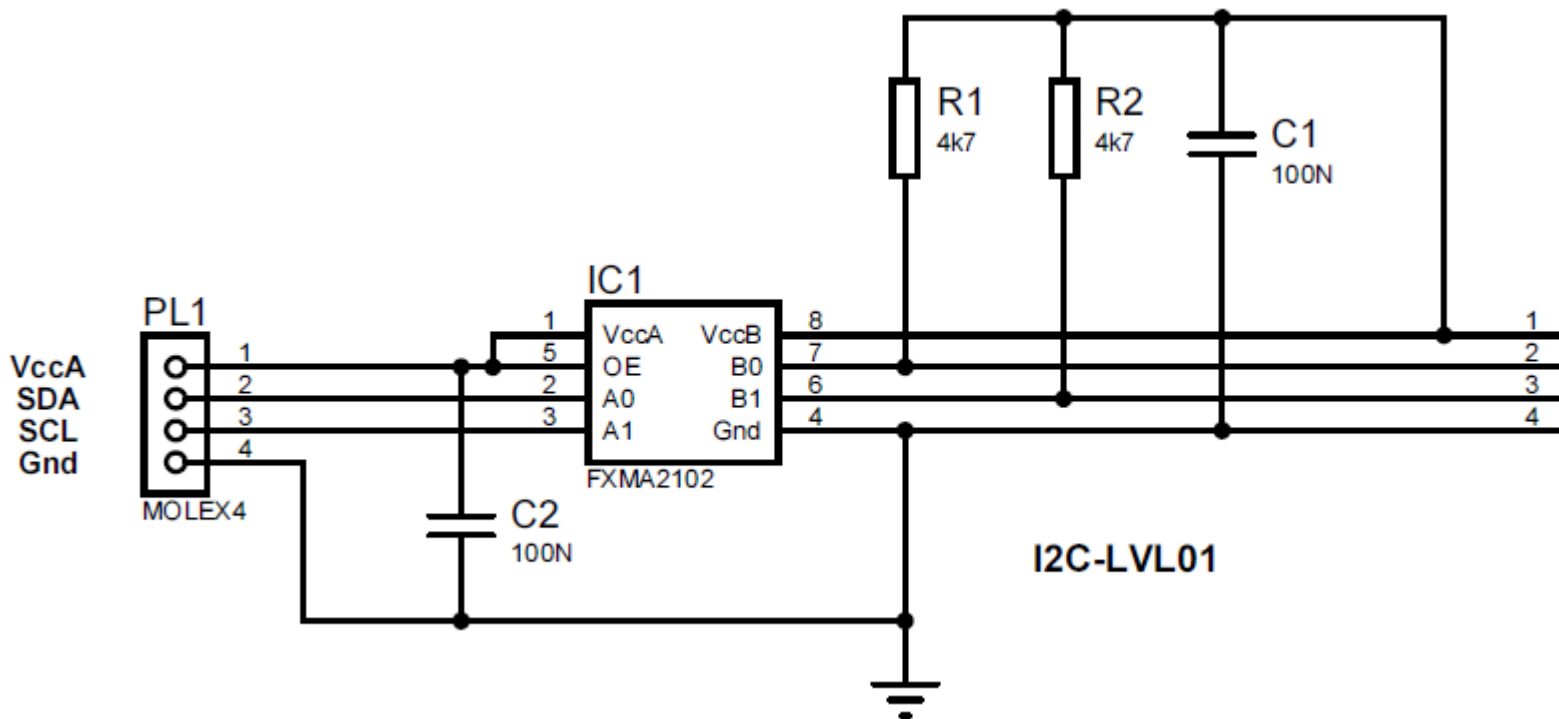
Technical Documentation



Description

The I2C-LVL01 performs bi-directional I2C level conversion between any two levels: 1.65v to 5.5v. The connection pins are on a standard 0.1" spacing, 0.3" apart.

Schematic

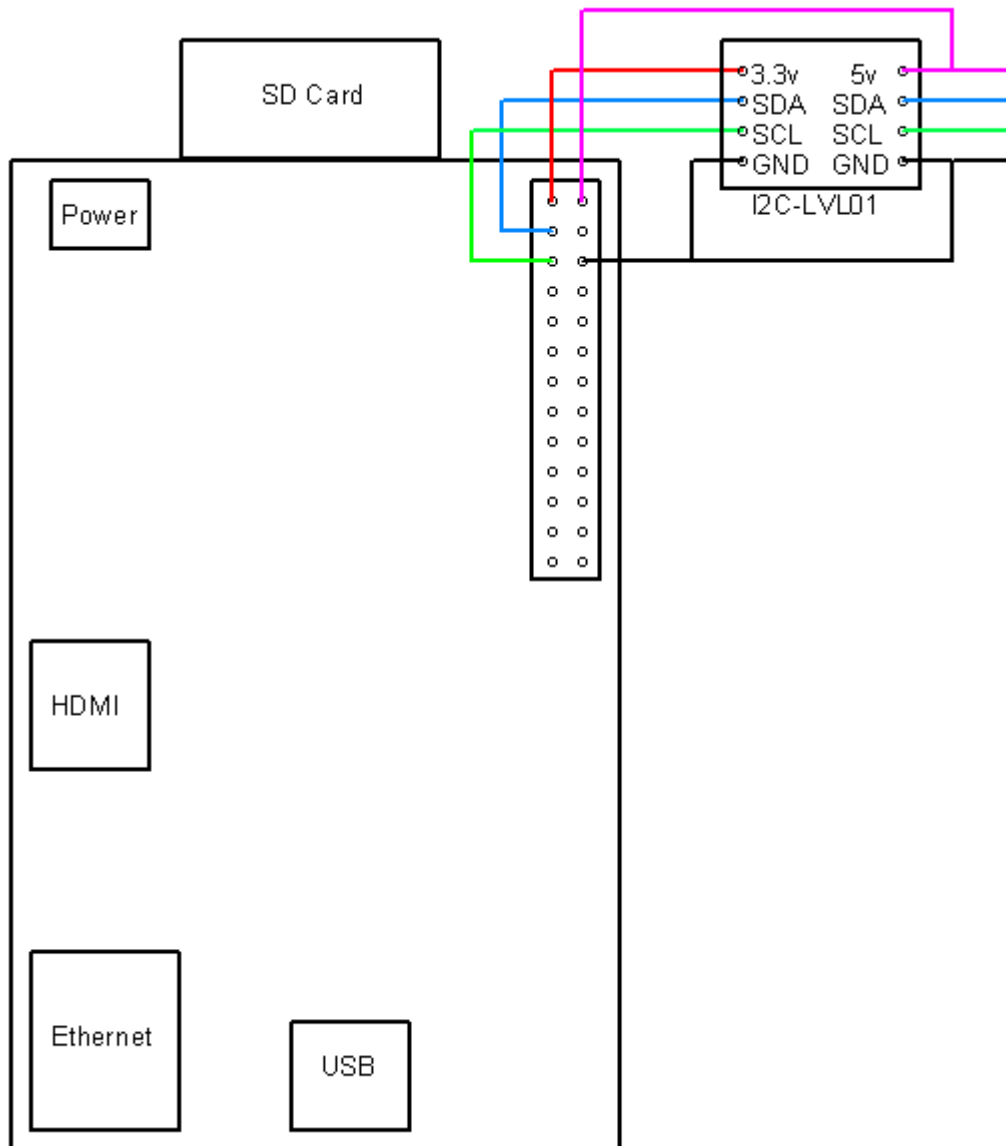


PortA, (PL1) is the controller side as this port does not include pull-up resistors. These are normally fitted to your controller.

PortB (PL2) is the slave device side and includes 4k7 pull-up resistors.

Example Connection

This example connection shows how to connect the I2C-LVL01 to the Raspberry Pi to provide 5v I2C signals.



Operating Temperature

-40C to +85C