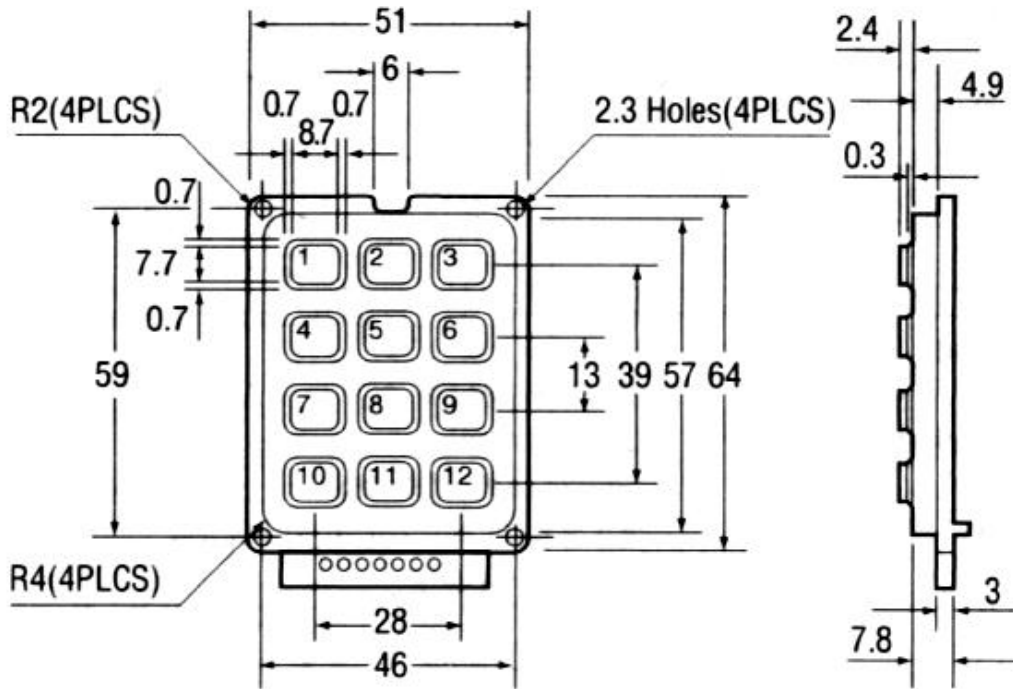


Switches

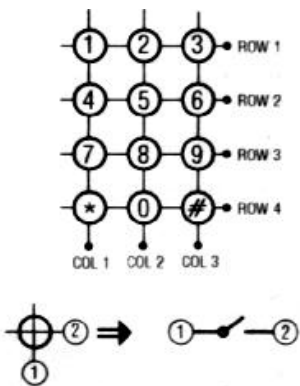
Data Entry Keypad

A low profile 3 x 4 keypad of compact size suitable for use on hand held and other small equipment. A single rectangular cut is required to fit the keypad through the front panel and four mounting holes are required for the retention of the keypad. The conductive rubber contacts require a low operating force, but have a positive action to give the operator feedback. Connections are terminated to solder pads on the PCB at the lower edge of the switch.

Dimensions (mm):



Circuit Diagram



OUTPUT ARRANGEMENT	
Output pin no.	Symbols
1	
2	Col. 2
3	Row 1
4	Col. 1
5	Row 4
6	Col. 3
7	Row 3
8	Row 2
9	
10	

Specifications:

Contact rating:	20mA, 24VDC max.
Contact bounce:	Less than 10ms
Contact resistance:	Less than 200Ω
Mechanical life:	> 1 x 10 ⁶ operations
Operating temperature:	-20°C to +60°C