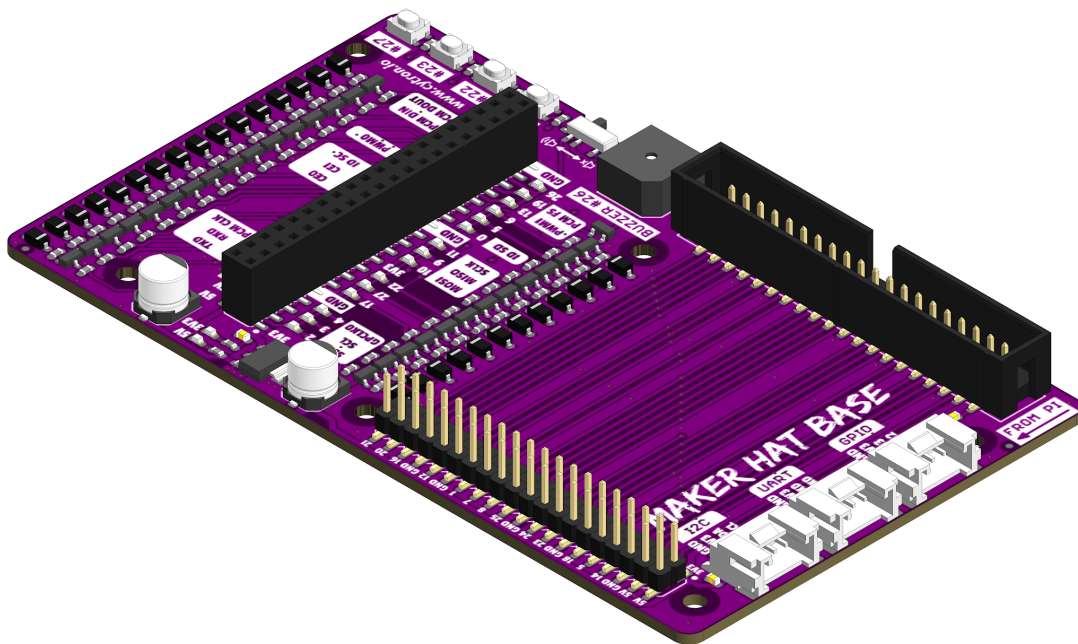




# **MAKER-HAT-BASE**

## **HAT & GPIO Extension for Raspberry Pi 400**

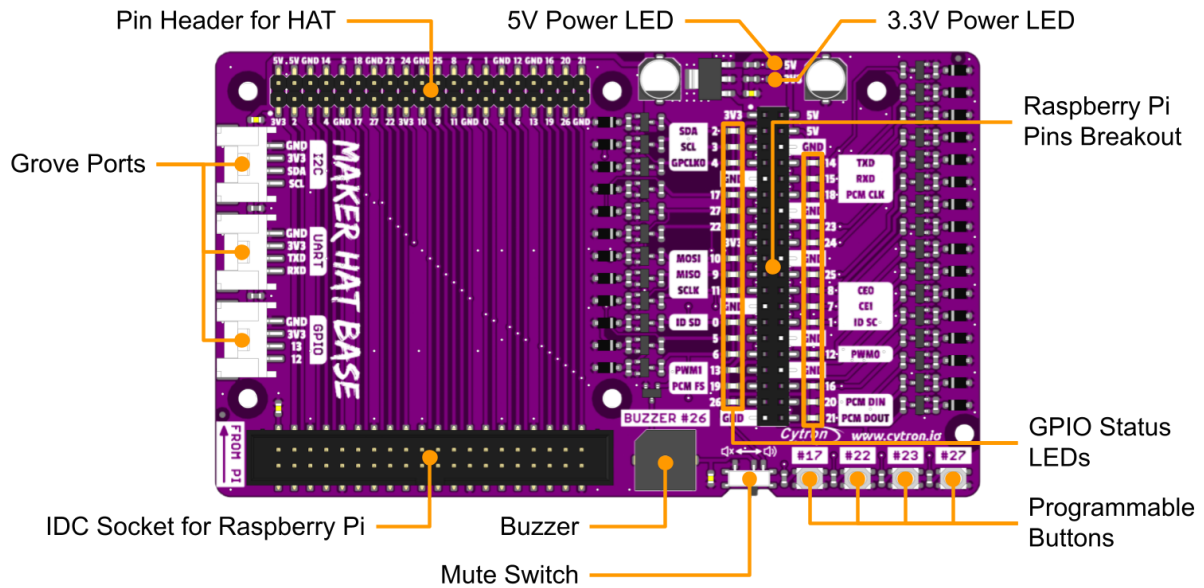


## **Datasheet**

Rev 1.0  
September 2021

Information in this publication regarding device applications and the like is intended through suggestion only and may be superseded by updates. It is your responsibility to ensure that your application meets with your specifications. No representation or warranty is given and no liability is assumed by Cytron Technologies Incorporated with respect to the accuracy or use of such information or infringement of patents or other intellectual property rights arising from such use or otherwise. Use of Cytron Technologies's products as critical components in life support system is not authorized except with express written approval by Cytron Technologies. No licenses are conveyed, implicitly or otherwise, under any intellectual property rights.

# 1. BOARD LAYOUT & FUNCTION

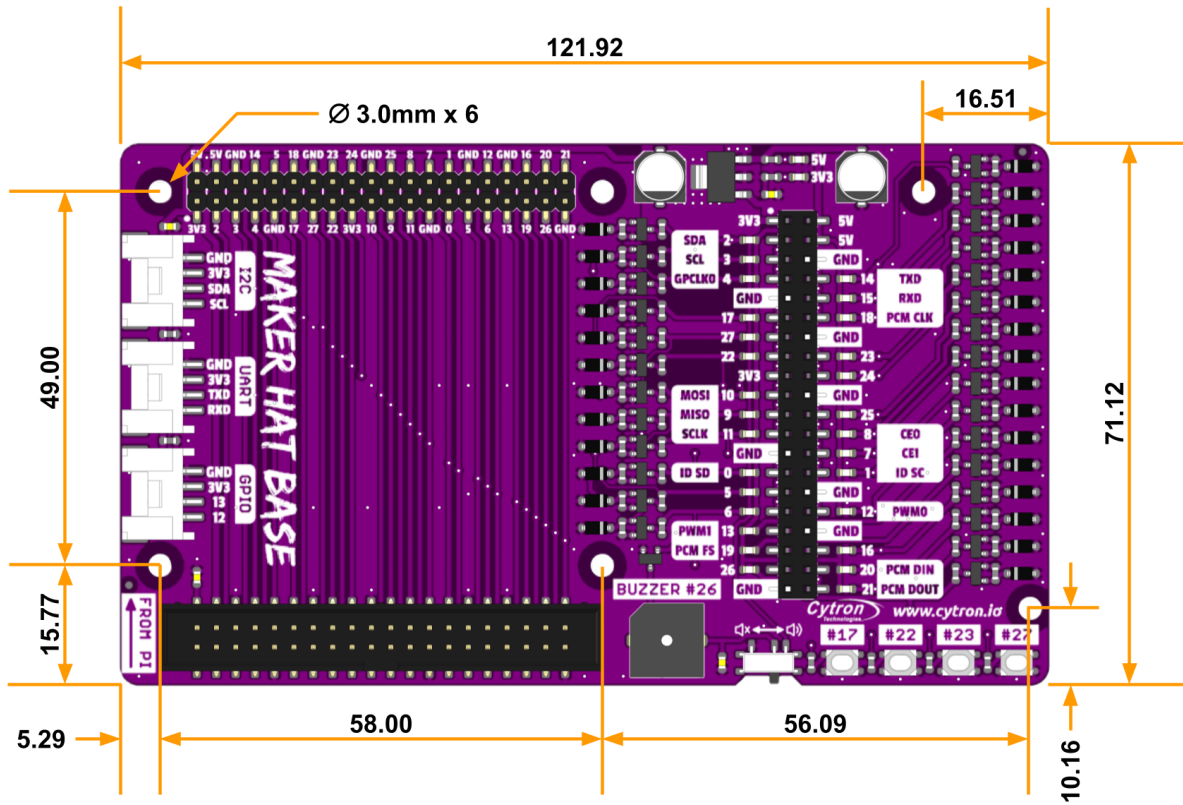


Function	Description
<b>Pin Header for HAT</b>	Stack the Raspberry Pi HAT here.
<b>Grove Ports</b>	Connect to Grove modules. Pinout is as follow: <ul style="list-style-type: none"> <li>● I2C Grove Port:               <ul style="list-style-type: none"> <li>○ SCL - GPIO3</li> <li>○ SDA - GPIO2</li> </ul> </li> <li>● UART Grove Port:               <ul style="list-style-type: none"> <li>○ RXD- GPIO15</li> <li>○ TXD- GPIO14</li> </ul> </li> <li>● GPIO Grove Port:               <ul style="list-style-type: none"> <li>○ GPIO12</li> <li>○ GPIO13</li> </ul> </li> </ul>
<b>IDC Socket for Raspberry Pi</b>	Connect to Raspberry Pi via 40-way ribbon cable.
<b>Buzzer</b>	Programmable fixed tone buzzer (resonant frequency: 2700±300Hz). Connected to GPIO26 internally.
<b>Mute Switch</b>	Used to mute the buzzer if GPIO26 is used for other purposes.
<b>Programmable Buttons</b>	Active low push buttons. Connected to GPIO17, 22, 23 and 27 internally. Please enable the internal pull-up if you wish to use these buttons.
<b>GPIO Status LEDs</b>	LED indicator for Raspberry Pi GPIO. Turn on when the GPIO state is high.
<b>Raspberry Pi Pins breakout</b>	Breakout of the Raspberry Pi pins. Can be used with jumper cable to connect to other components.
<b>3.3V Power LED</b>	LED indicator for 3.3V. Turn on when powered up.
<b>5V Power LED</b>	LED indicator for 5V. Turn on when powered up.

## 2. SPECIFICATIONS

No	Parameters	Min	Max	Unit	
1	5V Supply	Supplied by Raspberry Pi		-	
2	3.3V Supply	Voltage	3.235	3.365	V
		Current	-	800	mA
3	GPIO Specification	Refer to Raspberry Pi		-	

### 3. DIMENSION



All dimensions are in mm.

*Prepared by:*

***Cytron Technologies Sdn Bhd***

[www.cytron.io](http://www.cytron.io)

No. 1, Lorong Industri Impian 1,  
Taman Industri Impian,  
14000 Bukit Mertajam,  
Penang, Malaysia.

*Tel:* +604 - 548 0668

*Fax:* +604 - 548 0669

*Email:*

[support@cytron.io](mailto:support@cytron.io)

[sales@cytron.io](mailto:sales@cytron.io)