



SPG30 Series

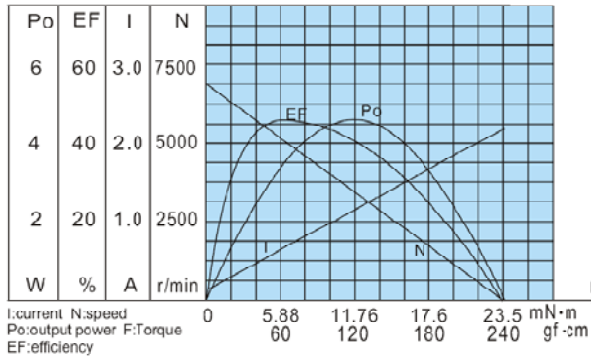


Output Power: 1.1W

Weight: ~160g

Typical applications: Labal printers, auto shutter, welding machines, water meter IC card, grill, oven, cleaning machine, garbage disposers, household appliances, slot machines, money detector, automatic actuator, coffee machine, towel disposal, lighting, coin refund devices, peristaltic pump.

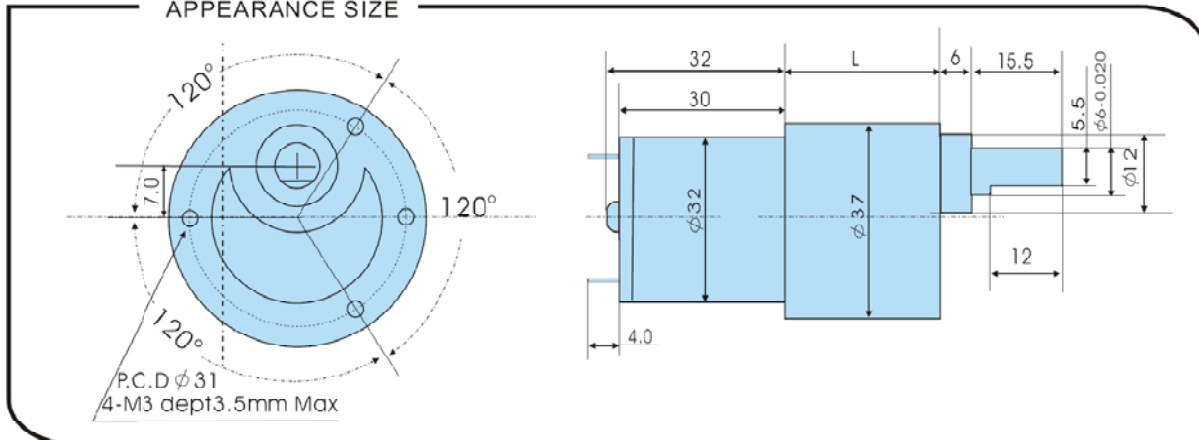
MOTOR CHARACTERISTICS



MOTOR TORQUE/SPEED/CURRENT

Rated voltage	12VDC
No load speed	7000r/min
No load current	70mA
Rated torque	60gf · cm 5.88mN · m
Rated current	410mA
Rated speed	5200r/min
Stall torque	240gf · cm 23.5mN · m
Stall current	1.8A

APPEARANCE SIZE



Order Option

Order Code	Input Voltage	Rated		Weight (g)	Power (w)	Diameter (mm)	L (mm)
		Speed (RPM)	Torque (mN.m)				
SPG10-30K	6	440	29.4	10	-	12	24
SPG10-150K	6	85	107.9	10	-	12	24
SPG10-298K	6	45	176.5	10	-	12	24
SPG20-50K	12	130	58.8	60	0.6	27.2	-
SPG30-20K	12	185	78.4	160	1.1	37	22
SPG30-30K	12	103	127.4	160	1.1	37	22
SPG30-60K	12	58	254.8	160	1.1	37	25
SPG30-150K	12	26	588	160	1.1	37	27
SPG30-200K	12	17	784	160	1.1	37	27
SPG30-300K	12	12	1176	160	1.1	37	27
SPG50-20K	12	170	196	300	3.4	37	23
SPG50-60K	12	56	588	300	3.4	37	26
SPG50-100K	12	34	980	300	3.4	37	26
SPG50-180K	12	17	1960	300	3.4	37	28