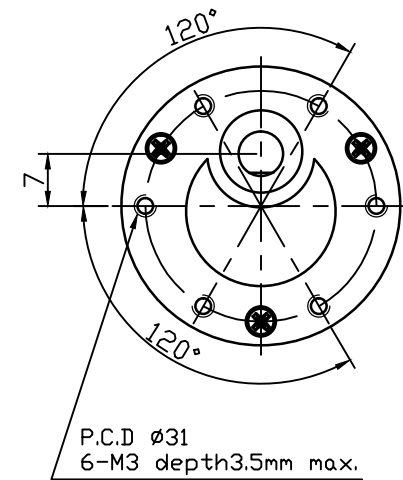
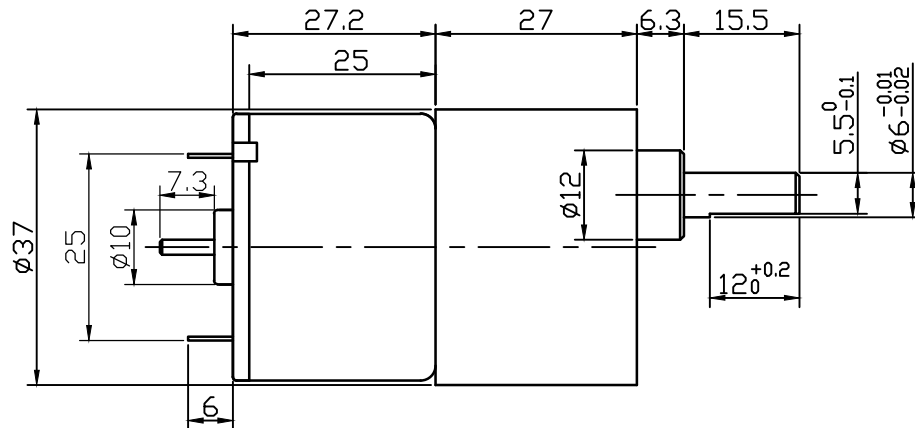


图号 (Drawing NO.)	SG01 (270KAF) - 3P001-000	型号 (Model No.)	SPG30-270K	电压 (Voltage)
------------------	---------------------------	----------------	------------	--------------

图纸 Drawing:	版次: 1.0	12V DC		
----------------	---------	--------	--	--



客户确认 (Customer APP.):

参数 Details:	减速电机参数 (Geared motor specification):		注意事项 (Notes):
	空载电流 (No Load Current) (mA):	≤ 90	<p>1, 焊接作业请在短时间内实行。(推荐: 焊接头的温度340~400度, 2秒内实行) Please conduct the welding work in a short time.(Recommendation: With the soldering iron tip at a temperature of 340~400°C, within 2 seconds)</p> <p>2, 在安装过程中不应使减速电机受到冲击、跌落。不允许直接在减速器出轴上敲打或压配。Prevent gear motor from being shocked or dropping in mounting process. It is prohibited to strike and crush directly on reducer output shaft.</p> <p>3, 安装螺丝请先确认外观图所标示之形式及长度尺寸。Install the screws after first checking the taps and tap depth against the dimensions entered on the exterior drawing.</p> <p>4, 请小心使用, 勿使黏接剂借由输出轴流入轴内。 It is necessary to be careful that the adhesive does not spread along the shaft and flow into the bearing.</p> <p>5, 请不要在安装零件时为了调整位置而从输出轴方向去回转头马达。 Do not turn a geared motor by its output shaft when, for example, arranging its position so as to install it.</p>
	空载转速 (No Load Speed) (r. p. m):	16.7 ± 1.6	
	额定力矩 (Rated Load Torque) (kgf. cm):	14	
	额定电流 (Rated Current) (mA):	≤ 650	
	额定转速 (Rated Load Speed) (r. p. m):	12.5 ± 1	
	堵转电流 (Stall Current) (mA):		
	堵转力矩 (Stall Torque) (kgf. cm):		
旋转方向 (Rotation Direction):	CW/CCW		

备注 (Remarks):

Draw:	Rev:	App.:
-------	------	-------