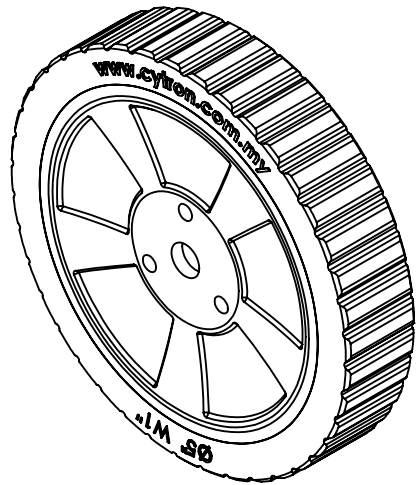
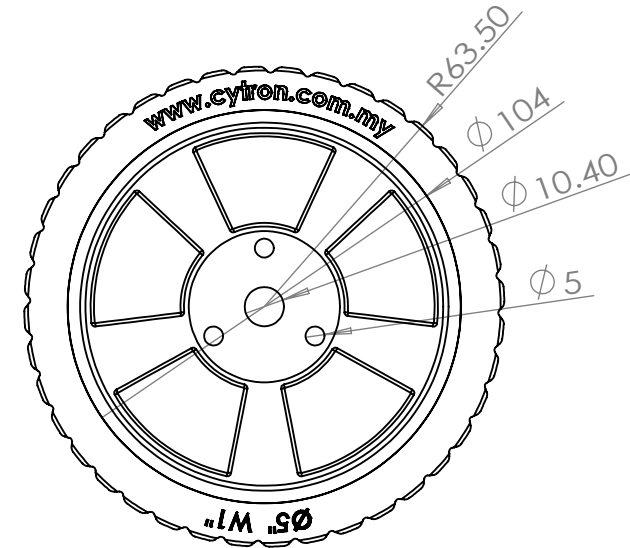
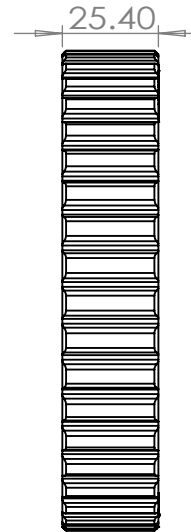
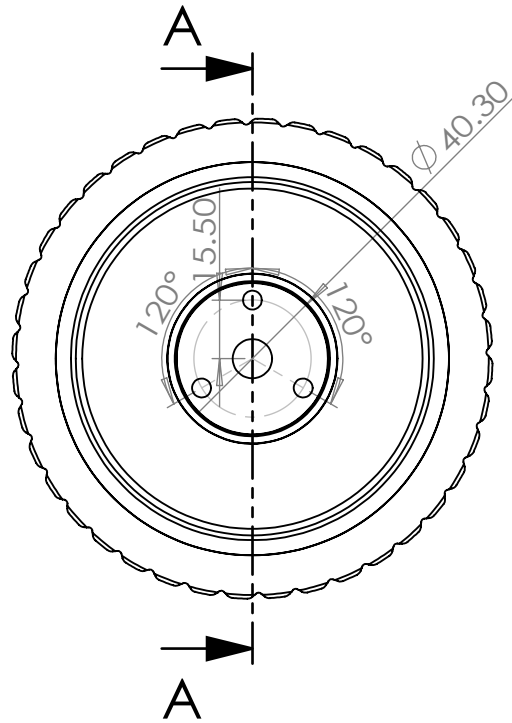


SECTION A-A



TITLE:		5 Inch Wheel		A4	
				SHEET 1 OF 1	
UNIT:	SCALE:	DATE:	REVISION:		
MM	1:2	3/3/2015	1.0		