

1 2 3 4 5 6

A

A

B

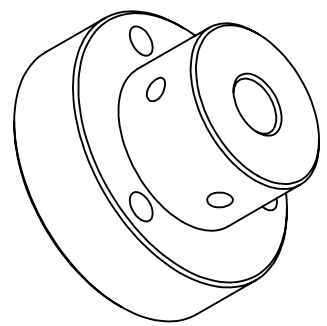
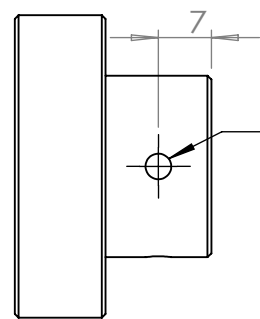
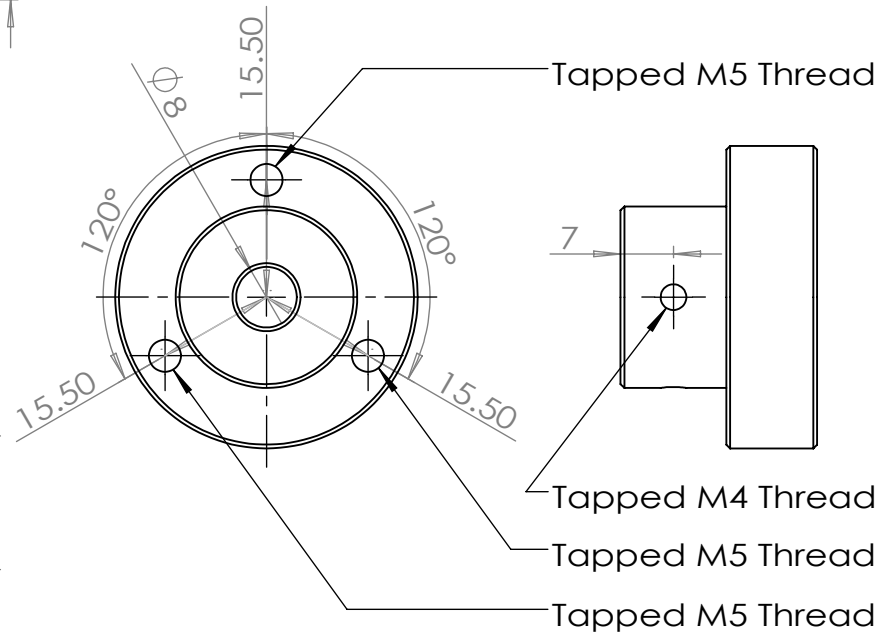
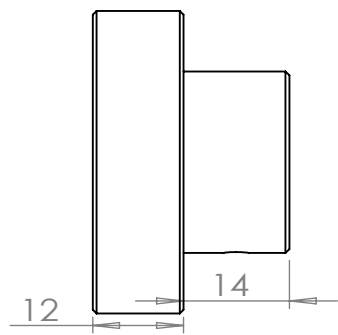
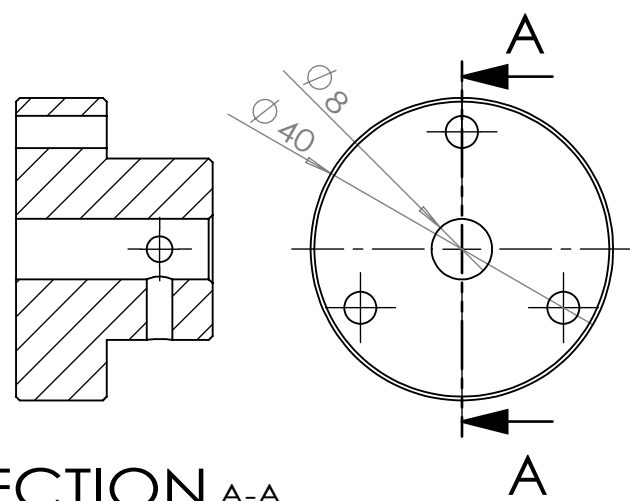
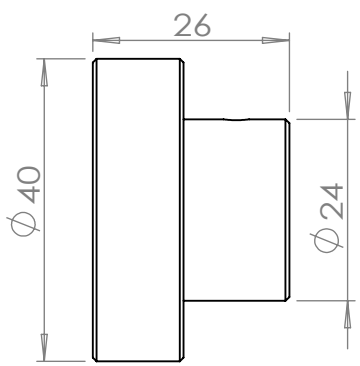
B

C

C

D

D



TITLE:		A4	
BUSH - STEEL - 8MM		SHEET 1 OF 1	
UNIT:	SCALE:	DATE:	REVISION:
MM	1:1	24/2/2015	1.0

1 2 3 4 5 6